



For the complete line of specialtyLED[®] products, visit us online at barronltg.com or call 800.533.3948.

Model: _____ Date: _____
Accessories: _____
Job Name: _____ Type: _____

XFMR-XX-60

60W · 12V OR 24V SINGLE OUTPUT LED POWER SUPPLY

FEATURES

- Universal AC input / Full range (Up to 264VAC)
- High efficiency
- Protections: short circuit/overload/over voltage/over temperature
- Built-in active PFC function
- IP67 design for indoor or outdoor installations
- UL1310 Class 2 power unit
- Pass LPS
- Cooling by free air convection
- 100% full load burn-in test
- High reliability
- Suitable for LED lighting and moving sign applications ^{Note: 5}
- Compliance to worldwide safety regulations for lighting ^{Note: 5}
- Suitable for dry/damp/wet locations
- 2 year warranty



SPECIFICATION

	Model	XFMR-12-60	XFMR-24-60
OUTPUT	DC VOLTAGE	12V	24V
	RATED CURRENT	5A	2.5A
	CURRENT RANGE	0 ~ 5A	0 ~ 2.5A
	RATED POWER	60W	60W
	RIPPLE & NOISE (max.) ^{Note: 1}	120mVp-p	120mVp-p
	VOLTAGE TOLERANCE ^{Note: 2}	±5.0%	
	LINE REGULATION	1.0%	
	LOAD REGULATION	±2.0%	
	SETUP, RISE TIME ^{Note: 3}	500ms, 20ms/230VAC, 500ms, 20ms /115VAC at full load	
HOLD TIME (typ.)	50ms/230VAC, 16ms /115VAC at full load		
INPUT	VOLTAGE RANGE ^{Note: 4}	90 ~ 264VAC 127 ~ 370VDC	
	FREQUENCY RANGE	47 ~ 63Hz	
	EFFICIENCY(Typ.)	83%	86%
	AC CURRENT	1.2A/115VAC 1A/230VAC	
	INRUSH CURRENT(max.)	COLD START 30A/115VAC 60A/230VAC	
	LEAKAGE CURRENT	0.25mA / 240VAC	
PROTECTION	OVERLOAD	110 ~ 150% rated output power Hiccup mode, recovers automatically after fault condition is removed	
	OVER VOLTAGE	13.8 ~ 16.2V	27.6 ~ 32.4V
		Shut down o/p voltage, re-power on to recover	
ENVIRONMENT	WORKING TEMP.	-22 ~ 158°F (Refer to "Derating curve")	
	WORKING HUMIDITY	20 ~ 90% RH non-condensing	
	STORAGE TEMP., HUMIDITY	-40 ~ 176°F , 10 ~ 95% RH	
	TEMP. COEFFICIENT	±0.03%/°F (32 ~ 122°F)	
	VIBRATION	10 ~ 500Hz, 2G 10min./1cycle, period for 60min. each along X, Y, Z axes	

SPECIFICATIONS ARE SUBJECT TO CHANGE WITHOUT NOTICE

SPECIFICATION (cont.)

	Model	XFMR-277-12-20	XFMR-277-24-20
SAFETY & EMC	SAFETY STANDARDS	UL1310 Class 2, CAN/CSA C22.2 No. 223-M91, IP67 approved, design refer to TUV EN60950-1, EN61347-2-13	
	WITHSTAND VOLTAGE	I/P-O/P:3KVAC	
	ISOLATION RESISTANCE	I/P-O/P:>100M Ohms / 500VDC / 77°F / 70% RH	
	EMI CONDUCTION AND RADIATION	Compliance to EN55022 (CISPR22) Class B	
	HARMONIC CURRENT	Compliance to EN61000-3-2 Class 2, EN61000-3-3	
	EMC IMMUNITY	Compliance to EN61000-4-2,3,4,5,6,8,11, EN55024, light industry level, criteria A	
OTHERS	MTBF	732Khrs min. MIL-HDBK-217F (77°F)	
	DIMENSIONS	6.39in * 1.67in* 1.25in (L*W*H)	
	PACKING	0.88LBS; 32pcs/30.4LBS/0.656CUFT	

NOTES

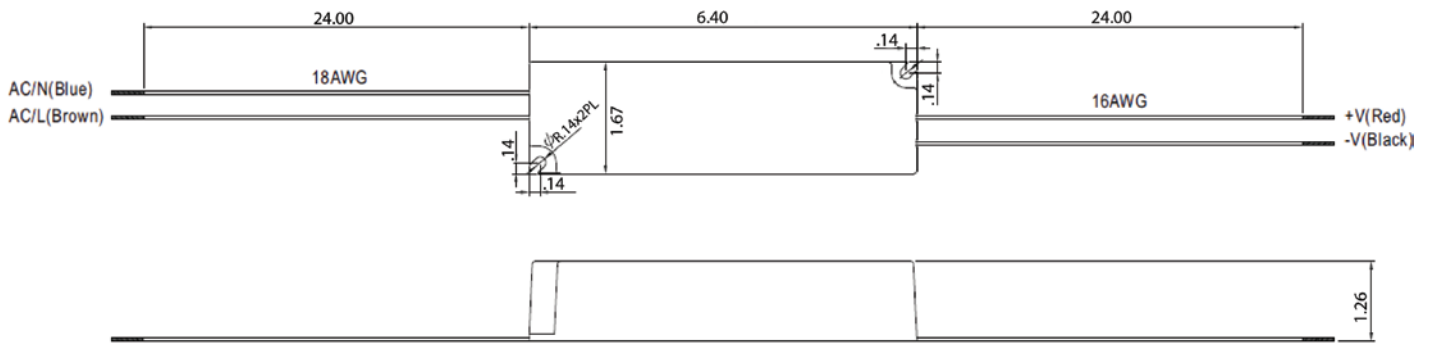
- Ripple & noise are measured at 20MHz of bandwidth by using a 12" twisted pair-wire terminated with a 0.1uf & 47 uf parallel capacitor.
- Tolerance: includes set up tolerance, line regulation and load regulation.
- Length of set up time is measured at first cold start. Turning ON/OFF the power supply may lead to increase of the set up time.
- Derating: may be needed under low input voltage, please check the static characteristic for more details.
- In the European market this product is only suitable for LED lighting applications that don't have to comply with the harmonic current requirements of EN61000-3-2- Class C

ATTENTION

- All parameters NOT specifically mentioned are measured at 230VAC input, rated load and 77°F ambient temperature.
- The power supply is considered as a component that will be operated in combination with final equipment. Since EMC performance will be affected by the complete installation, the final equipment manufacturers must re-qualify EMC Directive on the complete installation again.
- Direct connecting to LEDs is suggested, but is not suitable for using additional drivers.

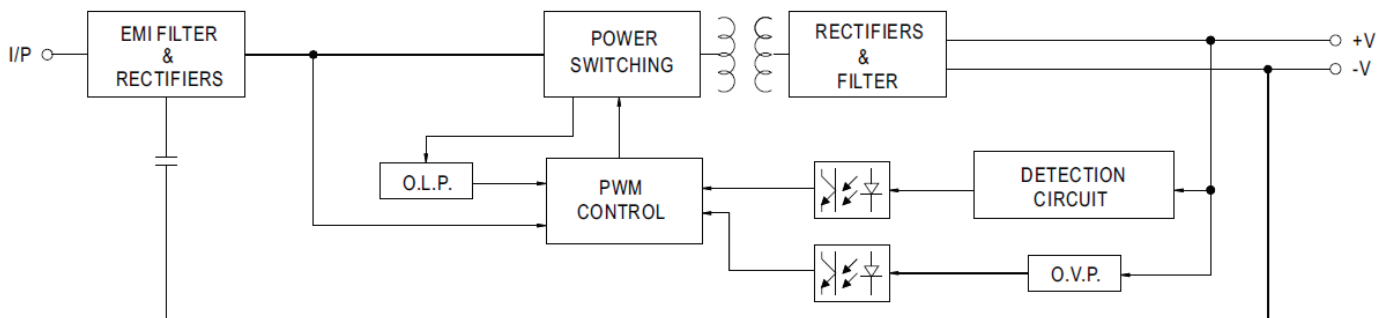
MECHANICAL SPECIFICATION

UNITS: INCHES

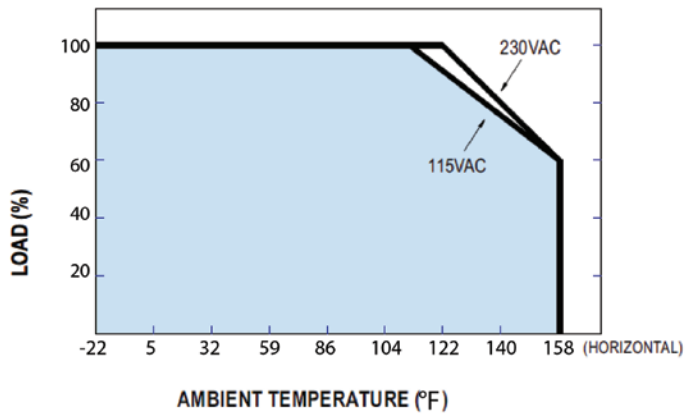


BLOCK DIAGRAM

fosc : 65KHz



DERATING CURVE



STATIC CHARACTERISTICS

