

DESCRIPTION

Similar to our already popular FBT-RGB, the WAVE-RGB offers additional flexibility to your creative designs due to its back to front bending orientation. Corners and angles can now be installed seamlessly with the Wave-RGB. The Wave-RGB Series combines constant current, color blending technology with a flexible polyvinyl chloride housing to create a durable, extremely bright, uniform illumination with color versatility that makes it perfect for any custom design application.

The Wave-RGB has a low square profile that allows for a tighter, more precise viewing pattern while providing increased lumen output due to its internal optic.

Features

- Energy efficient LEDs consume 3.66W/ft. or less, saving up to 70% or more over traditional neon
- Indoor and outdoor rated
- Flexible PVC housing can conform to almost any angle, virtually unbreakable
- Opaque jacket housing with color-changing LEDs every 0.04"
- Uniform lighting with no "hot-spots"

LED Characteristics

- Nichia SMD tri-color LEDs
- L70 Lumen maintenance: 50,000 hours
- 33 LEDs per foot

Electrical

- Voltage: 24VDC
- Constant current drivers available for 120-277VAC, 50/60Hz
- Operating product length: 65' when power is supplied to both ends

Product Specifications

- Flexible, shatterproof, cool to touch, UV inhibited, PVC housing
- 4 Wire, RGB color, flexible border tubing
- Roll length: 65 feet (Maximum)
- Cutting increment: 3.28"
- Mounting: Mounting clips (WAVE-RGB-MC) or mounting channel available in standard (WAVE-RGB-LCH) or locking model (WAVE-RGB-LCH-L)
- Dimensions: 0.63" wide by 0.63" high
- Viewing angle: 160°

Testing & Compliance

- UL2108/IP68/LM-79/LM-80/RoHS/CE/Exceeds ANSI C78.377A
- California Title 24 compliant
- Operating temperature: -30°C to 60°C (-22°F to 140°F)

Warranty

Any component that fails due to a manufacturing defect is guaranteed for five years. The warranty does not cover physical damage, abuse or instances of uncontrollable natural forces. See the full specialtyLED warranty document for detailed information. (Terms and conditions apply)

Model: _____ Date: _____
Accessories: _____
Job Name: _____ Type: _____



APPLICATIONS

- Borders
- Cove lighting
- Bridges
- Gazebos
- Window Frames
- Roof lines
- Signage
- Accent lighting
- Display Cases

Ordering Information (Example: WAVE-RGB-65-24V)

| Series | Length | Voltage |
|----------|---------------------------------|-------------------------------|
| WAVE-RGB | 65 = 65 Feet | 24V ² = 24 Volt DC |
| | XX ¹ = Custom Length | |

Notes

¹ Custom lengths ordered specific to product cutting increments

² Requires transformer, ordered separately

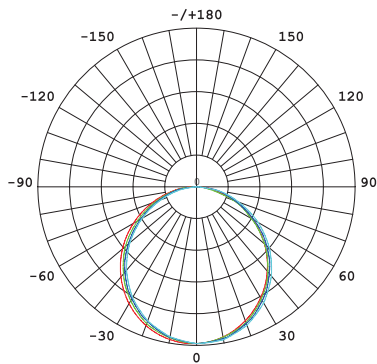
TECHNICAL / ILLUMINATION INFORMATION

| Color | Voltage | Rated Power W/ft | Cutting Increment | Max Run ¹ |
|--------------------|---------|------------------|-------------------|---|
| RGB Color Changing | 24VDC | 3.66 | 3.28" | 65' (When unit has power supplied at both ends) |

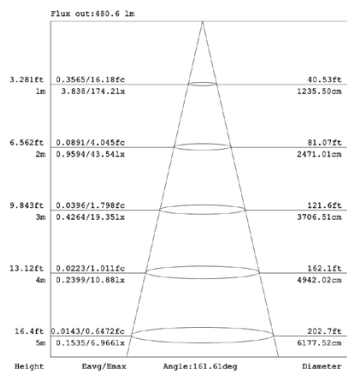
RGB ILLUMINATION INFORMATION

| Color | Wavelength nm | Lumens lm/ft |
|---------------|---------------|--------------|
| RED | 620-630 | 24.38 |
| GREEN | 520-530 | 57.91 |
| BLUE | 465-475 | 10.06 |
| WHITE (R+G+B) | | 96.93 |

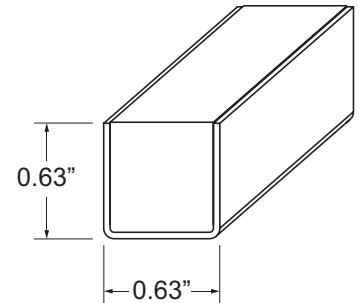
CANDLE POWER DISTRIBUTION



ILLUMINANCE CHARACTERISTICS



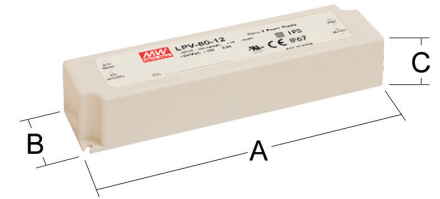
DIMENSIONS



24VDC NON-DIMMING TRANSFORMER ORDERING INFORMATION (ORDER AS SEPARATE LINE ITEM)

Example: XFMR-24-60

| Part Number | Description | Dimensions (AxBxC) |
|-------------|---|-----------------------|
| XFMR-24-20 | 24 Volt, 20 Watt, Class 2 Power Supply | 4.65" x 1.37" x 1.0" |
| XFMR-24-35 | 24 Volt, 35 Watt, Class 2 Power Supply | 5.8" x 1.57" x 1.18" |
| XFMR-24-60 | 24 Volt, 60 Watt, Class 2 Power Supply | 6.39" x 1.67" x 1.25" |
| XFMR-24-150 | 24 Volt, 150 Watt, Class 2 Power Supply | 8.74" x 2.67" x 1.52" |



Note: All transformers are to be installed per NEC requirements. Wire leads on the 24 volt product are 18 gauge. Transformer is to be mounted within 10 feet of product. If transformer is mounted more than 10 feet from product, voltage drop and maximum operating distances should be taken into account when making transformer selection.

ACCESSORIES (ORDER AS SEPARATE LINE ITEM)

| Part Number | Image | Description |
|----------------------|---|--|
| WAVE-RGB-LCR-24V-F1M |  | Seamless injection-molded line cord right feed, factory installed (IP68), 3.25" length F3M = 9.84" F5M = 16.40 |
| WAVE-RGB-LCL-24V-F1M |  | Seamless injection-molded line cord left feed, factory installed (IP68), 3.25" length F3M = 9.84" F5M = 16.40 |
| WAVE-RGB-EC-F |  | Seamless injection-molded end cap, factory installed |
| WAVE-RGB-SJ-F1M |  | Seamless injection-molded jumper, 3.28' length |
| WAVE-RGB-MC |  | Mounting Clip 0.75" x 0.6875" x 2" |
| RFX-DMX-CV-DECODER |  | Indoor 5050 RGB DMX decoder with RJ45 input, output 12-24V (needs DMX board, not included) INDOOR USE ONLY |
| NICOLAUDIE-POWER4M |  | 6VDC, 0.65A power adapter for NICOLAUDIE-STICK-KE-1 |

| Part Number | Image | Description |
|------------------------|--|--|
| WAVE-RGB-LCLBE-24V-F1M |  | Seamless injection-molded line cord bottom feed, factory installed, 3.25" length F3M = 9.84" F5M = 16.40 |
| WAVE-RGB-LCRBE-24V-F1M |  | Seamless injection-molded line cord bottom feed, factory installed, 3.25" length F3M = 9.84" F5M = 16.40 |
| WAVE-RGB-LCLSE-24V-F1M |  | Seamless injection-molded line cord left side feed, factory installed, 3.25" length F3M = 9.84" F5M = 16.40 |
| WAVE-RGB-LCRSE-24V-F1M |  | Seamless injection-molded line cord right side feed, factory installed, 3.25" length F3M = 9.84" F5M = 16.40 |
| WAVE-RGB-LCH |  | Aluminum Linear Channel 0.75" x 0.6875" x 3.28" |
| WAVE-RGB-LCH-L |  | Locking linear channel |
| RFX-4B-3CHRGB |  | DMX controller for sample purposes INDOOR USE ONLY |
| NICOLAUDIE-STICK-KE-1 |  | DMX controller, 1024 channels. INDOOR USE ONLY (requires the use of the NICOLAUDIE-POWER4M power adapter) |

CUSTOM ORDERING EXAMPLE (NON-DIMMING, 32' RUN)

Qty 1 WAVE-RGB Flexible Border Tube (WAVE-RGB-32-24V)

Qty 10 Linear Channel (WAVE-RGB-LCH)

Qty 1 Line Cord connector assembly (WAVE-RGB-LCR-24V-F1M)

Qty 1 End cap connector assembly (WAVE-RGB-EC-F)

Qty 1 Transformer (XFMR-24-150)