

Combining LED exit illumination with reliable LED lamp heads, this attractive low-profile design offers maintenance-free, long life dependable service. Easily mounts above doors and in restricted spaces to fit any application.

The **GUARDIAN G3** remote monitoring and reporting system from Exitronix simplifies code compliance and significantly reduces operating and maintenance costs by offering automated testing, remote monitoring and reporting of emergency fixture status from a centralized location. For standard fixtures without remote monitoring and reporting, [click here](#).

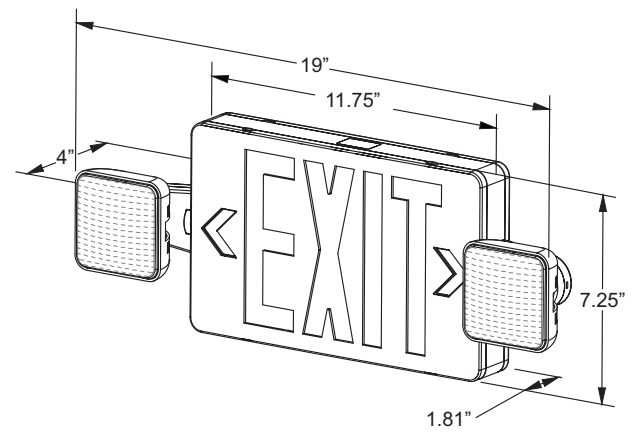
**FEATURES AND BENEFITS**

- Includes GUARDIAN G3 self-test/self-diagnostics with remote monitoring and reporting
- Two 0.75W LED fully adjustable lamp heads or optional 1.2W LED lamp heads (Option: HO)
- Universal - includes 2 faceplates, backplate & mounting canopy
- Optional remote capability up to 1.5W (not compatible with HO lamp head option), compatible with [JLED](#), [RL1-WP](#) or [RL52](#) remote lamps
- UL 924 Listed for Damp Locations
- California Energy Commission (CEC) compliant

**SPECIFICATIONS**

- Illumination:** Long-life, high-intensity, red or green LEDs with 0.75W LED lamp heads
- Housing:** Rugged, injection-molded UL 94 5VA flame retardant, high-temperature thermoplastic housing
- Input:** 120/277V Dual primary, 60Hz input
- Battery:** Maintenance-free NiCad battery
- Operating Temp:** 10°C to 40°C (50°F to 104°F)
- Run Time:** UL listed 90 minute emergency run time, 24 hour recharge time
- Electrical:** Brownout protection, low voltage disconnect, overload disconnect, short circuit disconnect, solid state transfer
- Legend:** Fully-illuminated 6" characters with 3/4" stroke, field selectable directional chevrons included for all configurations
- Mounting:** Ceiling or wall mount, includes canopy
- Finishes:** Black or White
- Options:** HO - (2) 1.2W LED lamp heads  
 R - 1.5W Remote Capable, compatible with [JLED](#), [RL1-WP](#) or [RL52](#) remote lamps
- Certifications:** UL 924 Listed for Damp Locations, Meets or exceeds NFPA 101 Life Safety Code, NEC, OSHA, and California Energy Commission (CEC) requirements
- Warranty:** Any component that fails due to a manufacturing defect is guaranteed for five years with a separate five year prorated warranty on the battery. The warranty does not cover physical damage, abuse or instances of uncontrollable natural forces. See the full Exitronix warranty document for detailed information. (Terms and Conditions Apply)

Model: \_\_\_\_\_ Date: \_\_\_\_\_  
 Accessories: \_\_\_\_\_  
 Job Name: \_\_\_\_\_ Type: \_\_\_\_\_



**ON-CENTER SPACING**

(Using multiple units mounted at a typical 7.5 foot height, 85/50/20 reflectance)

| Model            | # of LED Lamps | 3' Path, 6' Corridor | 6' Path, 6' Corridor |
|------------------|----------------|----------------------|----------------------|
| VLED-EL90L-G3    | 2              | 26'                  | 19'                  |
| VLED-EL90L-G3-HO | 2              | 37'                  | 31'                  |

Specifications are subject to change without notice. Installation must be performed in accordance with Barron Lighting Group installation instructions.

**ORDERING INFORMATION** Example: VLED-U-WH-EL90L-G3-R For standard fixtures without remote monitoring and reporting, [click here](#).

| Series  | Style         | Finish     | Type              | Self-test/Self-diagnostics   |
|---|---------------|------------|-------------------|--|
| VLED = Red  | U = Universal | BL = Black | EL90L = LED Lamps | G3 <sup>1</sup> = Self-test/Self-diagnostics, Remote Monitoring and Reporting                                      |
| GVLED = Green   |               | WH = White |                   | G3PRO <sup>1,2</sup> - Self-test/Self-diagnostics, Remote Monitoring and Reporting w/Automated Email Notifications |
| <b>Options</b> (Factory Installed)  |               |            |                   |  |
| HO <sup>3</sup> = (2) 1.2W LED Lamps  |               |            |                   |  |
| R <sup>4</sup> = 1.5W Remote Capable  |               |            |                   |  |
| <b>Accessories</b> <sup>5</sup> (Field installed, order as separate line item)                                  |               |            |                   |  |
| GTWY-PRIMARY - Primary Remote Reporting Gateway   |               |            |                   |  |
| GTWY-SECONDARY - Secondary Remote Gateway, Extends Range  |               |            |                   |  |
| ROUTER - Wireless Internet Router   |               |            |                   |  |
| <b>Notes:</b>   |               |            |                   |  |
| TAB10 - 10" Tablet, Includes Guardian G3 Software   |               |            |                   |  |
| TAB12 - 12" Tablet, Includes Guardian G3 Software   |               |            |                   |  |
| <sup>1</sup> Requires additional equipment, consult factory for details   |               |            |                   |  |
| <sup>2</sup> Requires internet connection, supplied by facility   |               |            |                   |  |
| <sup>3</sup> Not compatible with remote capable units (Option: R)   |               |            |                   |  |
| <sup>4</sup> Compatible with <a href="#">JLED</a> , <a href="#">RL1-WP</a> or <a href="#">RL52</a> remote lamps |               |            |                   |  |
| <sup>5</sup> Order as separate line item  |               |            |                   |  |
| WALLBRKXX - Tablet Wall Bracket (XX = Specify 10" or 12" Tablet)  |               |            |                   |  |
| WALLBRK-LOCKXX - Locking Wall Bracket (XX = Specify 10" or 12" Tablet)  |               |            |                   |  |
| STANDBRKXX - Tablet Stand (XX = Specify 10" or 12" Tablet)  |               |            |                   |  |
| STANDBRK-LOCKXX - Locking Tablet Stand (XX = Specify 10" or 12" Tablet)   |               |            |                   |  |

## ELECTRICAL RATINGS

| Model              | NiCad Battery   | Brownout | Low Voltage Disconnect | Overload Disconnect | Short Circuit Disconnect | Solid State Transfer | Input   |    |    |     | Output     |              |                   |
|--------------------|-----------------|----------|------------------------|---------------------|--------------------------|----------------------|---------|----|----|-----|------------|--------------|-------------------|
|                    |                 |          |                        |                     |                          |                      | VAC     | Hz | mA | W   | Lamp Heads | Lumen Output | Remote Capability |
| VLED-U-EL90L-G3    | 3.6V 900mAh     | Yes      | Yes                    | Yes                 | Yes                      | Yes                  | 120/277 | 60 | 30 | 2.8 | 2 x 0.75W  | 150lm        | n/a               |
| VLED-U-EL90L-G3-R  | 2 x 3.6V 900mAh | Yes      | Yes                    | Yes                 | Yes                      | Yes                  | 120/277 | 60 | 33 | 3.8 | 2 x 0.75W  | 150lm        | 3.6V 1.5W         |
| VLED-U-EL90L-G3-HO | 2 x 3.6V 900mAh | Yes      | Yes                    | Yes                 | Yes                      | Yes                  | 120/277 | 60 | 33 | 3.8 | 2 x 1.2W   | 250lm        | n/a               |

## CONSTRUCTION

The VLED-EL90L-G3 Series is constructed of a precision-molded housing utilizing 5VA flame-retardant, corrosion-proof thermoplastic. Units resist denting, peeling, scratching and corrosion. Black or White finish.

## ILLUMINATION

Illumination of the VLED-EL90L-G3 Series is achieved with high-output, long-lasting red or green LEDs. An exclusive color matched diffuser eliminates hot spots and striations, providing optimal light output. LEDs are a maintenance-free solution.

## EMERGENCY LAMPS

Two (2) 0.75W LED lamps standard. Units with HO option have two (2) 1.2W lamps.

## ELECTRICAL

### Input

Dual-voltage input 120/277VAC @ 60Hz.

### Nickel Cadmium Battery – NiCad

Exitronix nickel cadmium batteries are maintenance-free and continue to perform in a vast temperature range from 10°C to 40°C (50°F to 104°F).

### Emergency

The VLED-EL90L-G3 Series exit will operate for a minimum of 90 minutes during a loss of power with a 24 hour maximum recharge time for the battery.

### Damp Location Rated

Damp Location Rated fixture that is normally or periodically subject to condensation of moisture in, on or adjacent to, and includes partially protected locations.

### Test Button

The test button is easy to locate and provides manual verification of the transfer circuit and emergency backup.

## INSTALLATION

Simple snap together universal design allows for faceplate and backplate to be fully interchangeable. Mounting canopy is supplied with all signs and snaps into enclosure with two positive locking tabs.

## GUARDIAN G3 Self-test/Self-diagnostics, Remote Monitoring and Reporting

The circuit continuously monitors the operating condition of the AC power, battery supply voltage and charging circuit.

The purpose of this option is to provide visual signaling in response to a fault at the EXIT sign battery and/or battery charger. If a failure is detected, visual status will occur immediately via the dual color LED. Refer to instruction manual for detailed information.

The circuit also monitors the transfer circuit as well as performing automatic code compliance testing.

The GUARDIAN G3 remote monitoring and reporting system provides wireless communication between emergency fixtures, enabling maintenance personnel to maintain and test emergency lighting equipment from a central location. System requires additional equipment and setup, consult factory for more information.

## GUARDIAN G3PRO Self-test/Self-diagnostics, Remote Monitoring and Reporting with Automated Email Notifications

The G3PRO model has the features of the standard G3 but adds automated email notifications of fixture status reports (requires internet connection, supplied by facility).

## OPTIONS

### Remote Capable (Option: R)

The R option provides an additional 1.5W of remote capability. Units with remote capability (R option) have two (2) 0.75W lamps attached to units. Not compatible with HO option. Compatible with [JLED](#), [RL1-WP](#) or [RL52](#) remote lamps.

## CONFORMANCE TO CODES & STANDARDS

The VLED-EL90L-G3 Series is UL 924 Listed for Damp Locations, CEC compliant and meets or exceeds the following: UL 924, NEC requirements and NFPA 101.