

# VEXCL LED Series

Installation Instructions

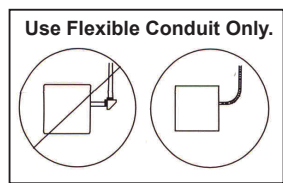


## IMPORTANT SAFEGUARDS READ AND FOLLOW ALL SAFETY INSTRUCTIONS.

When using electrical equipment, basic safety precautions should always be followed including the following:

- **DISCONNECT AC POWER SUPPLY BEFORE SERVICING.**
- Installation and servicing of this equipment should be performed by qualified service personnel only.
- Ensure that the electrical wiring conforms to the National Electrical Code NEC® and local regulations if applicable.
- Do not mount in hazardous locations, or near gas or electrical heaters.
- Do not let power cords touch hot surface.
- Do not use outdoors.
- Equipment should be mounted in locations and at heights where it will not be readily subjected to tampering by unauthorized personnel.
- The use of accessory equipment not recommended by the manufacturer may cause an unsafe condition.
- Any modification or use of non-original components will void the warranty and product liability.
- Do not use this equipment for other than intended use.
- Allow battery to charge for 24 hours before first use.

## SAVE THESE INSTRUCTIONS!



Technical Support ■ (623) 580-8943 ■ [technicalsupport@barronltg.com](mailto:technicalsupport@barronltg.com)

# VEXCL LED Series

## Installation Instructions

### Wall Mount (Fig. 2)

1. Slide out faceplate and red diffuser by removing the screw on the bottom of the housing. (Fig. 1)
2. Assemble middle lamp head provided, if applicable, and make proper middle lamp head connections. (Fig. 4)
3. Remove the knockout hole on the center of the backplate. Then remove the knockouts on the backplate that correspond to the junction box holes to be used.
4. Route AC supply leads through the center hole on the backplate, then make the proper wire connections. Connect the white wire to neutral. Connect the green wire to ground. If using 120VAC, connect the black wire to the hot lead. If using 277VAC, connect the orange wire to the hot lead. Cap the unused lead. Refer to **Wiring Diagram** section. (Fig. 5)
5. Feed excess wire into junction box and secure backplate to junction box using the (2) 1" long 8-32 screws. (Fig. 2)
6. Plug male battery connector into female battery connector on PCBA. (Fig. 2)
7. Remove the proper directional chevron(s) from the faceplate carefully.
8. Slide the faceplate and red diffuser back into the housing and secure with the bottom screw.
9. Restore power and then test fixture by pressing test button. LED heads will turn on.
10. Adjust the direction of lamp heads for optimal lighting coverage.

### Side Mount (Fig. 3)

1. Slide out faceplate and red diffuser by removing the screw on the bottom of the unit. (Fig. 1)
2. Remove the (3) knockouts on the side of the housing for side mounting.
3. If double faced is desired, replace back plate with additional faceplate and diffuser provided.
4. Assemble middle lamp head provided, if applicable, and make proper middle lamp head connections. (Fig. 4)
5. Using (2) 1" long 8-32 screws and nuts, assemble canopy onto the fixture.
6. Determine if the adapter plate will be needed for proper orientation of exit sign. If it is needed, install it with the remaining (2) 1" long 8-32 screws.
7. Refer to steps 4-10 above in **Wall Mount**.

Fig. 1

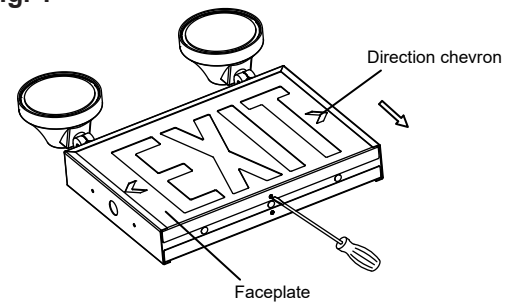


Fig. 2

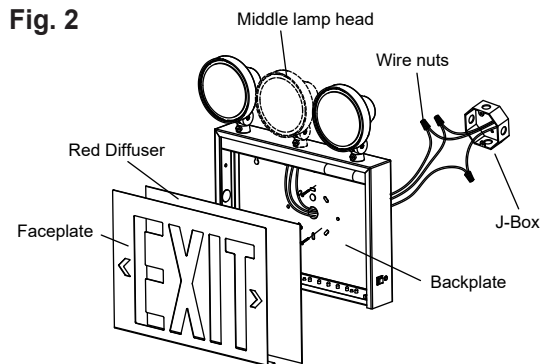


Fig. 3

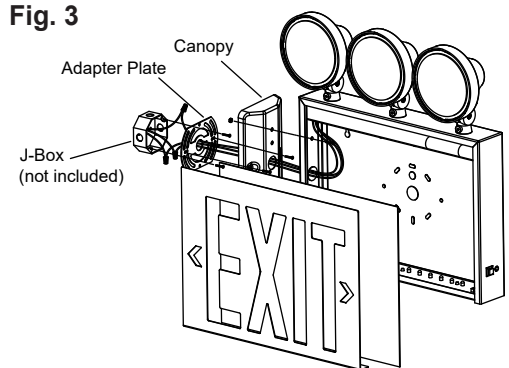
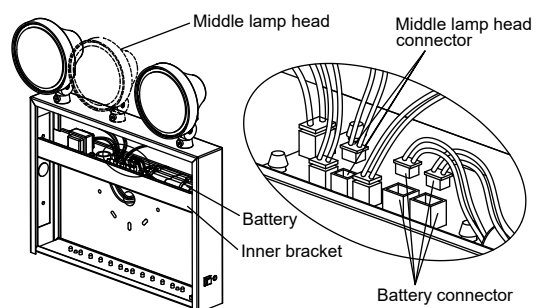
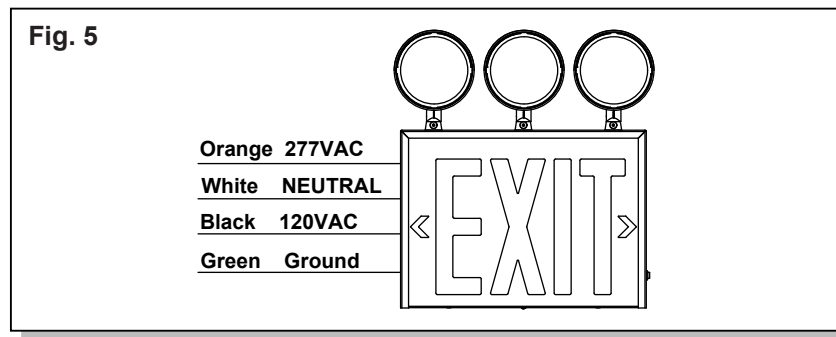


Fig. 4



### Wiring Diagram (Fig. 5)



### Maintenance

The battery has to recharge if the product is kept in stock over 9 months. We recommend that the equipment is tested regularly in accordance with local codes. Replace the batteries as needed if discharge time does not achieve 90 minutes.

### Operation (Standard models)

The battery in this unit may not be fully charged. After electricity is connected to the unit for at least 24 hours, then normal operation of this unit should take effect. To check, press the "TEST" button. The EXIT sign should stay illuminated by battery backup and the LED indicator will be turned off. Release the "TEST" button, LED indicator will be turned on.

In accordance with NFPA 101, your emergency lighting system must be tested monthly for a minimum of 30 seconds and annually for 90 minutes. Refer to your local codes for any additional requirements that may apply.

### Trouble Shooting Guide

If LED heads or LED indicator does not illuminate, check the following:

1. Check AC supply - verify that unit has 24 hours AC supply.
2. Check battery connection.
3. Discharge the battery and then charge the battery for 24 hours and retest.
4. If above trouble shooting hints do not solve the problem, contact factory for assistance.