

DESCRIPTION

TRACE*LITE's TLED-LVT is an LED Linear Vapor Tight series combining state-of-the-art technology into a robust IP66 rated vaporproof housing. The LED light engines produce up to 97 lumens per watt. The durability and versatility of the purpose designed vaporproof housing allows this luminaire to perform in a wide variety of general lighting applications in both indoor and outdoor covered environments. Performance and feature options enable customers to utilize the same fixture in an abundance of applications; from simple direct replacement of a traditional 2-lamp T8 linear fluorescent luminaire, to complex underground parking facilities. The TLED-LVT housing is constructed of high quality extruded aluminum with a clear anodized finish with an impact resistant polycarbonate lens. Configuration selections easily provide solutions for single fixture installs to a series of TLED-LVTs strung together from a single power source. Available in two different sizes, a 4ft unit that replaces the traditional 2 lamp linear fluorescent luminaire and a 2ft unit.

SPECIFICATIONS

Construction:

The TLED-LVT series has a precision designed extruded aluminum housing with stainless steel hardware, impact resistant polycarbonate lens, large silicone gaskets and a durable anodized finish. The TLED-LVT is completely sealed with silicone gaskets and is IP66 rated to protect against the entry of dust and jets of water. It is UL Listed for Wet Locations, suitable for indoor or outdoor covered locations. The standard TLED-LVT series includes a 3' cable and is ideal for mounting directly to walls or ceilings using the provided metal mounting clips or can be suspended from a ceiling using steel aircraft cable (provided by others) attached directly to the provided mounting clips. The TLED-LVT light engine's LEDs are protected by an impact resistant polycarbonate lens. The well crafted construction enables the fixture to be mounted in traditional horizontally down manner from ceiling, vertically from walls and even upwardly for factory and auto repair facilities despite greasy, oily environments.

Optics:

The TLED-LVT series linear LED vaporproof luminaire delivers exceptional light quality, available with 4000K or 5000K CCTs, a CRI of ≥80 and a projected color shift of less than 1%. The TLED-LVT LED light engine array has a precision optical lens that is specifically designed to distribute light where it is needed in the most efficient way possible. Producing up to 3600 delivered lumens, the TLED-LVT has an L70 of 50,000 hours.

Electrical:

The LEDs utilized in the TLED-LVT are powered by constant current, high efficiency Class 2 LED driver with active power factor correction (0.93 typical), and all around protection against over-voltage, over-temperature and short circuit conditions as well lightning protection. The TLED-LVT driver has a standard input voltage of 120~277VAC 50/60Hz, a Class A EMI rating. It complies with UL8750 safety regulations and with ANSI/IEEE C62.41 Class A Operation. The TLED-LVT is suitable for operation in -4°F to 104°F (-20°C to 40°C) ambient conditions with a relative humidity (RH) of 20% to 80%.

Thermal Management:

The LED light engine in the TLED-LVT is mounted directly to the extruded aluminum housing allowing the entire housing to perform as a thermal heat sink. This configuration optimizes the thermal dissipation for the LEDs, which makes possible the high efficacy and superior lumen output, as well as the durability and longevity of the TLED-LVT.

Installation:

The TLED-LVT can be quickly mounted to any vertical or horizontal surface using the metal clips provided. The metal mounting clips easily snap onto the back of the luminaire and can accommodate either surface mounted applications or suspended mounting applications using steel cables for indoor or outdoor covered locations. Due to the rugged yet light housing construction, the fixture can be slipped under automobiles and equipment for troubleshooting.

Linkable (Option: L):

Unit is provided with two IP68 connectors and one IP68 cap, one of the two connectors is provided with a 6' cable lead that can be cut to required length and the other connector is field installed to the cable lead. This unit is universal and can be used as the first, middle or end of the line. Up to six (6) TLED-LVT-4 units can be connected at 120VAC, up to twelve (12) TLED-LVT-4 units can be connected at 277V.

Model: _____ Date: _____
 Accessories: _____
 Job Name: _____ Type: _____

Available While Supplies Last



Specs at a Glance		
	2' Unit	4' Unit
Wattage (Nominal)	20W	40W
Ingress Protection	IP66, UL Listed for Wet Locations	
Lumens (5000K)	1960	3600
Efficacy (5000K)	97	95
CCT	4000K, 5000K	
Input Voltage	120~277 Voltage Sensing	
Optics	120° Beam Angle	
CRI	≥80	
Warranty	5 Years	
Ambient Temp	-4°F to 104°F (-20°C to 40°C)	

Testing & Compliance:

The reliability and performance of the TLED-LVT is evaluated in accordance with the parameters outlined and reported by LM-79 and LM-80 documents. Photometric data is tested to IESNA LM-79-08 standard by an independent testing laboratory. Lumen maintenance, or L70, a measure of long term reliability, is determined for the light source, which consists of the LED and PSB sub-assembly as installed in the luminaire, using LM-80 in-situ thermal and reliability data as provided by the LED manufacturer in accordance with DOE/EPA standards.

Warranty:

Any component that fails due to manufacturer's defect is guaranteed for 5 years. The warranty does not cover physical damage, abuse or acts of God. Manufacturer reserves the right to charge for such repairs if deemed necessary. Optional 7 or 10 year warranties are available.

ORDERING INFORMATION

Example: TLED-LVT-4-VS-5K

Series	Nominal Length	Input Voltage	Color Temperature	Option
TLED-LVT	2 = 2' (20 Watt)	VS = 120~277VAC Voltage Sensing	4K = 4000K CCT	L ^{1,2} = Linkable
	4 = 4' (40 Watt)		5K = 5000K CCT	

Notes

¹ Options not currently UL Listed

² Consult factory for availability

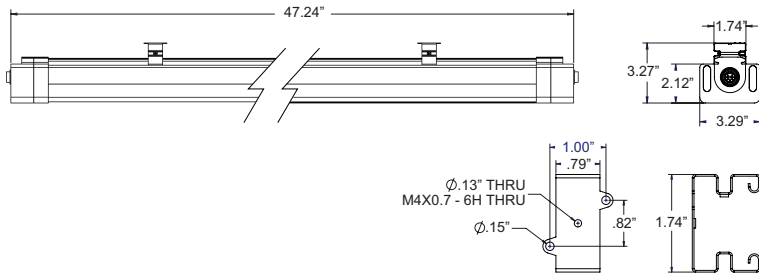
³ For use with linkable units

⁴ Order as separate line item

Accessories⁴ (Field Installed)

TLED-LVT-CP-SLV³ = Closure Plate for Continuous Run for use with linkable units

DIMENSIONS

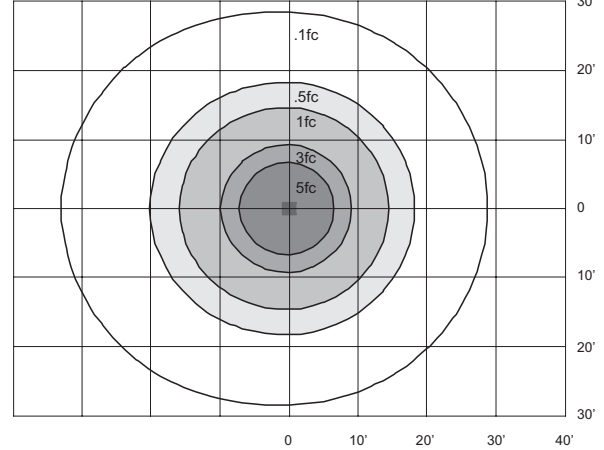


Approximate Weight: 5 lbs.

Mounting Clip Detail

SAMPLE PHOTOMETRICS

TLED-LVT-4-VS-4K Mounted at 10'



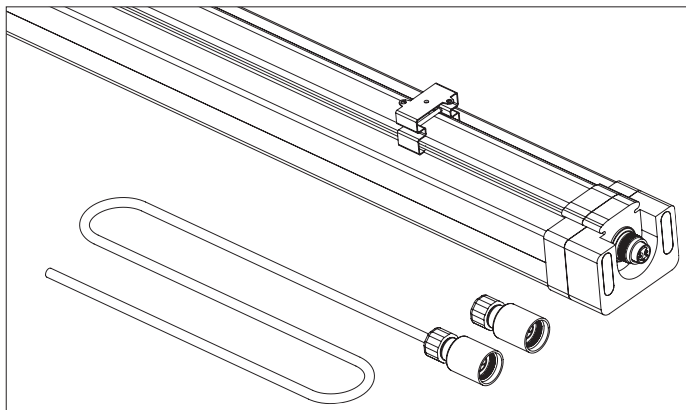
FIXTURE PERFORMANCE

Part Number	CCT	Total System Watts	Initial Lumens	Lumens Per Watt (LPW)	L70 Hours @ 25°C
TLED-LVT-2-VS-4K	4000K	20W	1897	95	50,000
TLED-LVT-2-VS-5K	5000K	20W	1900	95	50,000
TLED-LVT-4-VS-4K	4000K	40W	3600	95	50,000
TLED-LVT-4-VS-5K	5000K	40W	3600	95	50,000

NOTE: Lumen maintenance and life (part of LM-80 data) are per published information from primary LED suppliers and is based on design operation at their specified thermal management and electrical design parameters.

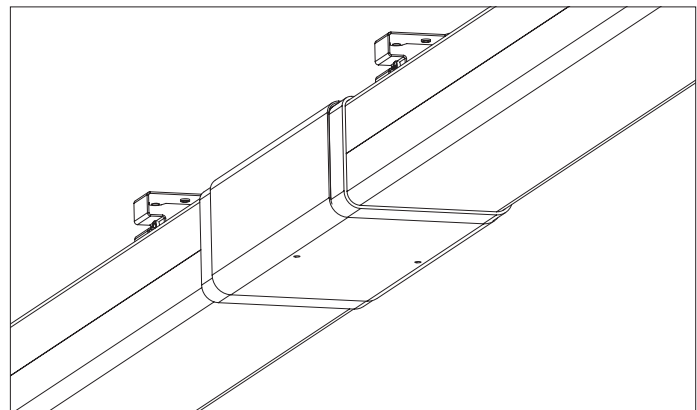
Linkable Kit (Option: L) Contains:

(1) IP68 Connector w/6' Lead, (1) IP68 Connector and (1) IP68 Cap



Closure Plate (Accessory: TLED-LVT-CP):

Covers the gap between linked fixtures. Covers a maximum distance between fixtures of 5.5". Ideal for seamless look when used with the linkable units.



Specifications are subject to change without notice.
Installation must be performed in accordance with
Barron Lighting Group installation instructions.

10810290 Rev 8 06/19