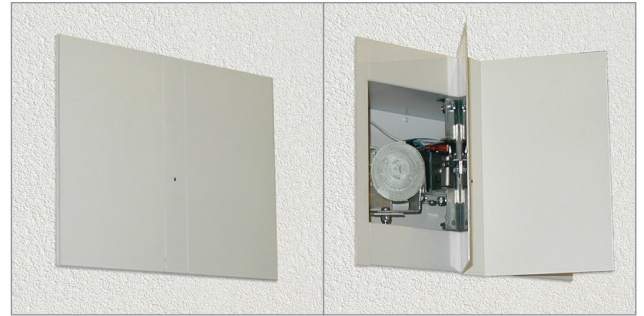


The Stealth Series flush-mount emergency lighting unit features MR-16 style LED lamps hidden behind hinged panels that can be color matched to blend into any environment. Once the AC power is interrupted, the Stealth opens automatically, providing bright, uniform emergency egress lighting.

Model: _____ Date: _____
 Accessories: _____
 Job Name: _____ Type: _____

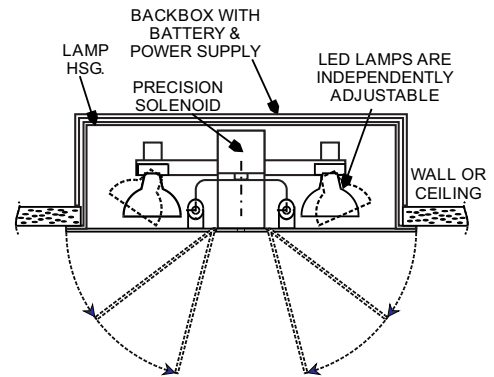
FEATURES AND BENEFITS

- Following AC power failure, cover doors open instantly and provide emergency lighting to area required with automatic retraction when AC power is restored
- Doors are operated automatically using a spring and solenoid system with a magnetic latch for years of worry-free operation
- Flush fitting cover doors feature internal reflective surfaces to maximize light output
- Cover doors may be field color matched, textured or even wall papered to blend into any interior - When closed in normal-mode, the unit is almost invisible
- American Recovery and Reinvestment Act (ARRA) compliant



SPECIFICATIONS

- Illumination: 2 x 9W MR16 fully adjustable LED lamps
- Housing: Galvanized steel back box with aluminum doors and lamp housing
- Input: 120/277VAC input
- Battery: Maintenance-free lead calcium or NiCad batteries
- Run Time: 120 minute emergency run time, 24 hour recharge time
- Electrical: Includes Guardian Self-test/Self-diagnostics standard (G2)
- Mounting: Universal wall or ceiling mount
- Finishes: White (Custom colors available, consult factory)
- Options: CC = Custom Color
DR = Damp Location Rated
- Certifications: cETLus Listed
- Warranty: Any component that fails due to a manufacturing defect is guaranteed for three years with a separate three year prorated warranty on the battery. The warranty does not cover physical damage, abuse or instances of uncontrollable natural forces. See the full Exitronix warranty document for detailed information. (Terms and conditions apply)



ORDERING INFORMATION Example: S-NC-18-2-DR

Series	Power	Wattage	Battery Run Time	Options (Factory Installed)
S = Stealth	NC = NiCad WB = Sealed Lead Calcium	18 ¹ = 9 Watts x 2	2 = 2 Hour	CC ² = Custom Color DR = Damp Location Rated

Notes

¹ 18W unit provided with 2 12V, 9W MR16 LED Lamps	Accessories³ (Field Installed)
² Consult factory	RTP = Remote Test Panel
³ Order as separate line item	STLRFK = Stealth Retrofit Kit for previously installed Stealth housings

CONSTRUCTION

The Stealth LED Series is constructed of a galvanized steel back box with aluminum doors and lamp housing. Doors are operated automatically using a spring and solenoid system with a magnetic latch for years of worry-free operation.

ILLUMINATION

Illumination of the Stealth LED Series is accomplished utilizing two high-intensity, long-life fully adjustable 2 x 12V/9W MR16 LED lamps. Metalized reflectors deliver maximum light to total path of egress and 60,000 hours of lamp life.

ELECTRICAL

Input
Dual-voltage input 120/277VAC

Sealed Nickel Cadmium Battery - NiCad (NC)

Exitronix nickel cadmium batteries are maintenance-free.

Sealed Lead Calcium Battery (WB)

Exitronix sealed lead calcium batteries are maintenance-free.

Guardian Self-Test/Self-Diagnostics (Standard)

The Guardian circuit continuously monitors the operating condition of the AC power, battery supply voltage, emergency lamp continuity and charging circuit.

The purpose of this option is to provide visual signaling in response to a fault at the emergency units battery and/or battery charger. If a failure is detected, visual status will occur immediately via the multicolor LED. The LED will remain in this state until the fault is corrected.

The Guardian circuit also monitors the transfer circuit as well as performing automatic code compliant testing. The Guardian circuit will perform a discharge and self-tests in accordance to NPPA101 specifications.

Assembled in the USA

Produced or transformed to comply with the American Recovery and Reinvestment Act of 2009 (ARRA) requirements and Buy American provisions.

OPTIONS

Damp Location Rated (Option DR)

Damp Location Rated fixture that is normally or periodically subject to condensation of moisture in, on or adjacent to, and includes partially protected locations.

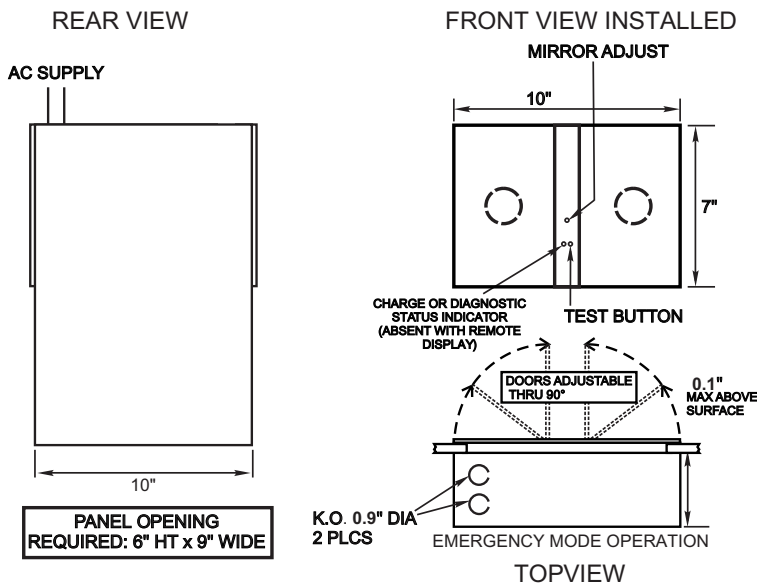
Remote Test Panel (Accessory RTP)

Diagnostic display by multicolor LED or full function alpha numeric display.

CONFORMANCE TO CODES & STANDARDS

The Stealth LED Series is cETLus listed and meets or exceeds the following: UL 924, NEC requirements and NFPA 101. American Recovery and Reinvestment Act (ARRA) compliant.

MOUNTING DATA AND DIMENSIONS



Specifications are subject to change without notice. Installation must be performed in accordance with Barron Lighting Group installation instructions.