

IMPORTANT SAFEGUARDS READ AND FOLLOW ALL SAFETY INSTRUCTIONS.

When using electrical equipment, basic safety precautions should always be followed including the following:

- **DISCONNECT AC POWER SUPPLY BEFORE SERVICING.**
- Installation and servicing of this equipment should be performed by qualified service personnel only.
- Ensure that the electrical wiring conforms to the National Electrical Code NEC® and local regulations if applicable.
- Do not mount near gas or electrical heaters.
- Do not use outdoors.
- Equipment should be mounted in locations and at heights where it will not be readily subjected to tampering by unauthorized personnel.
- The use of accessory equipment not recommended by the manufacturer may cause an unsafe condition.
- Any modification or use of non-original components will void the warranty and product liability.
- Do not use this equipment for other than intended use.
- Allow battery to charge for 24 hours before first use.
- For use with metal enclosed wiring systems.

SAVE THESE INSTRUCTIONS!

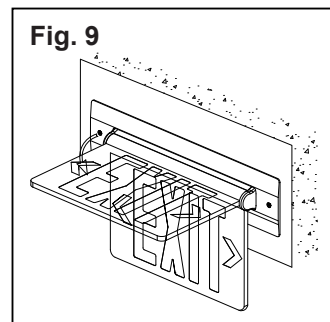
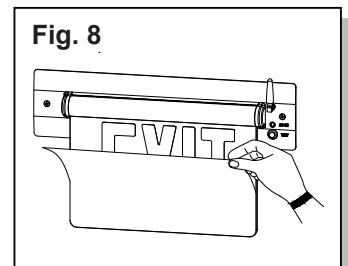
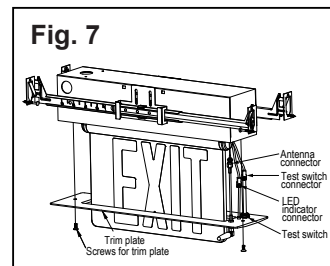
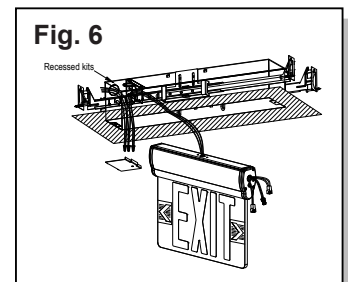
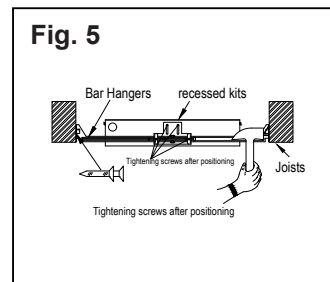
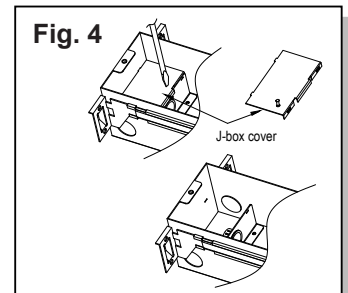
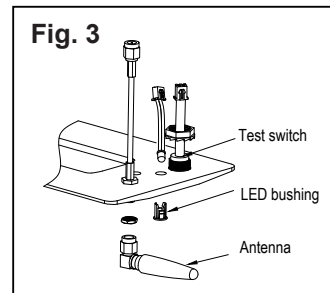
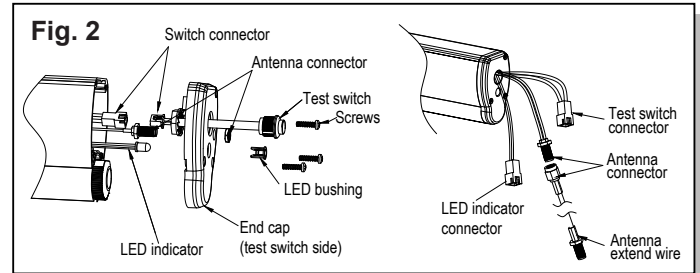
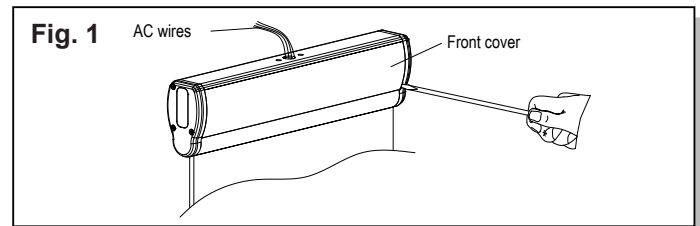
Technical Support ■ (623) 580-8943 ■ technicalsupport@barronltg.com

Recessed Ceiling Installation

1. Use screwdriver to open front cover and connect battery connector. Feed the AC wires out of the housing. (Fig. 1)
2. Unscrew and remove test switch side end cap, disconnect test switch connector, remove test switch and LED indicator and bushing from end cap, disassemble antenna connector and feed test switch, LED indicator and antenna wire out of end cap, restore end cap on housing by screws. Connect antenna extend wire (provided in accessories bag) on antenna connector. (Fig. 2)
3. Assemble test switch, LED bushing and LED indicator on the trim plate. Assemble antenna on trim plate. (Fig. 3)
4. Pry off J-box cover with flat screwdriver, punch out appropriate hole for AC wires to feed in. (Fig. 4)
5. Position recessed kits and bar hangers between joists. Make sure bar hangers are hung in the correct position. Position recessed kits temporarily by hammering "nail-in" tabs on the bar hangers, then secure permanently with nails. Bar hangers should be level with bottom of joists.
6. Adjust height of recessed kits vertically using adjusting slots and then tighten all screws on adjusting slots and bar hanger bracket to secure adjusting bracket and bar hangers. (Fig. 5)
7. Feed AC wires from fixture inside of J-box, make proper electrical connections at J-box in the metal housing, refer to "Wiring Diagram". Restore J-box cover after wiring connections, insert one side first and snap in the other side. You may use holding wire during wiring. (Fig. 6)
8. Insert fixture into hanger bracket and snap by spring, connect test switch, LED indicator and antenna connector, fix trim plate on the metal box by 2 screws. (Fig. 7)
9. Peel off protective film from acrylic panel. (Fig. 8)
10. Determine direction for chevron indicator.
Note: Refer to Chevron Placement section.

Recessed Wall Installation

1. Reference steps 1-10 in recessed ceiling installation above for recessed wall mounting.
2. Acrylic panel can rotate 90° to become recessed wall installation. (Fig. 9)



S900U Series

Installation Instructions

Chevron Placement (Fig. 10)

- If chevron is needed remove only the instruction film.
- If no chevron is needed, remove both the instruction film and chevron together.

Fig. 10

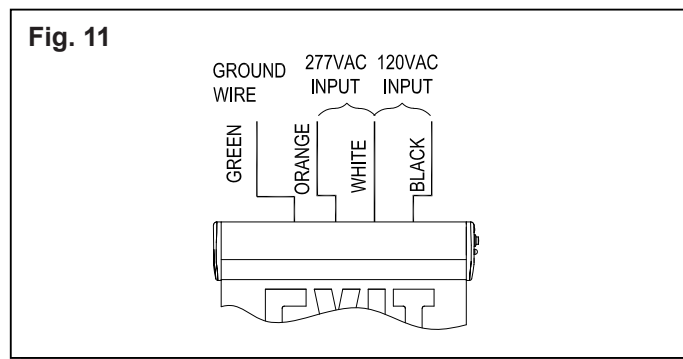


Wiring Diagram (Fig. 11)

Note: Cap off the UNUSED input lead. Failure to do so can cause an unsafe operating condition.

- If using 120VAC, connect the black and white wires to the building utility.
- If using 277VAC, connect the orange and white wires to the building utility.
- Connect ground wires to the building utility.

Fig. 11



Operation

The battery in this unit may not be fully charged. After electricity is connected to the unit for at least 24 hours, then normal operation of this unit should take effect. To check, press the “TEST” button. The EXIT sign should stay illuminated by battery backup and the LED indicator will be turned off. Release the “TEST” button, LED indicator will be turned on.

In accordance with NFPA 101, your emergency lighting system must be tested monthly for a minimum of 30 seconds and annually for 90 minutes. Refer to your local codes for any additional requirements that may apply.

Testing and Reporting Instructions (-G2 and -G3 models)

- When AC power is supplied to fixture, the unit will automatically initiate a self-test and self-diagnostic test as follows:
 - Verifies battery disconnection, charger board failure at every 5 seconds.
 - 1 minute self-testing every month.
 - 30 minutes self-testing on every 6 months after installation.
 - 90 minutes self-testing on every 12 months after installation.
- Dual color LED lamp indicator shows the following status:
 - Green color: On / Ready
blinking: Testing
 - Red color: (Service Alert)
 - Service Alert LED Code (Red color LED lamp indicator)

●	One blink, 4 second pause	Battery is not connected
● ●	Two blinks, 4 second pause	Battery voltage too low
● ● ●	Three blinks, 4 second pause	Charger board circuit failure
● ● ● ●	Four blinks, 4 second pause	Transfer function failure
● ● ● ● ● ● ●	Seven blinks, 4 second pause	LED strip failure

Note: After solving the fault of emergency equipment, please press test button for 2 seconds then release to reset. LED indicator will show green.

3. "-G2" and "-G3" models also have a manual test function, press test button as follows:

Press test button once	30 seconds discharge test
Press test button twice within 2 seconds	3 minutes discharge test
Press test button 3 times within 2 seconds	30 minutes discharge test
Press test button 4 times within 2 seconds	90 minutes discharge test

Networking Operations for "-G3" Models

Model with "-G3" suffix is our world winning design equipped with "wireless testing and reporting" features. Unit that has "-G3" suffix in its model number is capable of joining **Guardian** emergency lighting management system. It will be part of a large testing system to be tested and report result wirelessly.

Once powered up and commissioning allowed, unit will automatically join **Guardian** network and get provisioned. Upon the completion of the commissioning, unit will perform testing and report based on set schedules.

For more information about commissioning, configurations and testing, please visit website, <https://www.barronltg.com> for details.

If you have problem to initiate provisioning or if you know the unit belongs to other **Guardian** network. Please follow the instructions below to reset the fixture and make it in a factory state:

- Press and hold the test button for over 8 seconds, and the fixture will leave the network and reset itself.

Remote Heads Connection Instructions (Option)

1. Remove jump connector from the female connector on PCBA. (Fig. 12)
2. Attach the remote male connector into the female connector on PC board.
3. Connect extended remote head wires to the remote wires using wire nuts. Yellow is positive (+) and the purple is negative (-). (Fig. 13)

