

The Exitronix S900-G3 Series LED Edge-lit Exit features a pivoting design for simple installation in any application, including surface and recessed wall, ceiling and sloped ceilings. Includes surface mounting canopy as well as hardware for recessed mounting applications, making this the most versatile Edge-lit sign available. The S900U option includes both single- and double-face configurations for easy ordering and stocking.

The **GUARDIAN G3** remote monitoring and reporting system from Exitronix simplifies code compliance and significantly reduces operating and maintenance costs by offering automated testing, remote monitoring and reporting of emergency fixture status from a centralized location. For standard fixtures without remote monitoring and reporting, [click here](#).

**FEATURES & BENEFITS**

- Includes GUARDIAN G3 self-test/self-diagnostics with remote monitoring and reporting
- Includes surface mounting canopy as well as housing for recessed mounting (depending on model)
- Suitable for installation in existing drywall applications
- S900U option includes both single- and double-face panel configurations
- Field-selectable directional chevrons
- California Energy Commission (CEC) compliant

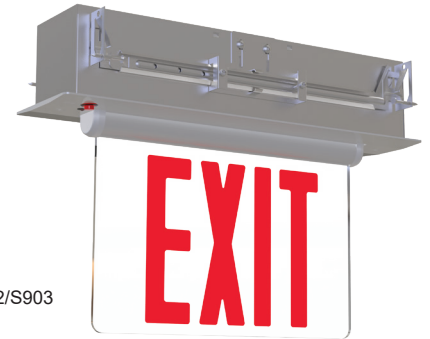
**SPECIFICATIONS**

**Illumination:** Long-life, high-intensity, red or green LEDs  
**Construction:** Extruded aluminum housing with high-grade, acrylic panel  
**Input:** 120/277VAC Dual Primary, 60Hz  
**Battery:** Maintenance-free NiCad battery  
**Operating Temp:** 10°C to 40°C (50°F to 104°F)  
**Run Time:** UL Listed 90 minute emergency run time, 24 hour recharge time  
**Electrical:** Brownout protection, low voltage disconnect, overload disconnect, short circuit disconnect, solid state transfer  
**Legend:** Fully-illuminated 6" characters with 3/4" stroke, field-selectable directional chevrons  
**Mounting:** Ceiling and end surface mounting or recessed  
**Finish:** Brushed aluminum, black or white  
**Certifications:** UL 924 Listed for Damp Locations, Meets or exceeds NFPA 101 Life Safety Code, NEC, OSHA, and California Energy Commission (CEC) Title 20 requirements  
**Warranty:** Any component that fails due to a manufacturing defect is guaranteed for three years with a separate two year prorated warranty on the battery. The warranty does not cover physical damage, abuse or instances of uncontrollable natural forces. See the full Exitronix warranty document for detailed information. (Terms and Conditions apply)

Model: \_\_\_\_\_ Date: \_\_\_\_\_  
 Accessories: \_\_\_\_\_  
 Job Name: \_\_\_\_\_ Type: \_\_\_\_\_



S900U



S902/S903



**ORDERING INFORMATION** Example: S902-WB-SR-RC-AG-G3 For standard fixtures without remote monitoring and reporting, [click here](#).

Series	Power Source	Mounting	Panel		Finish
S902 = Single-face	WB = With Battery	SR <sup>4</sup> = Universal	<b>Single-face</b>	<b>Double-face</b>	AG = Brushed Alum
S903 = Double-face			GC = Green Letters/Clear Panel	GM = Green Letters/Mirror Panel	BL = Black
S900U <sup>1</sup> = Universal			GM = Green Letters/Mirror Panel	GW = Green Letters/White Panel	WH = White
S900UM <sup>2</sup> = Universal Mirror			GW = Green Letters/White Panel	RM = Red Letters/Mirror Panel	
S900UW <sup>3</sup> = Universal White			RC = Red Letters/Clear Panel	RW = Red Letters/White Panel	
			RM = Red Letters/Mirror Panel	<b>Universal</b>	
			RW = Red Letters/White Panel	G = Green	
				R = Red	

**Self-test/Self-diagnostics**

G3<sup>5</sup> = Self-test/Self-diagnostics, Remote Monitoring and Reporting

G3PRO<sup>6</sup> = Self-test/Self-diagnostics, Remote Monitoring and Reporting w/Automated Email Notifications

<b>Accessories<sup>7</sup></b> (Field installed, order as separate line item)	
GTWY-PRIMARY - Primary Remote Reporting Gateway	STANDBRKXX - Tablet Stand (XX = Specify 10" or 12" Tablet)
GTWY-SECONDARY - Secondary Remote Gateway, Extends Range	STANDBRK-LOCKXX - Locking Tablet Stand (XX = Specify 10" or 12" Tablet)
ROUTER - Wireless Internet Router	ER1-Kit = 1' Pendant Mount Kit
TAB10 - 10" Tablet, Includes Guardian G3 Software	ER2-Kit = 2' Pendant Mount Kit
TAB12 - 12" Tablet, Includes Guardian G3 Software	S900U-G-FP = Green Single Mirror Panel for S900U only
WALLBRKXX - Tablet Wall Bracket (XX = Specify 10" or 12" Tablet)	S900U-R-FP = Red Single Mirror Panel for S900U only
WALLBRK-LOCKXX - Locking Wall Bracket (XX = Specify 10" or 12" Tablet)	S900-PENDANT-ADAPTER = Pendant Adapter

**Notes**

<sup>1</sup> Includes one single-face clear and one double-face mirrored panel in selected colors

<sup>5</sup> Requires additional equipment, consult factory for details

<sup>2</sup> Includes one single-face mirror and one double-face mirrored panel in selected colors

<sup>6</sup> Requires internet connection, supplied by facility

<sup>3</sup> Includes one single-face white and one double-face white panel in selected colors

<sup>7</sup> Order as separate line item

<sup>4</sup> SR includes kits for surface & recessed mounting

**ELECTRICAL RATINGS**

Model	NiCad Battery	Brownout	Low Voltage Disconnect	Overload Disconnect	Short Circuit Disconnect	Solid State Transfer	Input			
							VAC	Hz	mA	W
S90XXX-WB-SR-R(X)-XX-G3	3.6V 300mA	Yes	Yes	Yes	Yes	Yes	120/277	60	37/17	4.1
S90XXX-WB-SR-G(X)-XX-G3	3.6V 300mA	Yes	Yes	Yes	Yes	Yes	120/277	60	39/18	4.32

**CONSTRUCTION**

**Housing**

Available in either a Black, Brushed Aluminum or White finish.

**Surface** - Engineering grade aluminum extrusion with mounting canopy.

**Recessed** - Extruded aluminum housing supplied with galvanized steel adjustable bar hanger assembly.

**Panels**

Constructed of clear acrylic. Stencil letters are 6" high with 3/4" stroke. Double-face panels are supplied standard with a mirror insert. Units are supplied with field-selectable directional chevrons for placement in all applications.

**ILLUMINATION**

High-output red or green LEDs provide superior brightness. Energy consumption of less than 5W for battery back-up units. LEDs are a maintenance-free solution.

**ELECTRICAL**

**Input**

Dual-voltage input 120 or 277VAC at 60Hz.

**Nickel Cadmium Battery - NiCad**

Exitronix NiCad batteries are maintenance-free.

**Emergency**

The S900-G3 Series exit will operate for a minimum of 90 minutes during a loss of power with a 24 hour maximum recharge time for the battery.

**Test Button**

Test button is easy to locate and allows for manual verification of proper operation of the transfer circuit and emergency lamps.

**GUARDIAN G3 Self-test/Self-diagnostics, Remote Monitoring and Reporting**

The circuit continuously monitors the operating condition of the AC power, battery supply voltage and charging circuit.

The purpose of this option is to provide visual signaling in response to a fault at the EXIT sign battery and/or battery charger. If a failure is detected, visual status will occur immediately via the dual color LED. Refer to instruction manual for detailed information.

The circuit also monitors the transfer circuit as well as performing automatic code compliance testing.

The GUARDIAN G3 remote monitoring and reporting system provides wireless communication between emergency fixtures, enabling maintenance personnel to maintain and test emergency lighting equipment from a central location. System requires additional equipment and setup, consult factory for more information.

**GUARDIAN G3PRO Self-test/Self-diagnostics, Remote Monitoring and Reporting with Automated Email Notifications**

The G3PRO model has the features of the standard G3 but adds automated email notifications of fixture status reports (requires internet connection, supplied by facility).

## INSTALLATION

**Surface Mounting:** completely universal canopy provides for end or ceiling mounting. All hardware is included.

**Recessed Mounting:** recessed ceiling mount, accessible above the plenum. Electronics and battery contained in housing. Plug-in battery connector supplied for easy installation. All hardware is included.

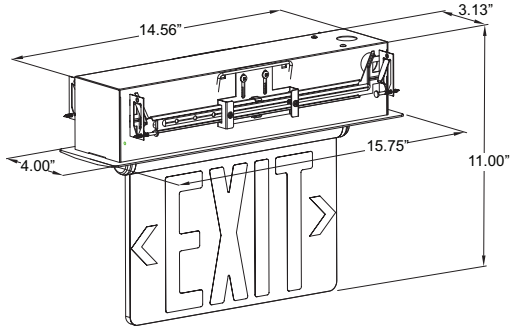
## Damp Location Rated

Damp Location Rated fixture that is normally or periodically subject to condensation of moisture in, on or adjacent to, and includes partially protected locations.

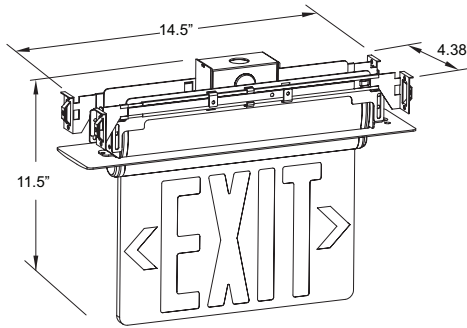
## CONFORMANCE TO CODES AND STANDARDS

The S900-G3 Series is UL 924 Listed for Damp Locations. The series meets or exceeds the CEC and NEC requirements as well as NFPA 101.

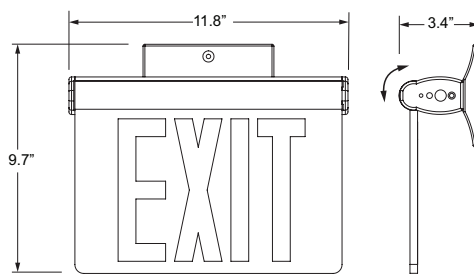
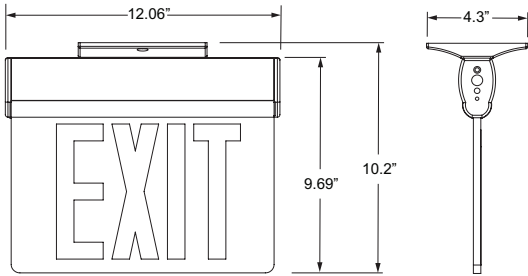
### S902/903 RECESSED DIMENSIONS



### S900U RECESSED DIMENSIONS



### S900U SURFACE DIMENSIONS



### PENDANT ADAPTER

