



## IMPORTANT SAFEGUARDS READ AND FOLLOW ALL SAFETY INSTRUCTIONS.

When using electrical equipment, basic safety precautions should always be followed including the following:

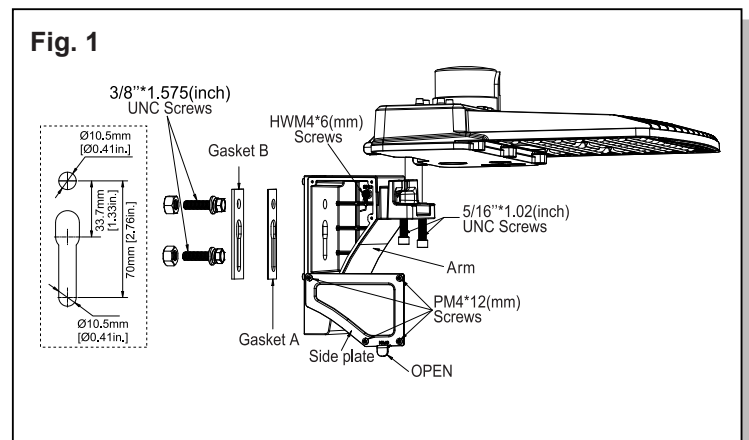
- **DISCONNECT AC POWER SUPPLY BEFORE SERVICING.**
- Installation and servicing of this equipment should be performed by qualified service personnel only.
- Ensure that the electrical wiring conforms to the National Electrical Code NEC® and local regulations if applicable.
- Any alteration or modification of this product is expressly forbidden as it may cause serious personal injury, death, property damage and/or product malfunction and will void the warranty and product liability.
- To prevent product malfunction and/or electrical shock this product must be properly grounded.
- Do not use this equipment for other than intended use.
- This luminaire is designed to operate in ambient temperatures ranging from -40°C to 45°C (40°F to 113°F) and to be horizontally mounted with the LEDs facing down.
- MIN 75°C SUPPLY CONDUCTORS.
- CONSULT A QUALIFIED ELECTRICIAN TO ENSURE CORRECT BRANCH CIRCUIT CONDUCTOR.
- Adjustable Arm/Slipfitter/Yoke Mounted with PHOTOCCELL function tilt angle should not exceed 15°.
- This product is not available for several special environments, such as places with corrosive gas liquids or high pressure water vapor.

## SAVE THESE INSTRUCTIONS!

Technical Support ■ (623) 580-8943 ■ [technicalsupport@barronltg.com](mailto:technicalsupport@barronltg.com)

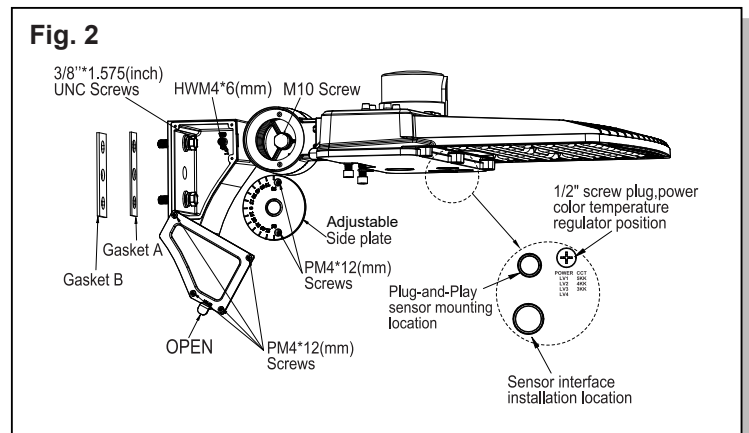
### Pole Mount Arm (Fig. 1)

1. Remove the side plate from the arm.
2. Attach the arm to the pole using (2) 3/8" screws.
  - For a round pole use only silicone gasket A.
  - For a square pole use both silicone gaskets A and B.
3. Route the cord into the arm through the wiring hole, attach the fixture and then tighten the (2) bottom screws.
4. Slightly pull the wires to make sure the hole on the arm is sealed with a silicone gasket.
5. Make wiring connections inside arm. See **Electrical Connections** section.
6. Replace side plate ensuring the gasket is seated correctly and fasten with screws previously removed.



### Swivel Mount (Fig. 2)

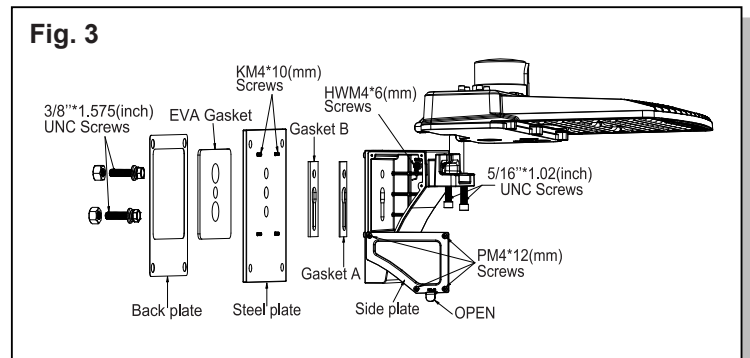
1. Remove the side plate from the arm and the adjustable side plate cover.
2. Attach the arm to the pole using (2) 3/8" screws.
  - For a round pole use only silicone gasket A.
  - For a square pole use both silicone gaskets A and B.
3. Loosen the M10 screws and adjust the fixture to the appropriate angle.
4. Route the cord into the arm through the wiring hole, attach the fixture and then tighten the (2) bottom screws.
4. Slightly pull the wires to make sure the hole on the arm is sealed with a silicone gasket.
5. Make wiring connections inside arm. See **Electrical Connections** section.
6. Replace the two sides plate ensuring the gasket is seated correctly and fasten with screws previously removed. Take care that the power cord is not exposed and does not press the wire.



### Wall Mount (Fig. 3)

1. Remove the side plate from the arm.
2. Fix the steel plate onto the mounting arm with KM4\*10 screws.
  - Use both silicone gaskets A and B.
3. Use the back plate to locate footprint on the wall to drill the holes, then fix the bracket onto the wall the appropriate anchors (not provided).
4. Route the cord into the arm through the wiring hole, attach the fixture and then tighten the (2) bottom screws.
5. Slightly pull the wires to make sure the hole on the arm is sealed with a silicone gasket.
6. Make wiring connections inside arm. See **Electrical Connections** section.
7. Replace side plate ensuring the gasket is seated correctly and fasten with screws previously removed.

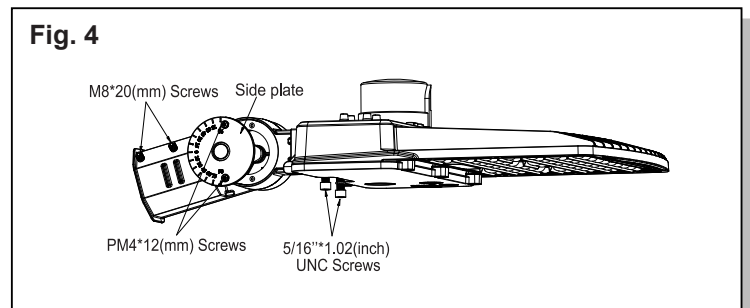
Fig. 3



### Slipfitter Mount (Fig. 4)

1. Make wiring connections. See **Electrical Connections** section.
2. Remove the side plate cover and adjust the bracket to the desired angle.
3. Install the bracket on the pole and secure it with M8\*20 screws.

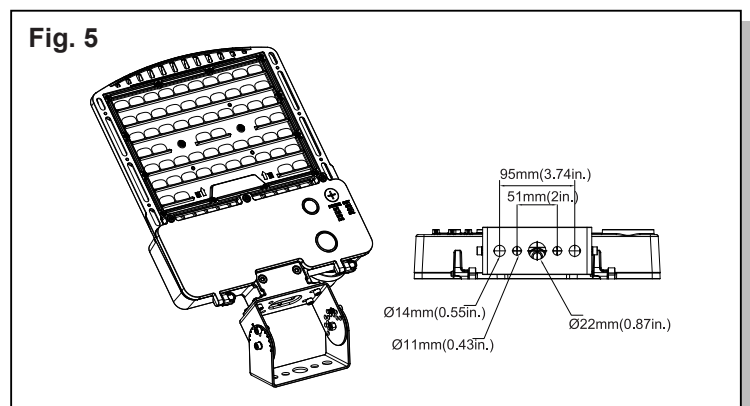
Fig. 4



### Trunnion Mount (Fig. 5)

1. Route the cord through the trunnion mount, attach the fixture by tightening the (2) bottom screws.
2. Mark the desired mounting location using the hole pattern provided on the trunnion bracket and drill holes to secure the trunnion to the desired surface with appropriate anchors (not provided).
3. Loosen center bolts and set screw.
4. Rotate fixture to desired aiming position and tighten center bolts.
5. Make wiring connections. See **Electrical Connections** section.
6. After fixing the bracket at a certain angle, the four hexagon socket screws should be locked by a manual wrench.

Fig. 5



# RXAR Series

## Installation Instructions

### Electrical Connections

Make electrical connections per Wiring Diagram. (Fig. 6)

1. Connect the line fixture lead to the black supply lead.
2. Connect the neutral fixture lead to the white supply lead.
3. Connect the ground lead from the service to the ground lead coming from the driver plate
4. Connect the DIM+ fixture lead to the purple supply lead.
5. Connect the DIM- fixture lead to the pink supply lead.

### Photocell Installation

1. Install photocell and wire as per diagram. (Fig. 7)
2. Use photocell rated for your supply voltage.

### Power and CCT Selectable Version (Fig. 8)

1. Remove the 1/2" screw plug on the bottom of the fixture.
2. Select Power (White) and CCT (Black) by sliding the respective switch to the desired value according to the figure.
3. Replace the 1/2" screw plug and tighten with a flat head screwdriver.

Fig. 6

Note: Two dimming wire in the driver box

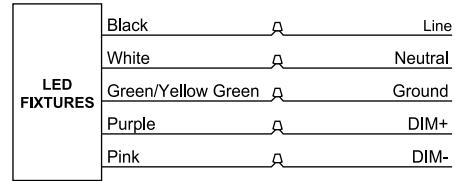


Fig. 7

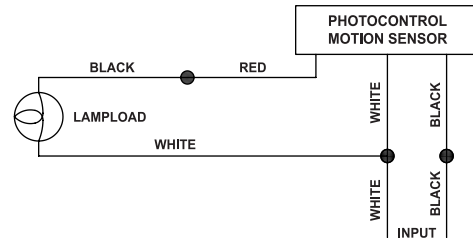
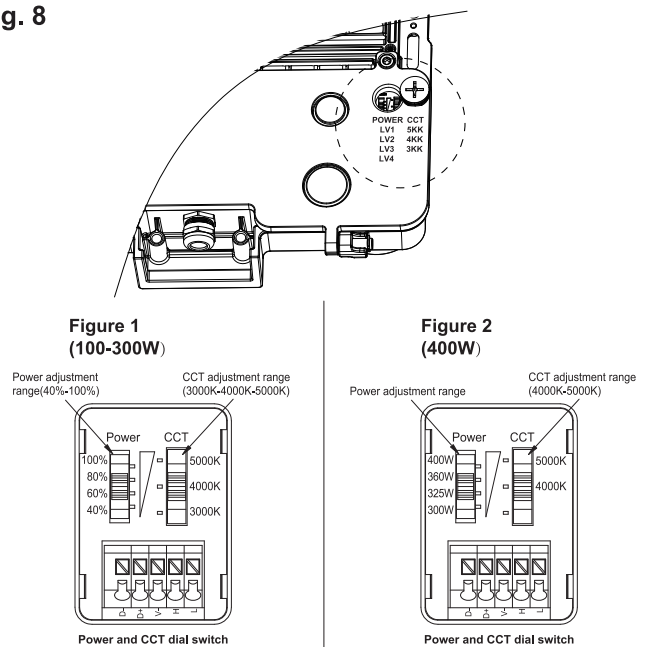


Fig. 8



**IMPORTANT:** Weather-proof your outdoor installation, be sure to seal all holes in fixture housing (mounting, conduit, plugs, sensors and photocontrols, etc.) with silicone sealant.