

DESCRIPTION

The RxA Series LED area luminaire features a sleek low-profile housing design in lumen packages ranging from 9600 lumens to 41,000 lumens. Its high-efficiency light engine is designed for optimal light control and illumination with its three distribution types in three physical sizes. The RxA family provides substantial energy savings through efficient delivery of light with minimal to no uplight and efficacies up to 139 LPW. International Dark Sky friendly approved in 3000K configurations (with fixed downlight mount). The RxA ships standard with a 7" upswept arm, and is designed for ease of installation on poles, slipfitters, trunnion or wall mount applications. This product is ideal for large areas such as parking lots, walkways, roadways, building walls, etc.

SPECIFICATIONS

Construction:

- Sleek die-cast aluminum housing with stainless steel hardware and powder coated bronze (standard) finish for durability
- UV-stabilized polycarbonate optical lens
- Integral heat sink fins maximize heat dissipation
- Hinged driver access for ease of maintenance
- Standard with 7" straight arm for square pole or round pole (with round pole adaptor). Wall mount adapter is also available
- Slotted bolt pattern suitable for retrofit to most existing drill hole patterns
- Includes a 12" whip (5 conductors provided for convenience, dimming leads not connected)

Optics/LEDs:

- Designed with minimal uplight to eliminate light pollution
- 70 to 300 Watts replace up to 750 Watts HID for up to 70% energy savings
- Efficacies up to 139 LPW maximize energy savings and utility rebates
- Type III, IV and V distributions optimize light distribution
- Available in 3000K, 4000K and 5000K CCT
- L70 of 130,000 hours
- CRI ≥70

Electrical:

- Class 2 power supply, 120-277VAC, 50/60Hz
- 1-10V Dimming driver for models 150W+ (120-277VAC only), dimming leads require connection in field
- Power supply with high-power factor of 90% typical
- 347/480VAC Dedicated driver option for 70W, 150W, 200W and 300W
- Standard 10kVA surge protection for models ≥150W

Testing & Compliance:

- cULus Listed for Wet Locations
- Tested to meet IP66 requirements
- DesignLights Consortium® (DLC) PREMIUM Qualified (consult QPL for qualified models)
- Operating temperature: -40°C to 45°C (-40°F to 113°F)
- International Dark Sky friendly approved product. (IDA) 3000K only (compliant only with a fixed downlight mount)

Installation:

- Hinged driver door for ease of access
- Standard with pole mount arm (7") suitable for 4" or 5" square poles. Includes round pole adaptor. Arm features access door for easy wiring on site and includes knockouts for motion and photocontrol sensors
- Additional easy mount accessories such as slipfitter, trunnion, swivel and wall bracket

Warranty:

- Five Year Warranty (Terms and Conditions Apply)
- 10 Year Warranty available upon request, consult factory

Model: _____ Date: _____
Accessories: _____
Job Name: _____ Type: _____

AVAILABLE WHILE SUPPLIES LAST
Consult factory for available SKUs



Shown with included 7" arm and round pole adaptor



Specs at a Glance					
Model	RxA-70	RxA-100	RxA-150	RxA-200	RxA-300
Wattage*	70	100	150	200	300
Lumens (lm)	9600	13,800	20,800	25,700	41,000
Efficacy (LPW)	136	137	139	139	137
Equivalency (HID)	150/175W	250W	400W	400W	750W+
Distribution	Type III, IV, V				
CCT (K)	3000K, 4000K, 5000K				
CRI	>70				
Input Voltage	120-277VAC, 50/60Hz, 347/480VAC				
Operating Temp	-40°C to 45°C (-40°F to 113°F)				
Certifications	UL Listed for Wet Locations, DLC PREMIUM				
Warranty	5 Years				
Weight	8.9 lbs	9.4 lbs	12.4 lbs	12.9 lbs	18.7 lbs

* Nominal Wattage. Tested at 5000K CCT, 120-277VAC, Type III distribution. See performance table for more detailed lumen information.

Note: Environment and application will affect actual performance. Typical values and 25°C used for testing.

Options:

- Bluetooth enabled dimming occupancy sensor (Option: LE), PIR, 120/277VAC (integral)
- Dimming occupancy sensor (Option: SC), PIR, with daylight harvesting capabilities. 120/277VAC, (integral)
- 120-277VAC Twist Lock receptacle installed on arm (Twist Lock photocontrol included)

Accessories:

- Twist Lock universal photocontrol (120-277VAC) for dusk to dawn lighting control
- Dimming sensor for additional energy savings
- Button photocontrol (120-277VAC) for 70W and 100W models
- Multiple mounting accessories available, see ordering information

Ordering Information (Example: RxA-100-5-VS-4K-BR-A)

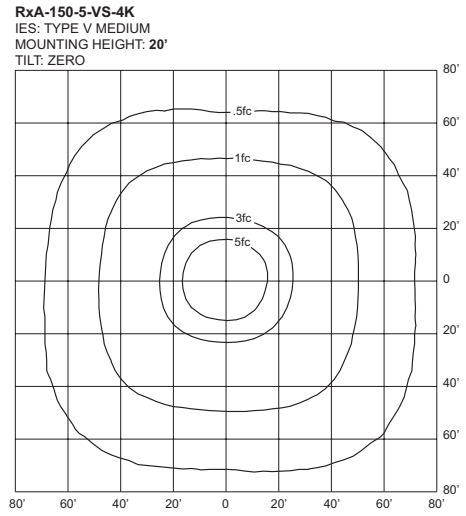
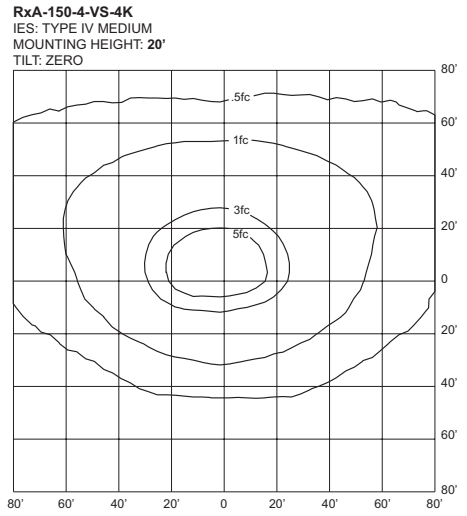
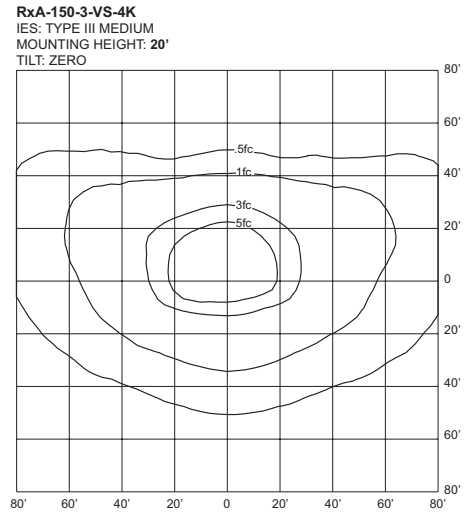
Series	Wattage, Size	Distribution	Input Voltage	CCT	Finish ⁴	Mount
RxA	70 = 70W, Small	3 = Type III	HVS ^{1,2} = 347/480VAC	3K ³ = 3000K	BL = Black	A = 7" Arm
	100 = 100W, Small	4 = Type IV	VS = 120-277VAC	4K = 4000K	BR = Bronze	
	150 = 150W, Medium	5 = Type V		5K = 5000K	SV = Gray Aluminum	
	200 = 200W, Medium				WH = White	
	300 = 300W, Large					

Options	LiteLogic Accessories ⁸ (Field Installed)
LE ⁵ - Bluetooth Enabled Dimming Occupancy Sensor, PIR, 120/277VAC (Integral)	PCU = 120-277VAC Button Photocontrol for 70W and 100W models
SC ⁶ - Dimming Occupancy Sensor, PIR, 120/277VAC (Integral)	TL-MSSW = Dimming Sensor (120-277VAC)
TLPC ⁷ - 120-277VAC Twist Lock Photocontrol and Receptacle (installed on arm)	TL-MSSW-REMOTE = Remote for Sensor
	TLPR ⁷ = 120-277VAC Twist Lock Photocontrol and Receptacle
	TLPR ⁷ = 347-480VAC Twist Lock Photocontrol and Receptacle
	RxA-SFPC-BRKT-BR ¹³ = Twistlock Photocontrol Bracket for RxA-SF-XX, Bronze Finish
	RxA-SFPC-BRKT-SV ^{13,14} = Twistlock Photocontrol Bracket for RxA-SF-XX, Gray Alum Finish

Notes	Accessories ⁸ (Field Installed)
¹ NOT available for 100W model	RxA-SF = Slip fitter Mount Bronze Finish
² 200W Model with HVS is DLC standard qualified	RxA-TR = Trunnion Mount Bronze Finish
³ International Dark Sky approved (Compliant only with fixed downlight mount)	RxA-WM = Wall Mount Bronze Finish
⁴ Consult factory for other finishes, longer lead times apply	RxA-SW-BR = Swivel Mount Bronze Finish
⁵ Not a UL Listed option	RxA-SF-XX ⁹ = Slip fitter Mount (XX = BL; Black, SV; Gray Alum, WH; White)
⁶ Sensor mounted to the fixture, 70W and 100W models mounted to pole mount arm only	RxA-TR-XX ¹⁰ = Trunnion Mount Bronze Finish (XX = BL; Black, SV; Gray Alum, WH; White)
⁷ Photocontrol mounts to receptacle installed on arm (arm and photocontrol installed in field)	RxA-WM-XX ¹⁰ = Wall Mount Bronze Finish (XX = BL; Black, SV; Gray Alum, WH; White)
⁸ Order as separate line item - Shipped in separate box for final installation in the field	RxA-S-HSS-BR ^{11,12} - House Side Shield, Small, Bronze Finish (70W, 100W)
⁹ Slip fitter will require RxA-SFPC-BRKT if ordering Twist Lock Photocontrol	RxA-M-HSS-BR ^{11,12} - House Side Shield, Medium, Bronze Finish (150W, 200W)
¹⁰ Consult factory for RxA-TR-BL and RxA-WM-BL, longer lead times apply	RxA-L-HSS-BR ^{11,12} - House Side Shield, Large, Bronze Finish (300W)
¹¹ Consult factory for lead times (Not required for Dark Sky approval)	
¹² House side shield must be ordered at the time of fixtures, consult factory for further details	
¹³ Slip fitter and photocontrol sold separately	
¹⁴ Longer lead times apply	

ADDITIONAL POLE MOUNTS AVAILABLE - SEE PAGES 4-5 FOR DETAILS

Sample Photometry

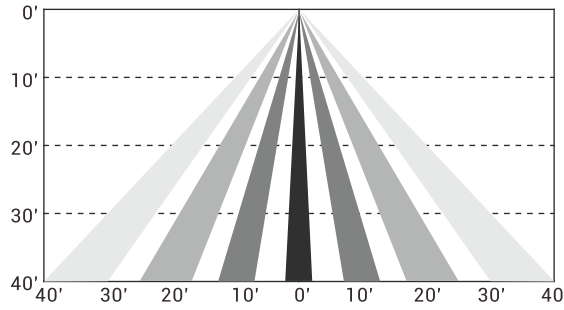


Sensor Details - Bluetooth Enabled (Option LE) [Click for sensor details](#)

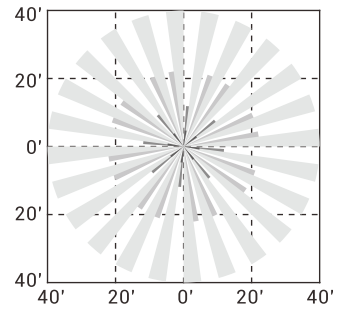
WARNING:
Disconnect power before servicing. Install in accordance with national and local electrical codes. The control circuit is not isolated-free voltage. For connections use wire rated for at least 5 At least 18AWG solid wire only.
Input type: Branch circuit, (mains)
Output type: Branch circuit, (mains)
Output load type: Switch mode LED driver.



Coverage Side View



Coverage Top View (40')



SEE APP FOR SENSOR SETTINGS

For a complete list of LiteLogic compatible products, [click here](#).



Get it from the App Store



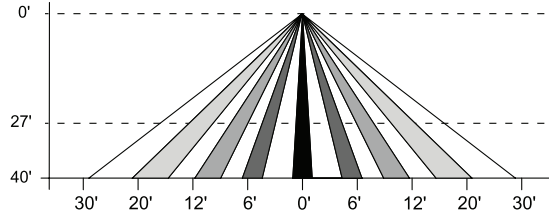
Get it from Google Play



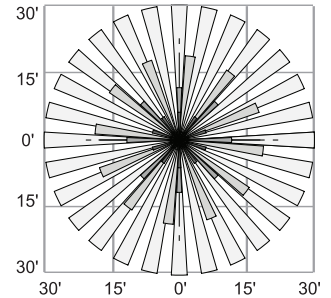
Sensor Details (Option SC and Accessory TL-MSSW-REMOTE)



Coverage Side View

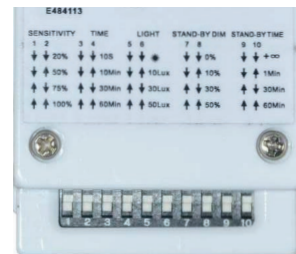


Coverage Top View (40')



Sensor Settings (TL-MSSW-REMOTE)

DETECTION RADIUS/ANGLE	MAX 60'/360°
MOUNTING HEIGHT	MAX 40'
REMOTE RANGE	MAX 33'
FREQUENCY	5.8 GHz
HIGH MODE	70%, 80%, 90%, 100% (DEFAULT 100%)
SENSITIVITY	20%, 50%, 75%, 100% (DEFAULT 100%)
HOLD TIME	10sec, 1min, 5min, 10min, 15min, 20min, 30min, 60min (DEFAULT 5min)
DAYLIGHT HARVESTING	<input type="checkbox"/> (disabled), 10Lux, 30Lux, 50Lux, 100Lux, 150Lux, 200Lux, 300Lux (DEFAULT disabled)
STANDBY DIM SETTING	0, 10%, 20%, 30%, OFF (∞), (DEFAULT 30%)
STANDBY TIME SETTING (TO OFF)	ON (disabled), 1min, 30min, 60min (DEFAULT 30min)

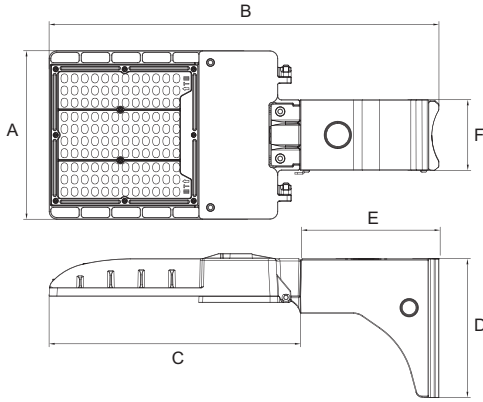


Sensor Dip Switch Settings (Dip Switches on SC Sensor)



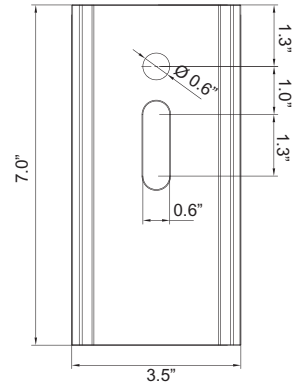
TL-MSSW-REMOTE Accessory (Sold Separately)

Dimensions

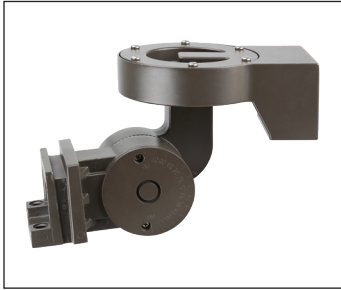


Wattage	70/100W	150/200W	300W
Light Bars	3	3	6
A	8.5"	12.3"	12.3"
B	19.6"	21.6"	30.3"
C	12.7"	15.2"	23.3"
D	7.0"	7.0"	7.0"
E	7.0"	7.0"	7.0"
F	3.6"	3.6"	3.6"

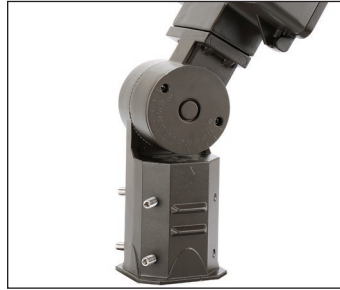
Drilling Template (Standard Mount)



Mounting (non-standard mounts sold separately for field installation)



Swivel - RxA-SW (Sold Separately)
Allows Fixture to Swivel and Tilt
(180° total tilt, 180° total swivel)



Slipfitter - RxA-SF (Sold Separately)
For 2-3/8" O.D. Pipe. with Angle Markers



Wall Mount - RxA-WM (Sold Separately)
Allows for Direct Wall Mount



Trunnion - RxA-TR (Sold Separately)





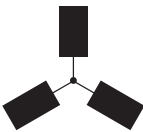
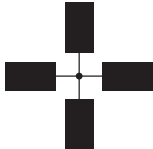
Twistlock Photocontrol Bracket for Slipfitter Mount (Accessory: RxA-SFPC-BRKT-XX)



RxA-SFPC-BRKT-BR installation.
Slipfitter and photocontrol sold separately



EPA Values

						
Model	1	2 @ 90°	2 @ 180°	3 @ 90°	3 @ 120°	4 @ 90°
70W/100W	0.3413	0.5929	0.6826	1.0239	1.0499	1.0239
150W/200W	0.423	0.735	0.846	1.158	1.185	1.158
300W	0.4759	0.7889	0.9518	1.2648	1.3711	1.2648

Specifications are subject to change without notice.
Installation must be performed in accordance with
Barron Lighting Group installation instructions.

Pole Top Arms

	<p>RT2-90-2-BR Round pole 90° tenon - 2 arms</p> <p>Vertical steel tenon adaptor to mount over a 2-3/8" O.D. round pole, two arms, 90°. Bronze finish.</p>		<p>RT2-120-3-BR Round pole, 120° tenon - 3 arms</p> <p>Vertical steel tenon adaptor to mount over a 2-3/8" O.D. round pole, three arms, 120°. Bronze finish.</p>
	<p>RT2-180-2-BR Round pole 180° tenon - 2 arms</p> <p>Vertical steel tenon adaptor to mount over a 2-3/8" O.D. round pole, two arms, 180°. Bronze finish.</p>		<p>RT2-90-4-BR Round pole, 90° tenon - 4 arms</p> <p>Vertical steel tenon adaptor to mount over a 2-3/8" round pole, four arms, 90°. Bronze finish.</p>
	<p>RT2-90-3-BR Round pole 90° tenon - 3 arms</p> <p>Vertical steel tenon adaptor to mount over a 2-3/8" O.D. round pole, three arms, 90°. Bronze finish.</p>		

Tenon Adaptors

	<p>ST4-BR Square tenon 4"</p> <p>2-3/8" O.D. steel tenon adaptor to fit into 4" square pole. Includes 4x 5/16" hex stainless steel bolts. Bronze finish.</p>		<p>RT4-BR Round tenon 4"</p> <p>2-3/8" O.D. steel tenon adaptor to fit over 4" round pole. Not suitable for tapered poles. Includes 3x 3/8" hex stainless steel bolts. Bronze finish.</p>
	<p>ST5-BR Square tenon 5"</p> <p>2-3/8" O.D. steel tenon adaptor to fit into a 5" square pole. Includes 4x 5/16" hex stainless steel bolts. Bronze finish.</p>		<p>RT5-BR Round tenon 5"</p> <p>2-3/8" O.D. steel tenon adaptor to fit over 5" round pole. Not suitable for tapered poles. Includes 3x 3/8" hex stainless steel bolts. Bronze finish.</p>
	<p>YM-T-BR Yoke mount tenon adaptor</p> <p>2-3/8" O.D. steel tenon adaptor for use with yoke mount accessory. Bronze finish.</p>		

Wall Mount Adaptors

	<p>WM-T-90-BR Wall mount 90° tenon</p> <p>2-3/8" O.D. steel tenon adaptor with 90° arm for wall mount applications, for use with slipfitter accessory. Bronze finish. 3-1/4" Spacing between mounting holes.</p>		<p>WM-T-S-BR Wall mount straight tenon</p> <p>2-3/8" O.D. steel tenon adaptor arm for wall mount applications, for use with slipfitter accessory. Bronze finish.</p>
---	---	--	---