

The RSMR Series die-cast aluminum LED remote features a powerful MR16 style lamp. The advanced rotary collar design locks the lamp and internal fixture parts into place while allowing for simple lamp replacement. The rotary collar system friction lock is fully adjustable and no tools are needed to aim the lamp. These remote lamps are compatible with the [RSL series](#) steel emergency lighting units.

FEATURES & BENEFITS

- Available in single or double head configurations
- Compatible with [RSL series](#) emergency lighting units
- Available in 6V (5W, 7W) or 12V (2W, 5W or 7W)
- Fully adjustable lamp heads, rotary collar friction lock requires no tools to aim the lamp
- Mounts directly to J-box, suitable for ceiling or wall mount installations
- Suitable for indoor Damp Locations

SPECIFICATIONS

illumination:	MR16 2W, 5W or 7W LED lamps
Housing:	Die-cast aluminum housing
Electrical Input:	6 or 12VDC
Operating Temp:	-30°C to 40°C (-22°F to 104°F)
Mounting:	Surface ceiling or wall mount
Finishes:	Black or White
Warranty:	Any component that fails due to a manufacturing defect is guaranteed for three years. The warranty does not cover physical damage, abuse or instances of uncontrollable natural forces. See the full Exitronix warranty document for detailed information. (Terms and Conditions apply)

Model: _____ Date: _____
 Accessories: _____
 Job Name: _____ Type: _____



LAMP SELECTION

Input Voltage	6V	12V
Available Wattage	5W, 7W	2W, 5W, 7W

ORDERING INFORMATION Example: RSMR1-6V-2W-WH

Series ¹	Voltage	Lamp Wattage	Finish
RSMR1 = Single Lamp	6V ² = 6V Compatible	2W - 2W MR16 LED	BL = Black
RSMR2 = Double Lamp	12V = 12V Compatible	5W - 5W MR16 LED	WH = White
		7W - 7W MR16 LED	

Notes:

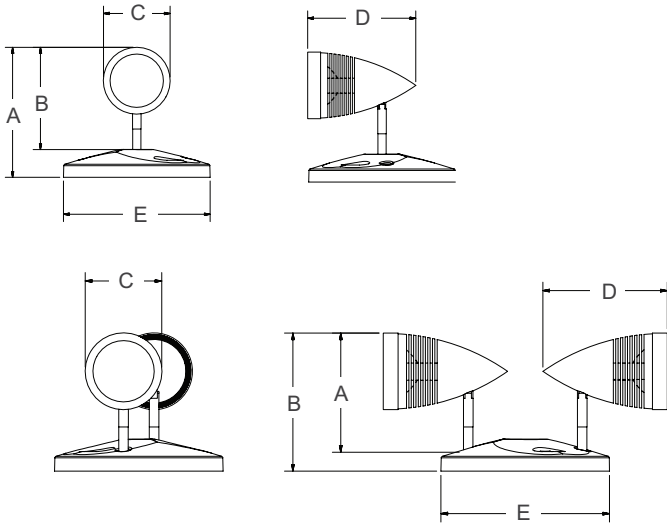
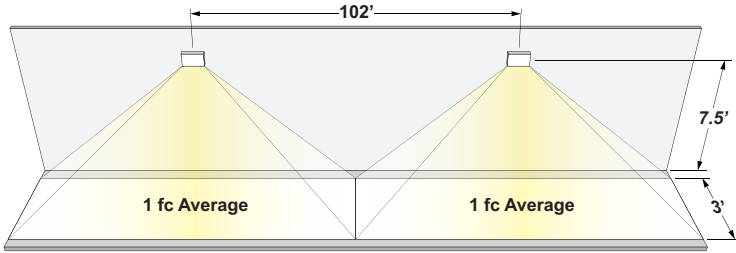
¹ Compatible with [RSL series](#), consult factory for compatibility with other product series

² 5W or 7W LEDs only

ON-CENTER SPACING (Multiple units mounted at a typical 7.5 foot height)

Model	# of LED Lamps	3' Path, 6' Corridor	6' Path, 6' Corridor
RSMR2-6V-5W	2	80'	76'
RSMR2-12V-2W	2	46'	41'
RSMR2-12V-7W	2	102'	99'

Barron assumes no responsibility for local requirements or specific project variables. This is a guideline to be used as a design aid, not as a guarantee of any code compliance.



	A	B	C	D	E
RSMR1 Single Lamp	4.375"	3.5"	2.25"	3.75"	5"
RSMR2 Double Lamp	4.125"	3.5"	2.25"	3.75"	5"