



IMPORTANT SAFEGUARDS READ AND FOLLOW ALL SAFETY INSTRUCTIONS.

When using electrical equipment, basic safety precautions should always be followed including the following:

- **DISCONNECT AC POWER SUPPLY BEFORE SERVICING.**
- Installation and servicing of this equipment should be performed by qualified service personnel only.
- Ensure that the electrical wiring conforms to the National Electrical Code NEC® and local regulations if applicable.
- Do not mount near gas or electrical heaters.
- Equipment should be mounted in locations and at heights where it will not be readily subjected to tampering by unauthorized personnel.
- The use of accessory equipment not recommended by the manufacturer may cause an unsafe condition.
- Any modification or use of non-original components will void the warranty and product liability.
- Do not use this equipment for other than intended use.

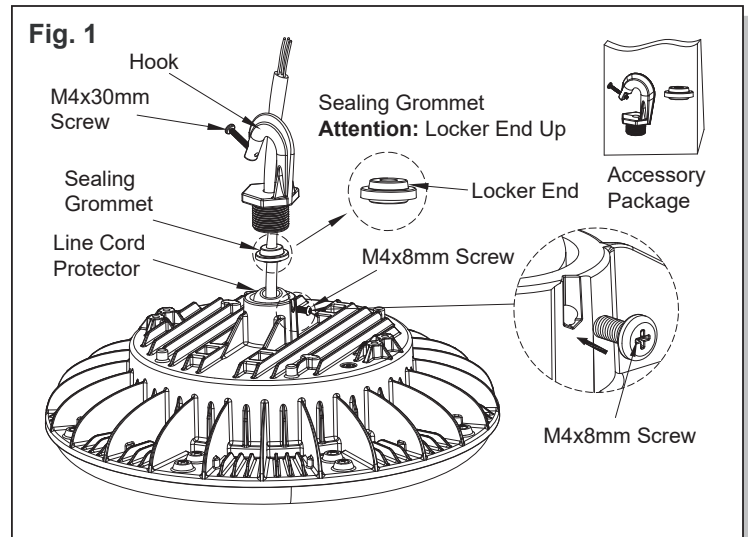
SAVE THESE INSTRUCTIONS!

Technical Support ■ (623) 580-8943 ■ technicalsupport@barronltg.com

Installation

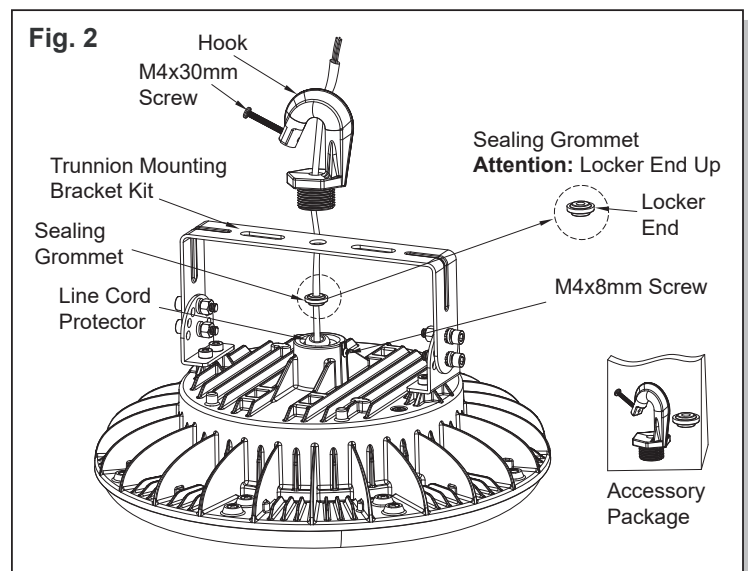
Hook Mount Installation (Fig. 1)

1. Remove the line cord protector before installation.
2. Slide line cord through sealing grommet, locker end up.
3. Remove the hook from the accessory package and thread the power cord through the hook hole.
4. Thread the hook into the top of the fixture until tight.
5. Tighten the M4x8mm screw to lock the hook in place.
6. Make electrical connections; see **Electrical Connections** sections.
7. Mount fixture and secure with M4x30mm screw.



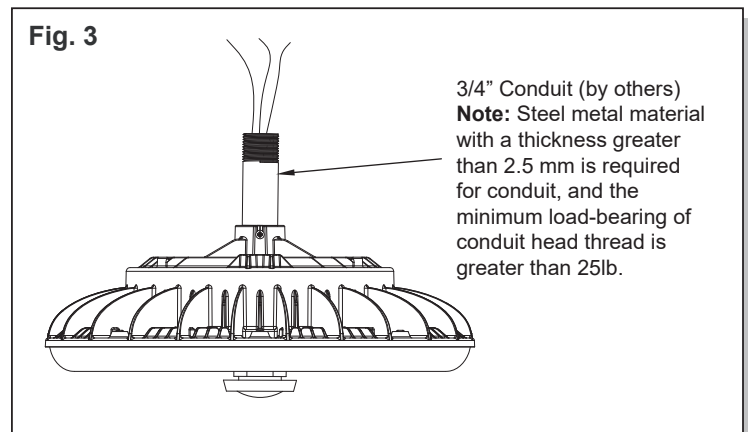
Trunnion Mount Installation (Fig. 2)

1. Remove the line cord protector before installation.
2. Slide line cord through sealing grommet, locker end up.
3. Remove the hook from the accessory package and thread the power cord through the hook hole.
4. Thread the hook into the top of the fixture until tight.
5. Tighten the M4x8mm screw to lock the hook in place.
6. Mount trunnion to surface using appropriate hardware (by others).
7. Make electrical connections; see **Electrical Connections** sections.



Pendant Mount Installation with 3/4" Conduit (by others) (Fig. 3)

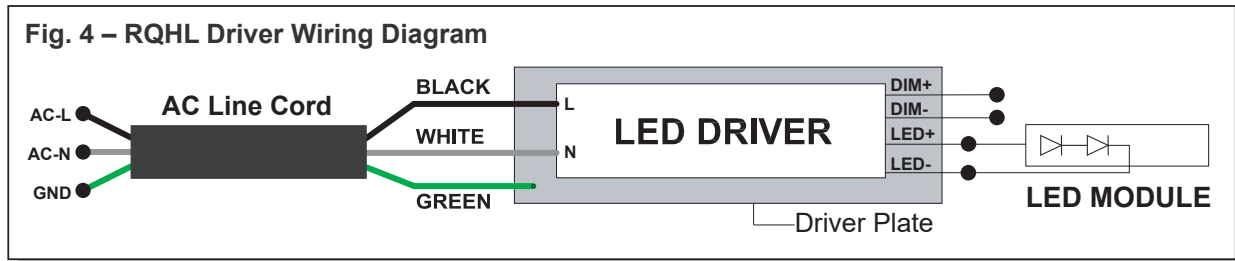
1. Remove the line cord protector before installation.
2. Slide line cord through 3/4" conduit.
3. Thread the conduit into the top of the fixture until tight.
4. Tighten the M4x8mm screw to lock the conduit in place.
5. Use silicone caulk (by others) to seal the connection.
6. Make electrical connections; see **Electrical Connections** sections.



Electrical Connections

Make electrical connections per the Wiring Diagram. (Fig. 4 and Fig. 5)

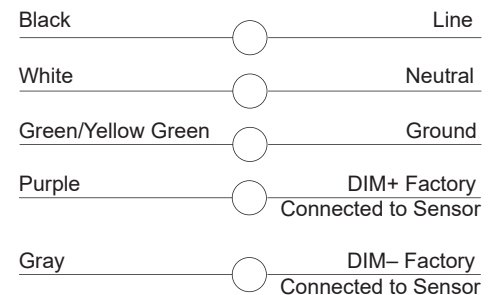
- a. Connect the line fixture lead to the black supply lead.
- b. Connect the common fixture lead to the white supply lead.
- c. Connect the ground lead from the service to the ground lead coming from the driver plate.



Note: Cap unused leads to prevent shorting.

This fixture auto adjusts for voltages between 120VAC-277VAC. The fixture comes supplied with a 3 conductor cord for line, common, and ground. Conductors are not provided for dimming.

Fig. 5 – RQHL with Sensor Wiring Diagram



Motion Sensor Information and Operation

1. Inspect the engagement slot on the motion sensor. Depending on the sensor version, the lens may engage “counterclockwise.” Place the lens over the sensor, then rotate the lens approximately 1/4 turn in the proper direction until fully engaged. Do not use excessive force.
2. The motion sensor has DIP switches set at the manufacturer’s default settings. The default DIP switch settings are listed in the motion sensor DIP switch settings diagram on the spec sheet. The motion sensor DIP switches are only accessible from within the housing.
3. The motion sensor settings can be overridden by the remote control/configuration accessory, sold separately (TL-MSSW-REMOTE).
4. Full motion sensor instructions are included in the box or available on the Barron Lighting Group website.

Troubleshooting

If the unit does not turn “ON”:

1. Check incoming voltage to the LED driver. On the Switch/Un-switch line it must be a minimum of 120VAC and no greater than 277VAC.
2. Are all LEDs on the light engine “OFF”? If so, the LED driver may be defective. Using a voltmeter, check to see if voltage is present at the output of the power supply. If low or no voltage is found, replace the power supply.
3. If any individual LEDs are “OFF” the LED light engine may be defective. Please have the serial number of the light engine available when you contact technical support.