

IMPORTANT SAFEGUARDS READ AND FOLLOW ALL SAFETY INSTRUCTIONS.

When using electrical equipment, basic safety precautions should always be followed including the following:

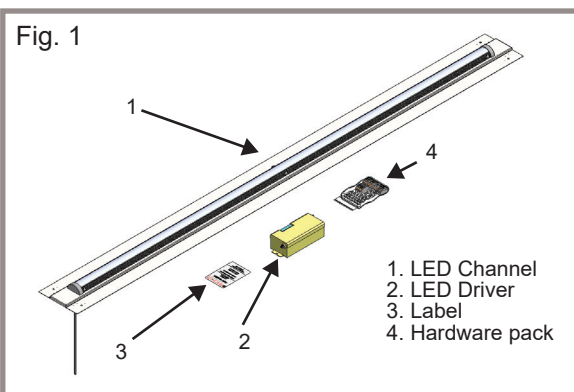
- **DISCONNECT AC POWER SUPPLY BEFORE SERVICING.**
- Installation and servicing of this equipment should be performed by qualified service personnel only.
- Ensure that the electrical wiring conforms to the National Electrical Code NEC® and local regulations if applicable.
- Do not mount near gas or electrical heaters.
- Equipment should be mounted in locations and at heights where it will not readily be subjected to tampering by unauthorized personnel.
- The use of accessory equipment not recommended by the manufacturer may cause an unsafe condition. Any modification or use of non-original components will void the warranty and product liability.
- Do not use this equipment for other than intended use.

SAVE THESE INSTRUCTIONS!

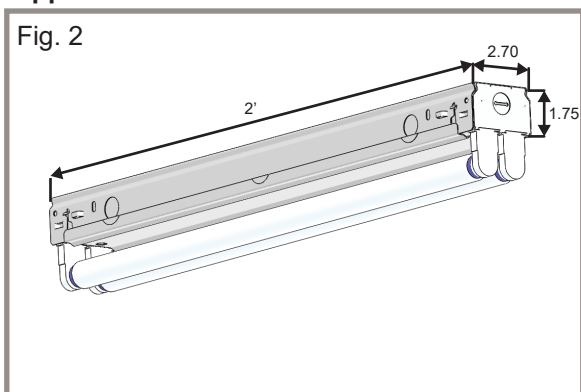
WARNING Risk of fire or electric shock.

- Luminaire wiring and electrical parts may be damaged when drilling for installation of LED Retrofit Kit. Check for enclosed wiring and components.
- LED Retrofit Kit installation requires knowledge of luminaires electrical systems. If not qualified, do not attempt installation. Contact a qualified electrician.
- Install this Kit only in luminaires that have the construction features and dimension shown in (Fig. 2) and where the input rating of the retrofit it does not exceed the input rating of the luminaire.
- To prevent wiring damage or abrasion, do not expose wiring to edges of sheet metal or other sharp objects.
- The retrofit kit is accepted as a component of a luminaire where the suitability of the combination shall be determined by CSA or authorities having jurisdiction.
- Do not make or alter any open holes in enclosure of wiring or electrical components during kit installation.

Kit Content

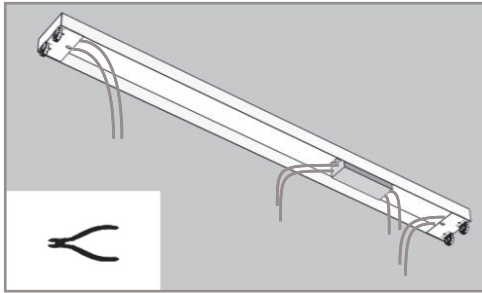


Approved Fixture

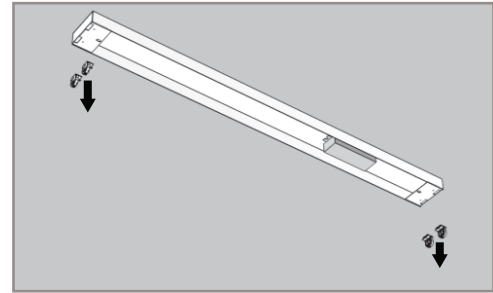
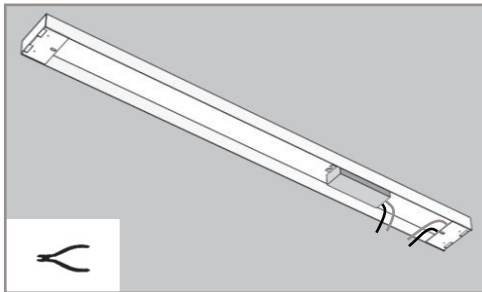


Installation

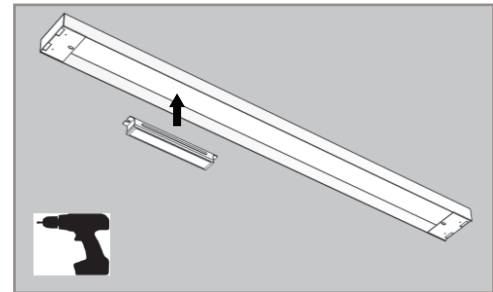
1. Read all Warnings and Installer Notes before proceeding with this retrofit.
- NOTE:** It is recommended that a test unit is installed before full renovation to ensure fixture compatibility.
2. Ensure all parts listed in **Kit Content** are included in the retrofit kit. (Fig. 1)
3. Remove fluorescent lamps and ballast cover. Dispose of lamps properly according to current state and federal regulation.



4. Disconnect the wiring from the ballast to the fluorescent lamp sockets.

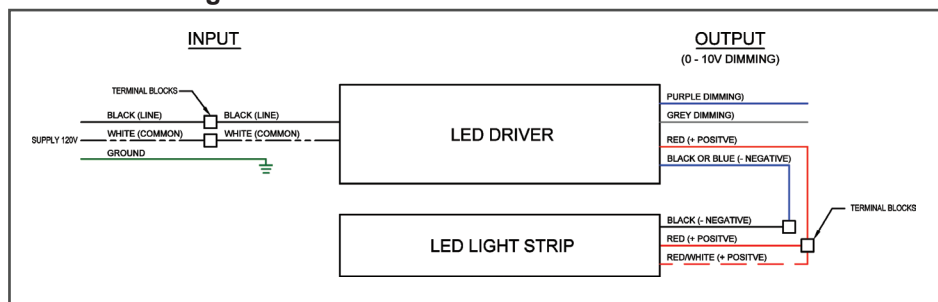


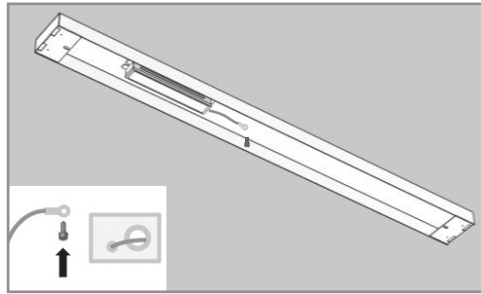
5. Remove fluorescent lamp sockets and wiring that may still be attached.



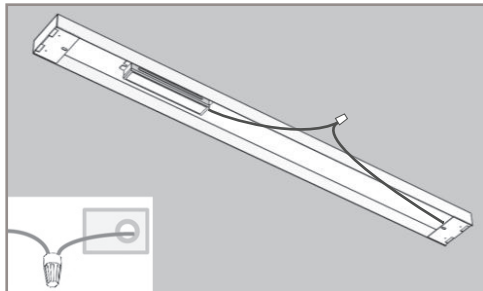
6. Disconnect the wiring from the AC input to the fluorescent ballast, removing the ballast completely.
7. Install the LED driver using two (2) provided driver screws.
8. Use approved connectors to connect fixture leads to supply leads.
 - a. Connect the line fixture lead to the black supply lead.
 - b. Connect the common fixture lead to the white supply lead
 - c. Connect the ground lead from the service to the green grounding screw.

Connection Diagram

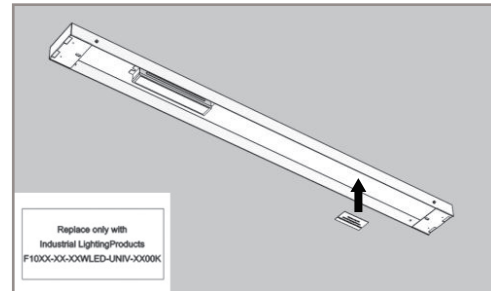




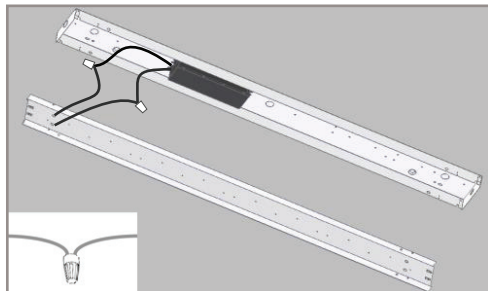
9. If the original fixture ground connection is attached to the fixture housing, use the provided self-drilling screw to attached the ground cable (green) to the fixture housing.



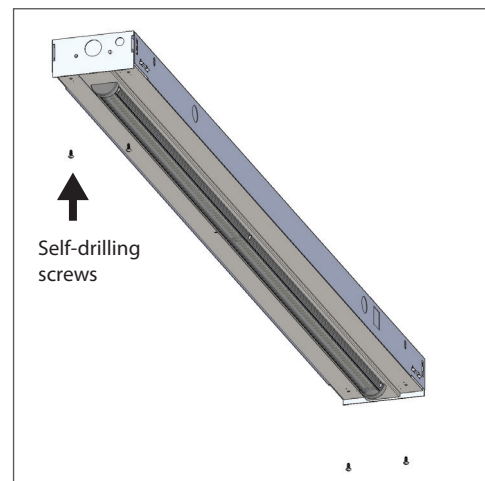
10. If the original fixture ground connection is NOT attached to the fixture housing, connect it to the ground cable (green) using the proper connectors in accordance with your current local laws.



11. Adhere the fixture ID label to the original fixture housing in a clearly visible location.



12. Connect LED module to driver. Follow the **Connection Diagram** on page 2.



13. Attach mounting plate to fixture using at least four (4) of the provided self-drilling screws. No gaps between mounting plate and the original fixture enclosure shall be present