

IMPORTANT SAFEGUARDS READ AND FOLLOW ALL SAFETY INSTRUCTIONS.

When using electrical equipment, basic safety precautions should always be followed including the following:

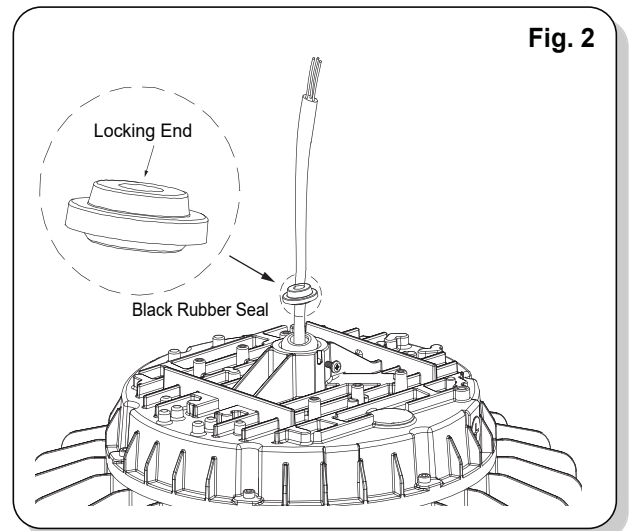
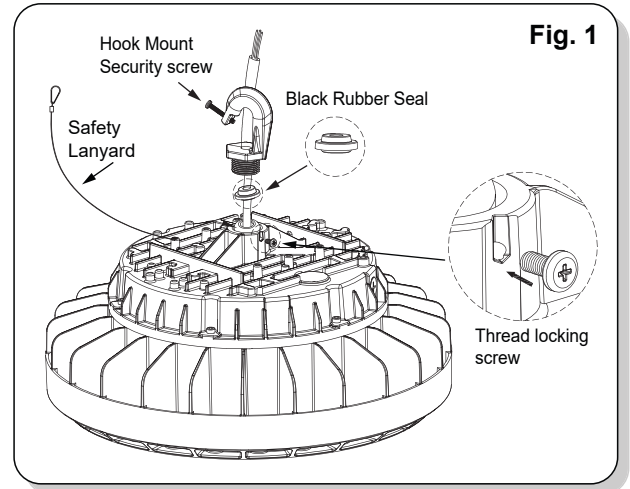
- **DISCONNECT AC POWER SUPPLY BEFORE SERVICING.**
- Installation and servicing of this equipment should be performed by qualified service personnel only.
- Ensure that the electrical wiring conforms to the National Electrical Code NEC® and local regulations if applicable.
- Do not mount near gas or electrical heaters.
- Equipment should be mounted in locations and at heights where it will not be readily subjected to tampering by unauthorized personnel.
- The use of accessory equipment not recommended by the manufacturer may cause an unsafe condition.
- Any modification or use of non-original components will void the warranty and product liability.
- Do not use this equipment for other than intended use.

SAVE THESE INSTRUCTIONS!

Technical Support ■ (623) 580-8943 ■ technicalsupport@barrontlg.com

Hook Mount Installation (Fig. 1)

1. Verify electrical requirements of fixture are compatible with supply.
2. Use appropriate sealing materials and techniques for sealing and waterproofing for intended location.
3. Remove protective plastic guard from 3/4" threaded opening and discard.
4. Verify that the black rubber seal is fully seated in the 3/4" threaded opening and that the connection wiring passes through the black rubber seal correctly. Correct orientation is thicker/longer side of black rubber seal towards hook mount (Fig. 2).
5. Locate the hook mount shipped loose in shipping box.
6. Pass the connection wiring through hole 3/4" threaded side of hook mount.
7. Remove thread locking screw from threaded portion of upper housing.
8. Thread hook mount into upper housing and tighten securely. Take care not to over tighten.
9. Reinstall thread locking screw into upper housing and tighten securely.
10. Attach safety lanyard as required by code.
11. If equipped with dimming drivers, dimming control wires are located inside the housing.
12. Connect fixture wiring per **Wiring Diagram** and any applicable code.
13. Check tightness sealing and security of all joints and fasteners.
14. Check security and sealing of connection wiring and seal.
15. Install fixture hook mount on appropriate support and tighten hook mount security screw.
16. Route and secure connection wiring per code, See **Wiring Diagram**.
17. Test fixture operation
18. Verify security of fixture.
19. Installation complete.



Pendant Mount with 3/4" Conduit (by others) (Fig. 3)

1. Verify electrical requirements of fixture are compatible with supply.
2. Use appropriate sealing materials and techniques for sealing and waterproofing for intended location.
3. Remove protective plastic guard from 3/4" threaded opening and discard.
4. Verify that the black rubber seal is fully seated in the 3/4" threaded opening and that the connection wiring passes through the black rubber seal correctly. Correct orientation is thicker/longer side of black rubber seal towards conduit (Fig. 2)
5. Use 3/4" metal conduit (supplied by others) of sufficient thickness and strength to securely support the fixture, accessories and all loads.
6. Mount conduit to appropriate supporting structure per code to intended fixture installation height.
7. Remove thread locking screw from upper fixture housing.
8. Pass connection wiring through conduit.
9. Thread fixture onto conduit and tighten securely.
10. Reinstall thread locking screw into upper housing and tighten securely.
11. Attach safety lanyard as required by code.
12. Check tightness, sealing and security of all joints and fasteners.
13. Check security and sealing of connection wiring and seal.
14. If equipped with dimming drivers, dimming control wires are located inside the housing.
15. Make electrical connections per **Wiring Diagram** and all applicable codes.
16. Route and secure connection wiring per code.
17. Check security and sealing of entire installation.
18. Test fixture operation.
19. Installation complete.

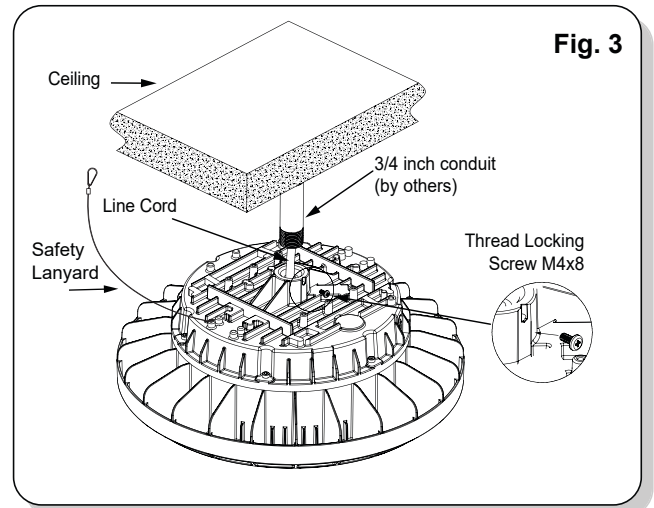
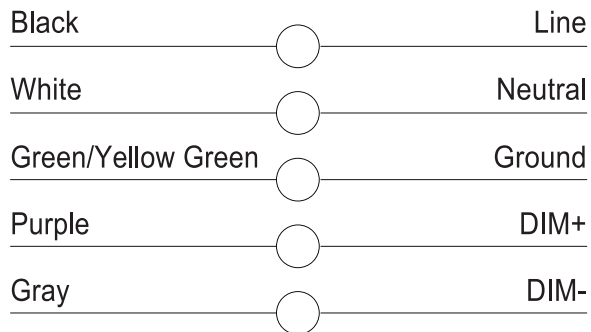


Fig. 3

Wiring Diagram



If Gray and Purple Dimmer wires are not used, cap them separately. Two 22 gauge black with white stripe wires are not used. Cap each black with white stripe wire individually. DO NOT join black with white stripe wires!

Troubleshooting

If the RHL does not turn on:

1. Check incoming voltage meets fixture requirements.
2. If all LEDs do not illuminate, check that LED Drivers are connected. Verify input and output voltages of LED Drivers are correct. If low or no voltage, consult the factory.