

IMPORTANT SAFEGUARDS READ AND FOLLOW ALL SAFETY INSTRUCTIONS.

When using electrical equipment, basic safety precautions should always be followed including the following:

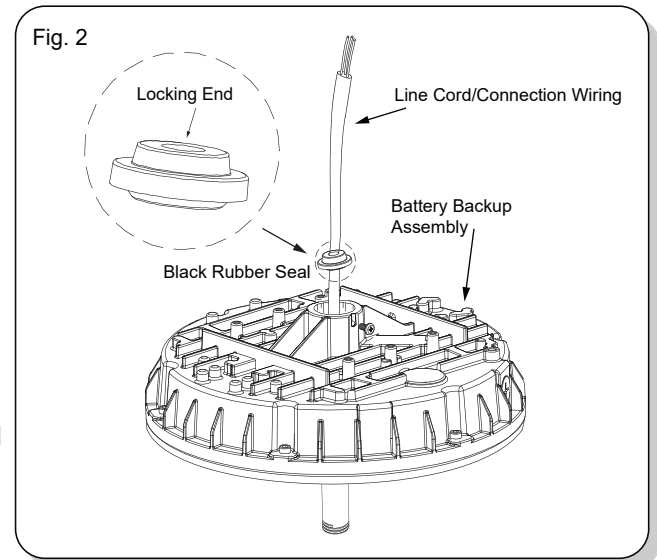
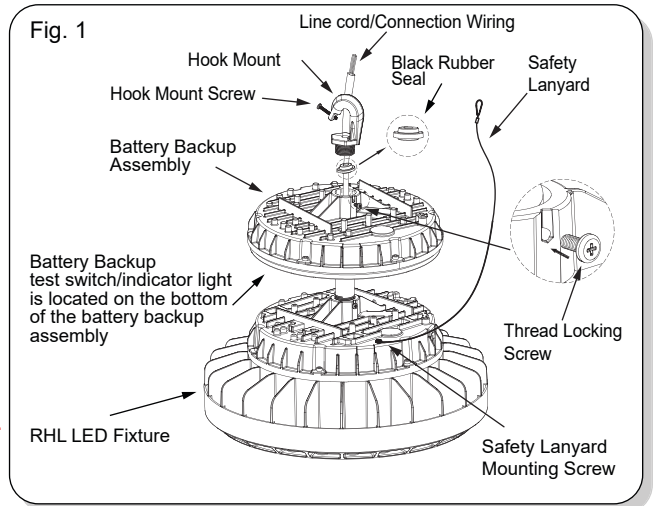
- **DISCONNECT AC POWER SUPPLY BEFORE SERVICING.**
- Installation and servicing of this equipment should be performed by qualified service personnel only.
- Ensure that the electrical wiring conforms to the National Electrical Code NEC® and local regulations if applicable.
- Do not mount near gas or electrical heaters.
- Equipment should be mounted in locations and at heights where it will not be readily subjected to tampering by unauthorized personnel.
- The use of accessory equipment not recommended by the manufacturer may cause an unsafe condition.
- Any modification or use of non-original components will void the warranty and product liability.
- Do not use this equipment for other than intended use.

SAVE THESE INSTRUCTIONS!

Technical Support ■ (623) 580-8943 ■ technicalsupport@barronltg.com

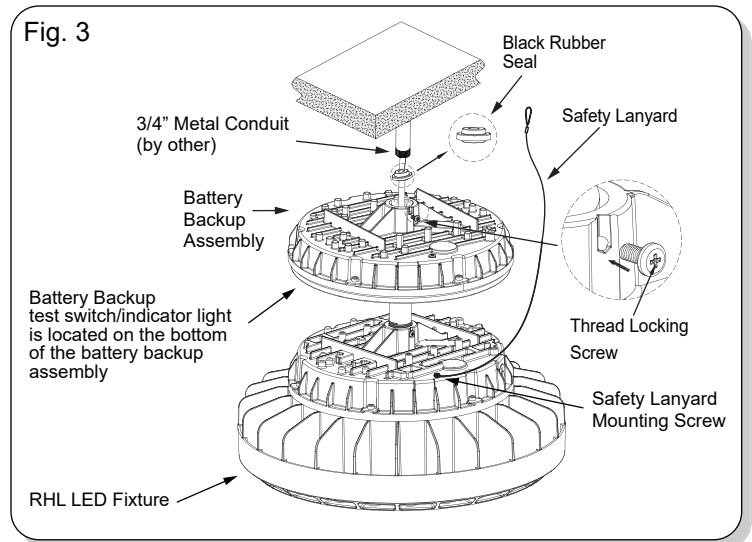
Hook Mount Installation (Fig. 1)

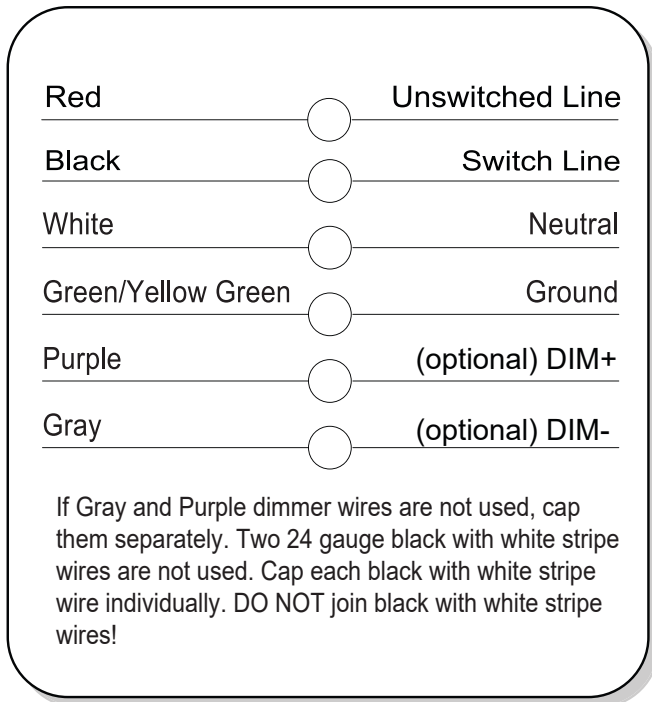
1. Verify electrical requirements of fixture are compatible with the supply.
2. Use appropriate sealing materials and techniques for sealing and waterproofing the intended location.
3. Remove protective plastic guard from 3/4" threaded opening and discard.
4. Verify that the black rubber seal is fully seated in the 3/4" threaded opening and that the connection wiring passes through the black rubber seal with the thicker locking end oriented as shown in Fig. 2.
5. Locate the hook mount shipped loose in shipping box.
6. Pass the connection wiring through hole in 3/4" threaded side of hook mount.
7. Remove thread locking screw from 3/4" threaded section of the upper Battery Backup assembly.
8. Thread hook mount into the Battery Backup assembly and tighten securely. Take care not to over tighten.
9. Reinstall thread locking screw into Battery Backup assembly and tighten securely.
10. Attach the safety lanyard as required by code.
11. If equipped with dimming drivers, dimming control wires are located inside the RHL LED fixture housing.
12. Check sealing and security of all joints and fasteners.
13. Check security and sealing of connection wiring and seal.
14. Install fixture hook mount on appropriate support and tighten hook mount security screw.
15. Connect fixture wiring per **Wiring Diagram** and any applicable code.
16. Route and secure connection wiring per code, See **Wiring Diagram**.
17. Apply power to unswitched circuit. Verify Battery Backup indicator light/test switch is illuminated solid red. See **Battery Backup Information and Operation**.
18. Apply power to switch line circuit. All fixture LEDs should power on completely.
19. Wait for Battery Backup to fully charge and test Battery Backup operation. See **Battery Backup Information and Operation**.
20. Installation complete.



Pendant Mount with 3/4" Conduit (by others) (Fig. 3)

1. Verify electrical requirements of fixture are compatible with the supply.
2. Use appropriate sealing materials and techniques for sealing and waterproofing the intended location.
3. Remove protective plastic guard from 3/4" threaded opening and discard.
4. Verify that the black rubber seal is fully seated in the 3/4" threaded opening and that the connection wiring passes through the black rubber seal with the thicker locking end oriented as shown in Fig. 2.
5. Use 3/4" metal conduit (supplied by others) of sufficient thickness and strength to securely support the fixture, accessories and all loads.
6. Mount conduit to appropriate supporting structure per code to intended fixture installation height.
7. Remove thread locking screw from upper Battery Backup assembly.
8. Pass connection wiring through conduit.
9. Thread Battery Backup assembly onto the conduit and tighten securely.
10. Reinstall thread locking screw into the Battery Backup assembly and tighten securely.
11. Attach the safety lanyard as required by code.
12. Check sealing and security of all joints and fasteners.
13. Check security and sealing of connection wiring and seal.
14. If equipped with dimming drivers, dimming control wires are located inside the RHL LED fixture housing.
15. Make electrical connections per **Wiring Diagram** and all applicable codes.
16. Route and secure connection wiring per code, See **Wiring Diagram**.
17. Apply power to the unswitched circuit. Verify Battery Backup indicator light/test switch is illuminated solid red. See **Battery Backup Information and Operation**.
18. Apply power to the switch line circuit. All fixture LEDs should power on completely.
19. Wait for Battery Backup to fully charge and test Battery Backup operation. See **Battery Backup Information and Operation**.
20. Installation complete.





Battery Backup Information and Operation

Battery Backup requires up to 24 hours to fully charge after connecting to the unswitched line power.

Battery Backup illuminates one half of the fixture LEDs on loss of unswitched line power.

Battery Backup has a momentary test button with red indicator light.

Solid red indicator light ON: Indicates there is power to the Battery Backup and is in charging mode.

Indicator light OFF: Battery Backup is in discharging mode and there is no power to the unswitched line.

Pressing and holding the momentary test button simulates loss of power to the unswitched line.

The red indicator light should go OFF and half of the fixture's LEDs should illuminate under battery power.

Troubleshooting

If the RHL does not operate as expected:

1. Check incoming voltage meets fixture requirements.
2. Battery Backup illuminates 1/2 of the fixture LEDs on loss of power, or during a test, this is normal.
3. If all LEDs do not illuminate with power on, check that LED drivers are connected. Verify input and output voltages of LED drivers are correct. If low or no voltage, consult the factory.