

**DESCRIPTION**

The PKR Series is an RXAR LED area luminaire and pole kit. RXAR features a sleek low-profile housing design in lumen packages ranging from 6,200 to 62,400 lumens. Its high-efficiency light engine is designed for optimal light control and illumination with four distribution types in two physical sizes. The RXAR family provides substantial energy savings with zero uplight and efficacies up to 172 LPW. The RXAR ships standard with a 5" arm and is designed for ease of installation on included poles. This product is ideal for large areas such as parking lots, walkways, roadways, etc.

**SPECIFICATIONS**

**Construction:**

- Sleek die-cast aluminum housing with stainless steel hardware and powder coated finish
- Integral heat sink fins maximize heat dissipation
- Hinged driver access door for ease of maintenance
- Straight arm for 4" and 5" square or round pole included standard, other mounting accessories available
- Includes a 12" whip (5 conductors provided for convenience, dimming leads not connected)

**Optics/LEDs:**

- 40 to 400 Watts with lumen packages up to 60,000 lumens
- Designed with zero uplight to eliminate light pollution
- Efficacies up to 172 LPW maximize energy savings and utility rebates
- Type II, III, IV and V distributions optimize light distribution
- Easily field switchable between 3000K, 4000K and 5000K CCT (4000K and 5000K for 400W models)
- L70 of >100,000 hours
- L90 of 40,000 hours
- CRI ≥80

**Electrical:**

- Class 2 power supply, 120-277VAC, 50/60Hz
- 0-10V Dimming driver
- Power Factor ≥ 0.90
- 347/480VAC Dedicated driver option
- 10KA(@120-277V) or 20KA(@347-480V) surge protection

**Testing & Compliance:**

- cULus Listed for Wet Locations, tested to meet IP65 requirements
- DesignLights Consortium® (DLC) PREMIUM Qualified (consult QPL for qualified models)
- Operating temperature: -40°C to 45°C (-40°F to 113°F), -40°C to 40°C (-40°F to 104°F) for the 400W model
- 3G Vibration rated enclosure

**Installation:**

- Hinged driver door for ease of access (coin plugs on the driver door provides ease of access to dipswitches for power and CCT selectability)
- Standard with pole mount arm suitable for 4" or 5" square or round poles. Arm features access door for easy wiring on site

**Warranty:**

- Five Year Warranty on RXAR, 1 year warranty on poles (Terms and Conditions Apply)

**Options:**

- 120-277VAC 3-Pin Twist Lock receptacle (option TLPC) (Twist Lock photocontrol included)
- 120-277VAC 7-Pin Twist Lock receptacle (option TLPC3) (Twist Lock photocontrol included)
- 347-480VAC 3-Pin Twist Lock Receptacle (option TLPC4) (Twist Lock photocontrol included)

Model: \_\_\_\_\_ Date: \_\_\_\_\_  
Accessories: \_\_\_\_\_  
Job Name: \_\_\_\_\_ Type: \_\_\_\_\_



Specs at a Glance					
Model	RXAR-100	RXAR-140	RXAR-250	RXAR-300	RXAR-400
<b>Wattage*</b>	40W-60W-80W-100W (Switchable)	60W-90W-120W-140W (Switchable)	100W-150W-200W-250W (Switchable)	120W-180W-240W-300W (Switchable)	300W-320W-360W-400W (Switchable)
<b>Lumens (lm)</b>	6,400 - 16,000	9,600 - 23,000	14,500 - 38,000	18,000 - 46,000	46,000 - 60,000
<b>Efficacy (LPW)</b>	up to 170	up to 172	up to 161	up to 169	up to 167
<b>Distribution</b>	Type II, III, IV, V				
<b>CCT (K)</b>	3000K-4000K-5000K (Switchable)				4000K-5000K (Switchable)
<b>CRI</b>	>80				
<b>Input Voltage</b>	120-277VAC or 347/480VAC				
<b>Operating Temp</b>	-40°C to 45°C				-40°C to 40°C
<b>Certifications</b>	UL Listed for Wet Locations, IP65, DLC PREMIUM				
<b>Warranty</b>	5 Years				
<b>Weight</b>	12.0 lbs	12.4 lbs	17.4 lbs	18.0 lbs	18.5 lbs

\* Nominal Wattage. Tested at 4000K CCT, 120-277VAC, Type III distribution. See performance table for more detailed lumen information.

**Note:** Environment and application will affect actual performance. Typical values and 25°C used for testing.

**Accessories:**

- 3-Pin Twist Lock universal photocontrol (120-277VAC) for dusk to dawn lighting control (TLPR)
- 3-Pin Twist Lock universal photocontrol (347-480VAC) for dusk to dawn lighting control (TLPRH)
- 7-Pin Twist Lock universal photocontrol (120-277VAC) for dusk to dawn lighting control (TLPR7)
- Bluetooth enabled dimming occupancy sensor (LE-MS3W-BL-AUX-HB1), PIR, 120/277VAC
- Dimming occupancy sensor (TL-MSP12-BL), PIR, with daylight harvesting capabilities, 120/277VAC

**POLE SPECIFICATIONS**

**Pole Shaft:**

- 4.0" (20' & 25') and 5.0" (30') Square non-tapered steel pole
- One piece construction fabricated from a weldable grade carbon steel structural tubing which has a uniform wall thickness of 11 gauge (0.1196") in the PKR20X and PKR25X models and 7 gauge (0.1793") in the PKR30X series
- Pole shaft material shall conform to ASTM A-500 Grade C with a minimum yield of 42,000 psi
- Shaft has a full length longitudinal resistance weld
- Uniformly square cross-section with flat sides, small corner radii and excellent torsional properties

**Base Plate:**

- Includes 2-piece ABS plastic cover is easily assembled and securely attached

**Hand Hole:**

- A rectangular reinforced gasketed handhole, having a nominal 3" x 5" inside opening, located 18" from the base, is standard on all poles
- A grounding provision is located inside the handhold ring

**Anchor Bolt:**

- Fabricated from commercial quality hot rolled carbon steel bar that meets or exceeds a minimum yield strength of 42,000 psi
- Four properly sized anchor bolts, each with two regular hex nuts and washers, are furnished and shipped with all poles unless otherwise specified
- Anchor bolts shall have the threaded end galvanized a minimum of 8" in accordance with ASTM A-153
- Anchor bolts and template shipped with pole - Note on PO if needs to ship early

**Fixture Mounting:**

- All poles come pre-drilled and capped on all four sides to meet desired mounting

**Pole Specs at a Glance**

<b>Nominal Height</b>	20.0'	25.0'	30.0'
<b>Diameter</b>	4.0"	4.0"	5.0"
<b>Gauge</b>	11 GA	11 GA	7 GA
<b>Handhole Size</b>	3.0" x 5.0"		
<b>Anchor Bolt</b>	.75" x 17" x 3"	.75" x 30" x 3"	1" x 36" x 4"
<b>Bolt Circle Range</b>	8" - 11"	8" - 11"	10.6" - 12"
<b>Bolt Circle</b>	9.5"	9.5"	11.3"
<b>Max EPA (ft.2): 80 MPH</b>	9.6	5	10.7
<b>Max EPA (ft.2): 90 MPH</b>	6.7	2.6	6.7
<b>Max EPA (ft.2): 100 MPH</b>	4.5	1	3.9
<b>Weight</b>	138 lbs	170 lbs	380 lbs
<b>Warranty</b>	1 Year		

**Notes:**

1. Please verify wind load ratings at project location to determine if EPA meets local code.
2. Barron Lighting Group is not responsible for pole foundation design.
3. Freight allowed on all orders exceeding (5) 20-foot poles, (4) 25-foot poles or (3) 30-foot poles.
4. Consult factory in areas where wind loading exceeds 100 mph.

**Finish:**

- Standard - All exterior metal surfaces are mechanically cleaned to remove all oxides and contaminants prior to coating
- Standard finish is a polyester thermosetting powder coating applied to the surface of the substrate to a minimum of 3 mils for all color finishes

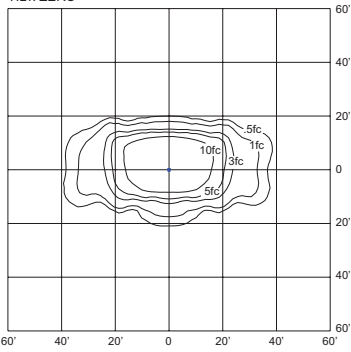
**Ordering Information** (Example: PKR252-250-3-VS-CP-BR + PKR25-ANCKIT)

Series <sup>1</sup>	Wattage, Size	Distribution	Input Voltage	CCT	Finish
PKR201 = 20' Pole, 1 Head	100 = 40-100W, Small	2 = Type II	HVS <sup>2</sup> = 347/480VAC	CP <sup>3</sup> = CCT & Power Switchable	BL <sup>2</sup> = Black
PKR202 = 20' Pole, 2 Head	140 = 60-140W, Small	3 = Type III	VS = 120-277VAC		BR = Bronze
PKR203 = 20' Pole, 3 Head	250 = 100-250W, Large	4 = Type IV			SV <sup>2,4</sup> = Gray Aluminum
PKR204 = 20' Pole, 4 Head	300 = 120-300W, Large	5 = Type V			WH <sup>2</sup> = White
PKR251 = 25' Pole, 1 Head	400 = 300-400W, Large				
PKR252 = 25' Pole, 2 Head		<b>Options</b>			
PKR253 = 25' Pole, 3 Head		TLPC = 120-277VAC 3-Pin Twist Lock Photocontrol and Receptacle			
PKR254 = 25' Pole, 4 Head		TLPC3 = 120-277VAC 7-Pin Twist Lock Photocontrol and Receptacle			
PKR301 = 30' Pole, 1 Head		TLPC4 = 347-480VAC 3-Pin Twist Lock Photocontrol and Receptacle			
PKR302 = 30' Pole, 2 Head					
PKR303 = 30' Pole, 3 Head		<b>Anchor Kit<sup>5</sup> (Mandatory Selection - Order as Separate Line Item)</b>			
PKR304 = 30' Pole, 4 Head		PKR20-ANCKIT = 20' Pole Anchor Kit (4) 3/4" x 17" x 3" Anchor Bolts, (2) Nuts and Washers per bolt, (1) Template – 9.5" BC			
		PKR25-ANCKIT = 25' Pole Anchor Kit (4) 3/4" x 30" x 3" Anchor Bolts, (2) Nuts and Washers per bolt, (1) Template – 9.5" BC			
		PKR25-ANCKIT = 30' Pole Anchor Kit (4) 1" x 36" x 4" Anchor Bolts, (2) Nuts and Washers per bolt, (1) Template – 11.3" BC			

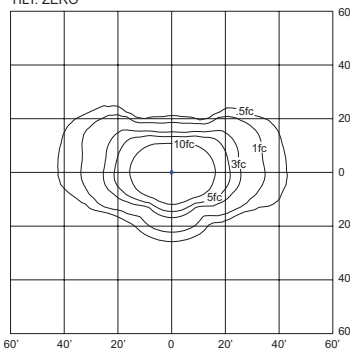
Notes	LiteLogic Accessories <sup>6</sup> (Field Installed)
<sup>1</sup> Fixture and pole shipped separately	LE-MS3W-BL-AUX-HB1 = Bluetooth PIR Motion Sensor with Daylight Harvesting, Black
<sup>2</sup> 70 CRI only, longer lead times may apply, consult factory	TL-MSP12-BL = Dimming Occupancy Sensor, PIR, Black Finish
<sup>3</sup> 400W selectable between 4000K/5000K, static 3000K option available	TL-MSSW-REMOTE = Remote for Sensor
<sup>4</sup> Consult factory for lead time	TLPR = 120-277VAC 3-Pin Twist Lock Photocontrol and Receptacle
<sup>5</sup> Order as separate line item, requires one (1) per pole ordered	TLPR7 = 120-277VAC 7-Pin Twist Lock Photocontrol and Receptacle
<sup>6</sup> Order as separate line item	TLPRH = 347-480VAC 3-Pin Twist Lock Photocontrol and Receptacle

## Sample Photometry

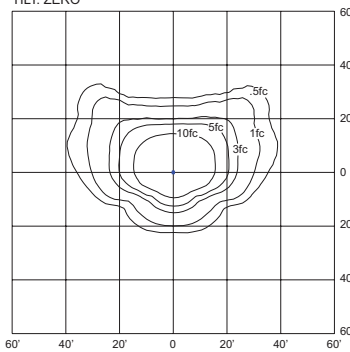
**RXAR-140-2-VS-CP (140W, 4000K)**  
 IES: TYPE II SHORT  
 MOUNTING HEIGHT: 20'  
 TILT: ZERO



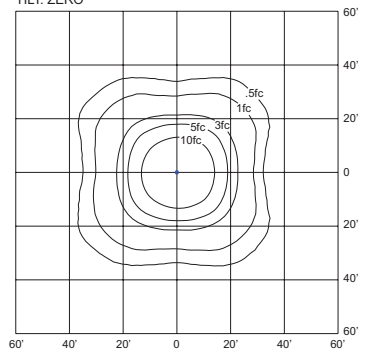
**RXAR-140-3-VS-CP (140W, 4000K)**  
 IES: TYPE III SHORT  
 MOUNTING HEIGHT: 20'  
 TILT: ZERO



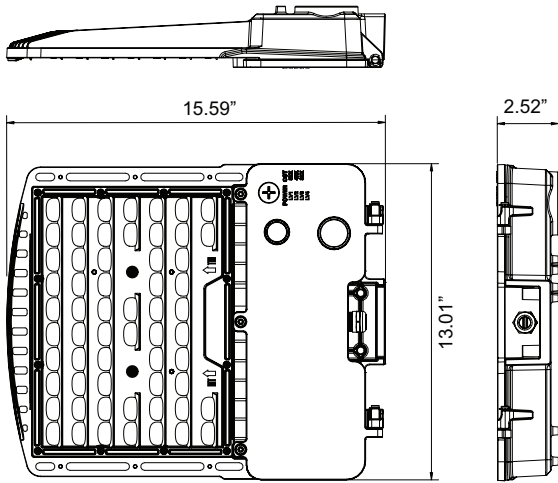
**RXAR-140-4-VS-CP (140W, 4000K)**  
 IES: TYPE IV SHORT  
 MOUNTING HEIGHT: 20'  
 TILT: ZERO



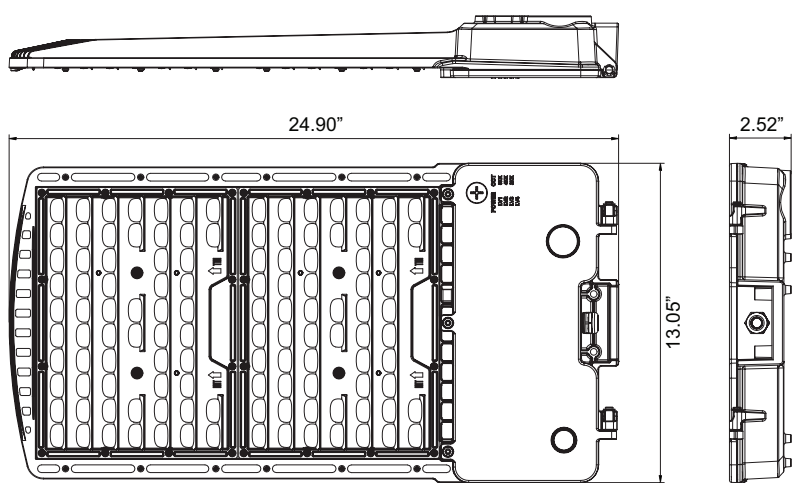
**RXAR-140-5-VS-CP (140W, 4000K)**  
 IES: TYPE VS SHORT  
 MOUNTING HEIGHT: 20'  
 TILT: ZERO



## Dimensions (100/140W)



## Dimensions (250/300/400W)



## Fixture EPA Values

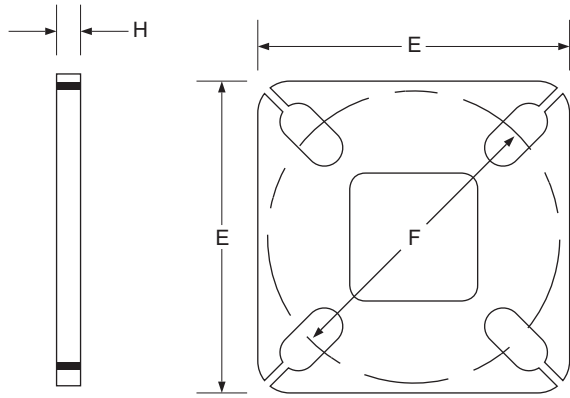
<b>Model</b>	1	2 @ 90°	2 @ 180°	3 @ 90°	3 @ 120°	4 @ 90°
<b>100/140W</b>	0.3632	0.6849	0.8861	1.0481	1.2078	1.0481
<b>250/300/400W</b>	0.4758	0.8091	1.059	1.2849	1.3923	1.2849

## Pole EPA Values (See Page 2 for Additional Pole Information)

Pole Height (ft)	20	25	30
<b>Max EPA (ft.2): 80 MPH</b>	9.6	5	10.7
<b>Max EPA (ft.2): 90 MPH</b>	6.7	2.6	6.7
<b>Max EPA (ft.2): 100 MPH</b>	4.5	1	3.9

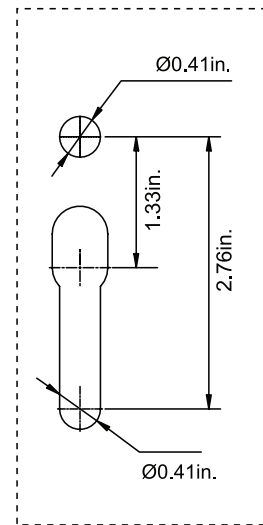
**NOTE:** Any pole accessories added in the field (such as banner or flag brackets) will affect published EPA values and may void factory warranties.

**Base Plate Details**

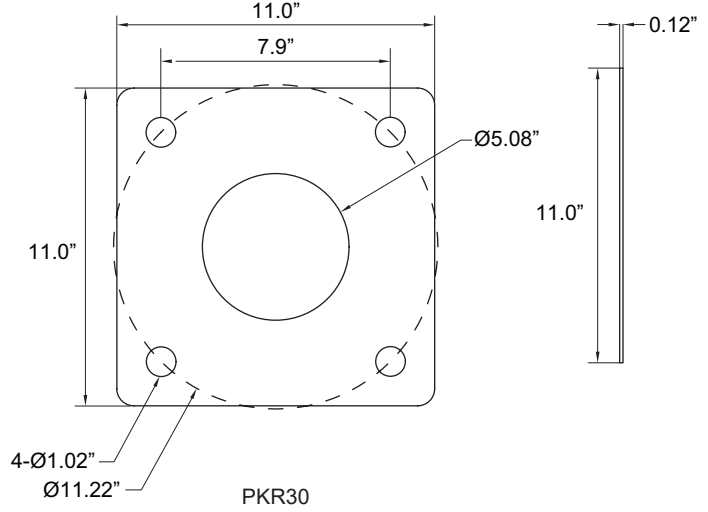
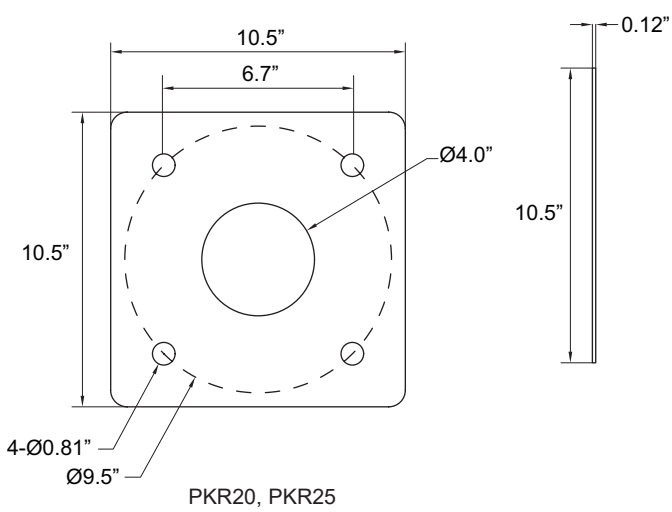


Anchor Base Size	Wall Thickness (H)	Base Plate (E)	Bolt Circle Range	Bolt Circle (F)	Bolt Projection
4"	0.75"	10.5"	8" - 11"	9.5"	3.75"
5"	1.0"	11.0"	10.6" - 12"	11.3"	4.875"

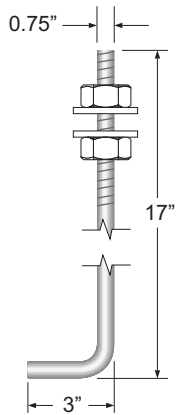
**Drilling Template (Standard Mount)**



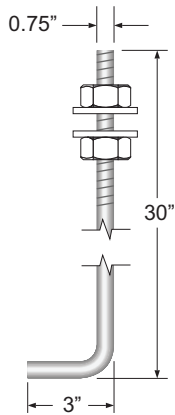
**Anchor Bolt Templates**



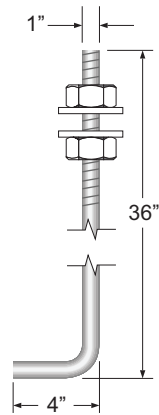
**Anchor Bolt Details**



PKR20-ANCKIT



PKR25-ANCKIT



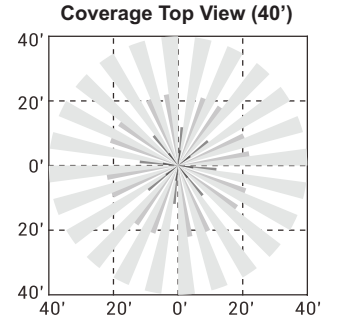
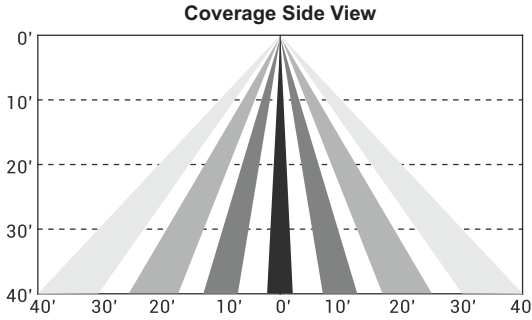
PKR30-ANCKIT

Specifications are subject to change without notice. Installation must be performed in accordance with Barron Lighting Group installation instructions.

**Sensor Details - Bluetooth Enabled (Accessory LE-MS3W-AUX-HB1)**



LE-MS3W-AUX-HB1



**SEE APP FOR SENSOR SETTINGS**

For a complete list of *litelogic* compatible products, [click here](#).



Get it from the **App Store**



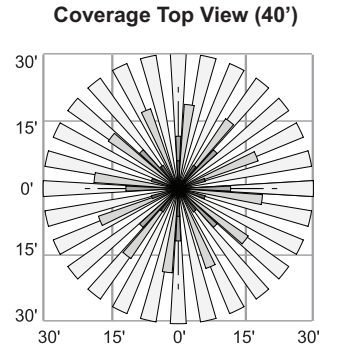
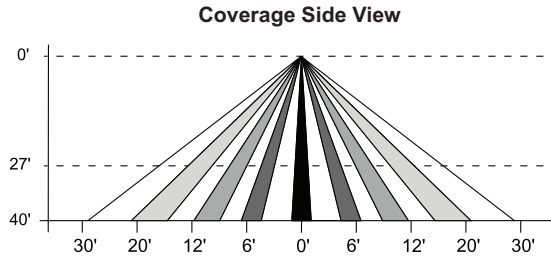
Get it from **Google Play**



**Sensor Details (Accessories TL-MSP12-BL and TL-MSSW-REMOTE)**



TL-MSP12-BL



**Sensor Settings (TL-MSSW-REMOTE)**

DETECTION RADIUS/ANGLE	MAX 60'/360°
MOUNTING HEIGHT	MAX 40'
REMOTE RANGE	MAX 33'
FREQUENCY	5.8 GHz
HIGH MODE	70%, 80%, 90%, 100% (DEFAULT 100%)
SENSITIVITY	20%, 50%, 75%, 100% (DEFAULT 100%)
HOLD TIME	10sec, 1min, 5min, 10min, 15min, 20min, 30min, 60min (DEFAULT 5min)
DAYLIGHT HARVESTING	☀️, (disabled), 10Lux, 30Lux, 50Lux, 100Lux, 150Lux, 200Lux, 300Lux (DEFAULT disabled)
STANDBY DIM SETTING	0, 10%, 20%, 30%, OFF (∞), (DEFAULT 30%)
STANDBY TIME SETTING (TO OFF)	ON (disabled), 1min, 30min, 60min (DEFAULT 30min)



TL-MSSW-REMOTE Accessory (Sold Separately)

**UL and DLC Nomenclature for Fixture Only** (RXAR fixture is UL Listed and Appears on the DesignLights Consortium® PREMIUM Qualified Product List)

Series	Wattage, Size	Distribution	Input Voltage	CCT	Finish	Mount
RXAR	100 = 40-100W, Small	2 = Type II	HVS <sup>1</sup> = 347/480VAC	CP <sup>2</sup> = CCT & Power Switchable	BL <sup>1</sup> = Black	A = Pole Mount Arm
	140 = 60-140W, Small	3 = Type III	VS = 120-277VAC		BR = Bronze	
	250 = 100-250W, Large	4 = Type IV			SV <sup>1</sup> = Gray Aluminum	
	300 = 120-300W, Large	5 = Type V			WH <sup>1</sup> = White	
	400 = 300-400W, Large					
				<b>Options</b>		
					TLPC = 120-277VAC 3-Pin Twist Lock Photocontrol and Receptacle	
					TLPC3 = 120-277VAC 7-Pin Twist Lock Photocontrol and Receptacle	
					TLPC4 = 347-480VAC 3-Pin Twist Lock Photocontrol and Receptacle	

LiteLogic Accessories <sup>3</sup> (Field Installed)	Accessories <sup>3</sup> (Field Installed)
<a href="#">LE-MS3W-BL-AUX-HB1</a> = Bluetooth PIR Motion Sensor with Daylight Harvesting, Black	RXAR-APM-XX <sup>4</sup> = Adjustable Pole Mount Arm (XX = BL; Black, BR; Bronze, SV; Gray Alum, WH; White)
TL-MSP12-BL = Dimming Occupancy Sensor, PIR, Black Finish	RXAR-HSS <sup>5</sup> - House Side Shield
TL-MSSW-REMOTE = Remote for Sensor	RXAR-L-FGS-BR = Full Glare Shield, Large, Bronze Finish (250W, 300W, 400W)
TLPR = 120-277VAC 3-Pin Twist Lock Photocontrol and Receptacle	RXAR-L-GS-BR = Glare Shield, Large, Bronze Finish (250W, 300W, 400W)
TLPR7 = 120-277VAC 7-Pin Twist Lock Photocontrol and Receptacle	RXAR-S-FGS-BR = Full Glare Shield, Small, Bronze Finish (100W, 140W)
TLPRH = 347-480VAC 3-Pin Twist Lock Photocontrol and Receptacle	RXAR-S-GS-BR = Glare Shield, Small, Bronze Finish (100W, 140W)
	RXAR-SF-XX <sup>4</sup> = Slip fitter Mount (XX = BL; Black, BR; Bronze, SV; Gray Alum, WH; White)
	RXAR-WM-XX <sup>4</sup> = Wall Mount (XX = BL; Black, BR; Bronze, SV; Gray Alum, WH; White)
<sup>1</sup> 70 CRI only, longer lead times may apply, consult factory	RXA-SW-XX <sup>4</sup> = Swivel Mount (XX = BL; Black, BR; Bronze, SV; Gray Alum, WH; White)
<sup>2</sup> 400W Switchable between 4000K/5000K, static 3000K option available - consult factory	RXA-TR-XX <sup>4</sup> = Trunnion Mount (XX = BL; Black, BR; Bronze, SV; Gray Alum, WH; White)

**Notes**

- <sup>1</sup> 70 CRI only, longer lead times may apply, consult factory
- <sup>2</sup> 400W Switchable between 4000K/5000K, static 3000K option available - consult factory
- <sup>3</sup> Order as separate line item - Shipped in separate box for final installation in the field
- <sup>4</sup> Black (BL), Gray Aluminum (SV), and White (WH) finishes may require longer lead times, consult factory
- <sup>5</sup> Two (2) pieces required for 250W, 300W, and 400W units