



IMPORTANT SAFEGUARDS READ AND FOLLOW ALL SAFETY INSTRUCTIONS.

When using electrical equipment, basic safety precautions should always be followed including the following:

- **DISCONNECT AC POWER SUPPLY BEFORE SERVICING.**
- Installation and servicing of this equipment should be performed by qualified service personnel only.
- Ensure that the electrical wiring conforms to the National Electrical Code NEC® and local regulations if applicable.
- Do not mount near gas or electrical heaters.
- Do not use outdoors.
- Equipment should be mounted in locations and at heights where it will not be readily subjected to tampering by unauthorized personnel.
- The use of accessory equipment not recommended by the manufacturer may cause an unsafe condition.
- Any modification or use of non-original components will void the warranty and product liability.
- Do not use this equipment for other than intended use.
- Allow battery to charge for 24 hours before first use.
- For use with metal enclosed wiring systems.

SAVE THESE INSTRUCTIONS!

Technical Support ■ (623) 580-8943 ■ technicalsupport@barronltg.com

Wall Mount (Back Power Feed) Installation (Fig. 2)

1. Insert a flat blade screwdriver into the two slots and pry off then remove front cover from back plate. (Fig. 1)
2. Remove appropriate knockout in back plate and mount back plate to J-Box.
3. Knockout center of back plate and feed wires through the hole.
4. Secure backplate to J-Box
5. Connect the fixture wires to the power supply wires using the wire nuts provided. Connect the white wire to neutral, connect the black wire to the hot lead. Cap the unused lead. Press the wires into the J-Box (Fig. 5)
6. Connect remote wires if this item has remote capability. (Fig. 6 and 7)
7. Plug male battery connector into female batter connector on PCBA. (Fig. 2)
8. Snap front cover on the back plate.
9. Restore power and press test button. LED heads will turn on.
10. Adjust the lamp heads direction as needed.

Wall Mount (Top Power Feed) Installation (Fig. 3)

1. Open front cover and remove top knockout on the top flange of the fixture.
2. Secure conduit (or surface raceway) to knockout and feed wires.
3. Remove appropriate knockout on back plate and mount to wall.
4. Refer to steps 5-10 above in Wall Mount (Back Power Feed).

Ceiling Mount Installation (Fig. 4)

1. Refer to Wall Mount (Back Power Feed) instructions.
2. Mounting differences:
 - Mount back plate on the ceiling surface instead of wall surface.
 - Feed building AC supply wire through back plate then connect to fixtures power supply wires using wire nuts provided.

Fig. 1

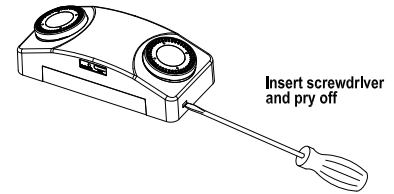


Fig. 2

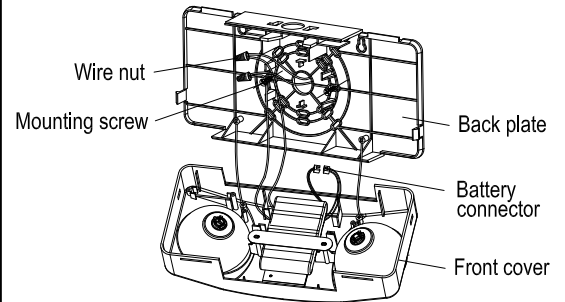


Fig. 3

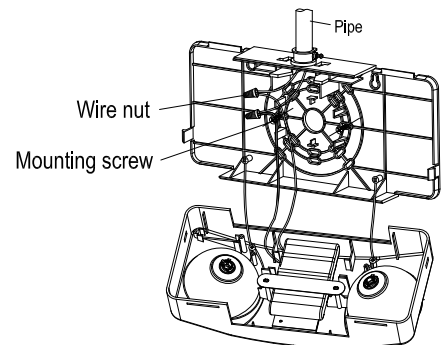
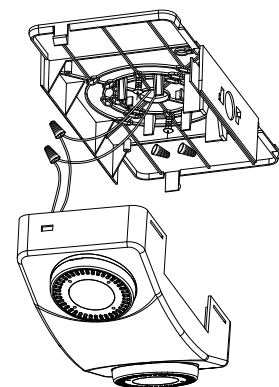
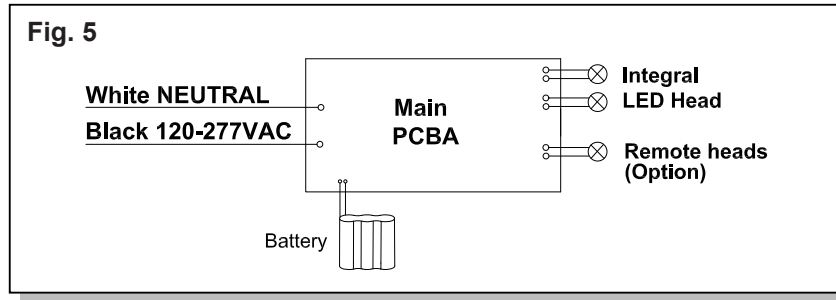


Fig. 4



Wiring Diagram (Fig. 5)



Operation

The battery in this unit may not be fully charged. After electricity is connected to the unit for at least 24 hours, then normal operation of this unit should take effect. To check, press the “TEST” button. The EXIT sign should stay illuminated by battery backup and the LED indicator will be turned off. Release the “TEST” button, LED indicator will be turned on.

In accordance with NFPA 101, your emergency lighting system must be tested monthly for a minimum of 30 seconds and annually for 90 minutes. Refer to your local codes for any additional requirements that may apply.

Testing and Reporting Instructions (-G2 and -G3 models)

1. When AC power is supplied to fixture, the unity will automatically initiate a self-test and self-diagnostic test as follows:
 - Verifies battery disconnection, charger board failure at every 5 seconds.
 - 1 minute self-testing every month.
 - 30 minutes self-testing on every 6 months after installation.
 - 90 minutes self-testing on every 12 months after installation.
2. Dual color LED lamp indicator shows the following status:
 - Green color: On / Ready
Blinking: Testing
 - Red color: (Service Alert)
 - Service Alert LED Code (Red color LED lamp indicator)

●	One blink ON/pause (4 seconds)	Battery is not connect
●●	Two blinks ON/pause (4 seconds)	Battery voltage too low
●●●	Three blinks ON/pause (4 seconds)	Charger board circuit fault
●●●●	Four blinks ON/pause (4 seconds)	Transfer function failure
●●●●●	Five blinks ON/pause (4 seconds)	Integral lamp fault
●●●●●●	Six blinks ON/pause (4 seconds)	Remote head's emergency lamp fault (option)

Note: After solving the fault of emergency equipment, please press test button for 2 seconds then release to reset. LED indicator will show green.

2. “-G2” and “-G3” models also have a manual test function, press test button as follows:

Press test button once (within 2 seconds)	30 seconds discharge test
Press test button twice (within 2 seconds)	3 minutes discharge test
Press test button 3 times (within 2 seconds)	30 minutes discharge test
Press test button 4 times (within 2 seconds)	90 minutes discharge test
*Press and hold test button for 8 seconds	Fixture will leave network and reset itself

*Note: only applies to “-G3” models. If you have problem to initiate provisioning or if you know the unit belongs to other Guardian Network

Networking Operations for "-G3" Models

Model with "-G3" suffix is our world winning design equipped with "wireless testing and reporting" features. Unit that has "-G3" suffix in its model number is capable of joining **Guardian** emergency lighting management system. It will be part of a large testing system to be tested and report result wirelessly.

Once powered up and commissioning allowed, unit will automatically join **Guardian** network and get provisioned. Upon the completion of the commissioning, unit will perform testing and report based on set schedules.

For more information about commissioning, configurations and testing, please visit website, <https://www.barronltg.com> for details.

Remote Heads Connection Instructions (Option)

1. Remove ground male connector from the female connector. (Fig. 6)
2. Plug the remote male connector into the female connector. (Fig. 7)
3. Connect extended remote head wires to the remote wires using wire nuts. Yellow is positive (+) and the purple is negative (-). (Fig. 7)

