

The NFT-G3 Series high-power LED emergency lighting unit provides industry leading 125' path of egress spacing. Suited for larger areas and egress paths such as warehouses, factories, lengthy corridors, large department store retailers and schools. This series eliminates the need for multiple emergency lighting units.

The **GUARDIAN G3** remote monitoring and reporting system from Exitronix simplifies code compliance and significantly reduces operating and maintenance costs by offering automated testing, remote monitoring and reporting of emergency fixture status from a centralized location. For standard fixtures without remote monitoring and reporting, [click here](#).

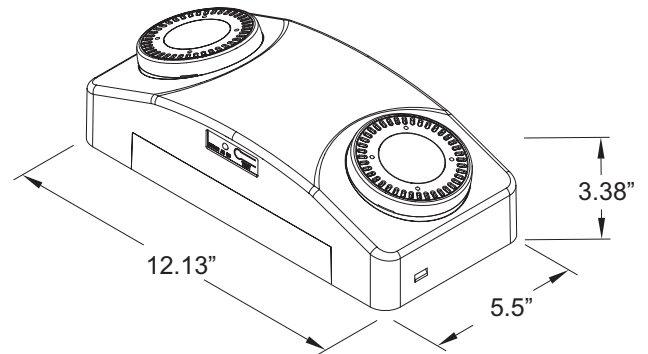
FEATURES AND BENEFITS

- Includes GUARDIAN G3 self-test/self-diagnostics with remote monitoring and reporting
- Eco-friendly, long-life, high-density LiFePO4 battery pack
- Remote capability up to 5.4W (Not available with NFT-HO-G3 units), compatible with [RL1-WP](#) and [MLED](#) remote lamps
- UL 924 Listed for Damp Locations
- California Energy Commission (CEC) compliant

SPECIFICATIONS

Illumination:	Standard NFT-G3 includes two 2.7W LED lamp heads High-output NFT-HO-G3 includes two 5.4W LED lamp heads
Housing:	UL 5VA flame-rated thermoplastic housing
Input:	120-277VAC, 50/60Hz
Battery:	Maintenance-free LiFePO4 battery
Operating Temp:	10°C to 40°C (50°F to 104°F)
Run Time:	UL Listed 90 minute emergency run time, 24 hour recharge time
Electrical:	Low voltage disconnect, overload disconnect, short circuit disconnect, solid state transfer
Mounting:	Surface ceiling or wall
Finishes:	Black or White
Options:	R - Remote Capable (5.4 Watts - NFT-G3 only), compatible with RL1-WP and MLED remote lamps
Certifications:	UL 924 Listed for Damp Locations, Meets or exceeds NFPA 101 Life Safety Code, NEC, OSHA, and California Energy Commission (CEC) requirements
Warranty:	Any component that fails due to a manufacturing defect is guaranteed for five years with a separate three year prorated warranty on the battery. The warranty does not cover physical damage, abuse or instances of uncontrollable natural forces. See the full Exitronix warranty document for detailed information. (Terms and Conditions Apply)

Model: _____ Date: _____
 Accessories: _____
 Job Name: _____ Type: _____



ORDERING INFORMATION Example: NFT-HO-W-G3 For standard fixtures without remote monitoring and reporting, [click here](#).

Series	Finish	Self-test/Self-diagnostics
NFT = (2) 2.7W LED Lamps	B = Black	G3 ¹ = Self-test/Self-diagnostics, Remote Monitoring and Reporting
NFT-HO = (2) 5.4W LED Lamps	W = White	G3PRO ^{1,2} - Self-test/Self-diagnostics, Remote Monitoring and Reporting w/Automated Email Notifications
Options (Factory Installed)		
R ³ = Remote Capable (5.4W), not compatible with NFT-HO		
Accessories⁴ (Field installed, order as separate line item)		
GTWY-PRIMARY - Primary Remote Reporting Gateway		
GTWY-SECONDARY - Secondary Remote Gateway, Extends Range		
ROUTER - Wireless Internet Router		
TAB10 - 10" Tablet, Includes Guardian G3 Software		
TAB12 - 12" Tablet, Includes Guardian G3 Software		
WALLBRKXX - Tablet Wall Bracket (XX = Specify 10" or 12" Tablet)		
Notes		
WALLBRK-LOCKXX - Locking Wall Bracket (XX = Specify 10" or 12" Tablet)		
¹ Requires additional equipment, consult factory for details	STANDBRKXX - Tablet Stand (XX = Specify 10" or 12" Tablet)	
² Requires internet connection, supplied by facility	STANDBRK-LOCKXX - Locking Tablet Stand (XX = Specify 10" or 12" Tablet)	
³ Compatible with RL1-WP and MLED remote lamps	WG-S = Wire Guard (Back Mount)	
⁴ Order as separate line item	WPV-2 = Wet Location/Vandal Guard (Back Mount)	

ELECTRICAL RATINGS

Model	LiFePO4 Battery	Overload Disconnect	Short Circuit Disconnect	Solid State Transfer	Input				Output		
					VAC	Hz	mA	W	Lamps	Lumens	Remote Capability
NFT-X-G3	9.6V 1500mAh	Yes	Yes	Yes	120-277	50/60	55	4.3	2 x 2.7W	600 lm	N/A
NFT-X-G3-R	9.6V 3000mAh	Yes	Yes	Yes	120-277	50/60	55	4.3	2 x 2.7W	600 lm	9.6V 5.4W
NFT-HO-X-G3	9.6V 3000mAh	Yes	Yes	Yes	120-277	50/60	55	4.3	2 x 5.4W	1300 lm	N/A

CONSTRUCTION

Precision molded unit and lamp housings constructed of UV-stable UL 5VA flame-retardant, corrosion-resistant thermoplastic. Units resist denting, peeling, scratching and corrosion. Tool-less access provided for easy maintenance.

ILLUMINATION

Two fully adjustable lamp heads allow for maximum light to be delivered to the path of egress. Fixtures are supplied with high-powered LED lamp optics that deliver up to 125' on center spacing (high-output NFT-HO-G3 Series) with up to 1300 total lumens output. The standard NFT-G3 unit delivers up to 70' on center spacing with 600 total lumens output. The LEDs have an estimated life over 50,000 hours with normal use.

ELECTRICAL

Input

Wide input voltage range of 120-277VAC @ 50/60Hz.

LiFePO₄ (Lithium Phosphate) Battery

Exitron LiFePO₄ batteries are environmentally friendly as well as thermally and chemically stable which makes them one of the safest batteries to use. With an extremely low discharge rate and high-power density the unit is able to provide unsurpassed performance. A fully charged pack will disconnect from the charging circuit, drawing no power. This feature significantly reduces the amount of wasted power when multiplied by the number of units installed. The cells' chemistry allows for environmentally friendly disposal making it one of the "greenest" energy sources available.

Emergency

The NFT-G3 Series will operate for a minimum of 90 minutes during a loss of power with a 24 hour maximum recharge time for the battery.

Test Button

Our test button is easy to locate and allows for manual verification of proper operation of the transfer circuit and emergency lamps.

Damp Location Rated

Damp Location Rated fixture that is normally or periodically subject to condensation of moisture in, on or adjacent to, and includes partially protected locations.

INSTALLATION

A universal J-box mounting pattern and rear keyhole slots are provided for wall or ceiling mounting. Optional I-beam mounting bracket is available for mounting to poles, I-beams or strut metal framing.

GUARDIAN G3 Self-test/Self-diagnostics, Remote Monitoring and Reporting

The circuit continuously monitors the operating condition of the AC power, battery supply voltage and charging circuit.

The purpose of this option is to provide visual signaling in response to a fault at the unit equipment battery and/or battery charger. If a failure is detected, visual status will occur immediately via the dual color LED. Refer to instruction manual for detailed information.

The circuit also monitors the transfer circuit as well as performing automatic code compliance testing.

The GUARDIAN G3 remote monitoring and reporting system provides wireless communication between emergency fixtures, enabling maintenance personnel to maintain and test emergency lighting equipment from a central location. System requires additional equipment and setup, consult factory for more information.

GUARDIAN G3PRO Self-test/Self-diagnostics, Remote Monitoring and Reporting with Automated Email Notifications

The G3PRO model has the features of the standard G3 but adds automated email notifications of fixture status reports (requires internet connection, supplied by facility).

OPTIONS

Remote Capable (Option: R - Not available with NFT-HO-G3 units)

The R option provides an additional 5.4W of remote capability, compatible with [RL1-WP](#) and [MLED](#) remote lamps.

CONFORMANCE TO CODES & STANDARDS

The NFT-G3 Series is UL 924 Listed for Damp Locations and meets or exceeds the following: CEC (T20), NEC requirements and NFPA 101.

ON-CENTER SPACING (Multiple units mounted at a typical 7.5 foot height)

Model	# of LED Lamps	3' Path, 6' Corridor	6' Path, 6' Corridor
NFT-G3	2	70'	63'
NFT-HO-G3	2	125'	115'

Barron assumes no responsibility for local requirements or specific project variables.
This is a guideline to be used as a design aid, not as a guarantee of any code compliance.

