

The NF5 is a dramatically compact, extreme low-profile, architectural linear emergency unit offering exceptional over-the-door lighting with a 90° full cut-off light distribution. An optional mullion mount for typical glass front entrances or dividing walls provides an architectural unique look to the building's emergency lighting.

FEATURES & BENEFITS

- Illuminates a uniform 12' x 25' area providing safe and effective outdoor emergency egress lighting
- Low-profile, linear design
- 10W or 20W of LED emergency power
- Optional PathSafe security/night lighting (SEC) allows the fixture to be used as an emergency lighting and as security/night lighting fixture
- Optional Guardian (G2) Self-test/Self-diagnostics available
- Optional mullion mount canopy
- American Recovery and Reinvestment Act (ARRA) compliant

SPECIFICATIONS

Illumination: 10W or 20W LED (5300 CCT standard)

Housing: Die-cast aluminum housing

Input: 120/277VAC Dual primary, 60Hz

Battery: Maintenance-free NiMH battery

Run Time: ETL Listed 90 minute emergency run time, 24 hour recharge time

Electrical: Low voltage disconnect eliminates deep discharge. Brownout, overload and short circuit protection

Operating Temp: Standard models: -20°C to 40°C (-4°F to 104°F)
Mullion Mount models: -40°C to 50°C (-40°F to 122°F)
NOTE: Security Lighting (SEC) is required for operations at -40°C

Mounting: Wall mounted with universal J-box mounting pattern and gasket, or conduit mounted from top of fixture

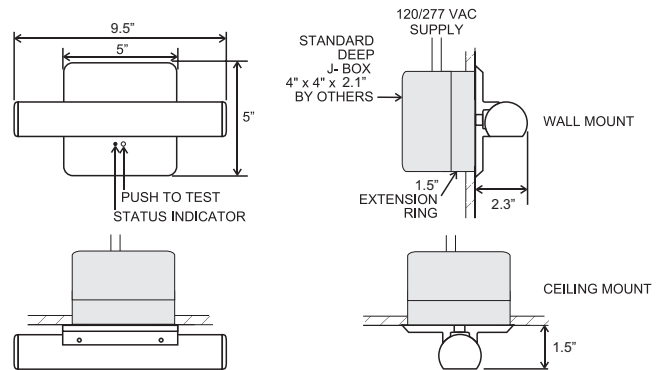
Finishes: Brushed Aluminum, Bronze or White

Options: 29K = 2900K CCT lens filter
32K = 3200K CCT lens filter
38K = 3800K CCT lens filter
G2 = Self-test/Self-diagnostics
SEC 120 = Security Lighting/Night Lighting- 120VAC
SEC 277 = Security Lighting/Night Lighting - 277VAC

Certifications: ETL Listed for Wet Locations, IP66 rated, meets or exceeds NEC requirements and NFPA 101

Warranty: Any component that fails due to a manufacturing defect is guaranteed for five years with a separate five year prorated warranty on the battery. The warranty does not cover physical damage, abuse or instances of uncontrollable natural forces. See the full Extronix warranty document for detailed information and product registration instructions. (Terms and conditions apply)

Model: _____ Date: _____
 Accessories: _____
 Job Name: _____ Type: _____



LED Wattage Model	Fixture Length (L)
10L	10"
20L	21"
20L (With Mullion Mount)	19"

ORDERING INFORMATION Example: NF5-WB-10L-WM-WH-G2

Series	Power Source	LED Wattage	Mounting	Finish	Options (Factory Installed)
NF5	LB ¹ = AC Only	10L = 10W	CM = Ceiling Mount	BA = Brushed Aluminum	29K ¹ = 2900K CCT Lens Filter
	WB ² = With Battery	20L ^{1,3} = 20W	MTM ⁴ = Mullion Top Mount Canopy MWM ⁴ = Mullion Wall Mount Canopy	BR ¹ = Bronze WH = White	32K ¹ = 3200K CCT Lens Filter 38K ¹ = 3800K CCT Lens Filter
Notes			WM = Wall Mount	G2 = Self-test/Self-diagnostics	
¹ Not an ETL Listed feature					SEC120 ⁵ = Security Lighting/Night Lighting - 120VAC
² Requires 1.5" J-box extension ring					SEC277 ⁵ = Security Lighting/Night Lighting - 277VAC
³ LB Units only					
⁴ Mullion mounting includes 2.5" x 5" mounting canopy with remote power supply, SEC option is required when operating at -40°C (-40°F)					
⁵ SEC Options only available with WB Power Source					

CONSTRUCTION

The NF5 Series has a rugged, precision, low-profile design with die-cast aluminum housing including one piece molded weatherproof gasket. Corrosion-resistant, stainless steel hardware is standard. Heat and impact-resistant prismatic polycarbonate lens resists discoloration.

ILLUMINATION

Fixtures are supplied with high-powered Cree LEDs offering 10W of light output. Optical lenses on the LED module combined with the prismatic polycarbonate lens produce an optimized elongated pattern of light throughout the path of egress. Unique housing design, lens and mounting provide a 90° full cut-off light distribution. The high-performance LEDs have an expected life over 50,000 hours with normal use.

Lamps are connected in parallel – if one lamp fails, the balance of the lamps will continue to operate.

ELECTRICAL

Input
120/277VAC, 50/60Hz

Nickel Metal Hydride Battery – NiMH (Standard)
Exitronix NiMH batteries are maintenance-free.

Emergency
The NF5 will operate for a minimum of 90 minutes during a loss of power with a 24 hour minimum recharge time for the battery. The power supply delivers a regulated current and voltage to LED lamps to optimize lamp life. A momentary test switch and LED charge indicator are included.

Brownout Circuit
The brownout circuit monitors the line voltage. As the line voltage sags and can no longer provide adequate voltage, the emergency lighting circuit will turn on to supply power to the emergency lamps for 90 minutes until the line voltage is restored.

Low Voltage Disconnect
Low Voltage Disconnect (LVD) measures the battery terminal voltage and if it should fall below a preset voltage threshold, the LVD will disconnect the load. When the battery is recharging and voltage is raised above another preset threshold, the load is automatically reconnected.

Solid-State Transfer
The circuit features solid-state switching for emergency lamps, eliminating concerns of damaged contact or mechanical failures associated with relays. The switching circuit detects a loss of line voltage and automatically switches to emergency mode.

Overload and Short Circuit Protection
The overload monitoring system in the DC circuit disconnects the lamp load from the battery should excessive wattage demands be made.

Test Button
The test button is easy to locate and provides manual verification of the transfer circuit and emergency lamps.

INSTALLATION
For wall or ceiling mount applications, the standard NF5 emergency unit requires the rough-in of a standard deep J-box with a 1.5" extension ring supplied by others. For mullion top or wall mount installations of the linear Nightfall unit, a remote power supply is included to house the electronic components and power the remotely installed fixture. The mullion mounted linear unit should be installed within 100' of remote power supply for typical applications. The mullion mounted linear remote power supply is for use with a standard masonry box, 3 3/4" x 3 1/2" x 7 3/8" (supplied by others). Typical stock models: Crouse-Hinds #TP693 or RACO # 698.

ARRA Compliant
Complies with the American Recovery and Reinvestment Act of 2009 (ARRA) requirements and Buy American provisions.

Wet Location Rated

Wet Location Rated fixtures can be used in applications where moderate contact with water can be expected. Wet Location Rated products are designed to be reasonably watertight; they require a seal around the base, canopy, or bracket to protect the electrical service from moisture.

IP66 Rated

IP66 Rating ensures that the product can be installed in outdoor applications where significant water or dust may come in contact with the fixture. IP66 Rated fixtures are designed to perform in hose down applications.

OPTIONS

Guardian Self-Test/Self-Diagnostics (Option: G2)

The Guardian circuit continuously monitors the operating condition of the AC power, battery supply voltage, emergency lamp continuity and charging circuit.

The purpose of this option is to provide visual signaling in response to a possible fault. If a failure is detected, visual status will occur immediately via the CHARGER LED and/or the BATTERY FAULT LED. The LEDs will stay illuminated until the fault is corrected.

The Guardian circuit also monitors the transfer circuit and performs automatic code compliant testing. The Guardian circuit will perform a 30 second discharge and self-test every 28-30 days. A 90 minute discharge and self-test is performed every six months.

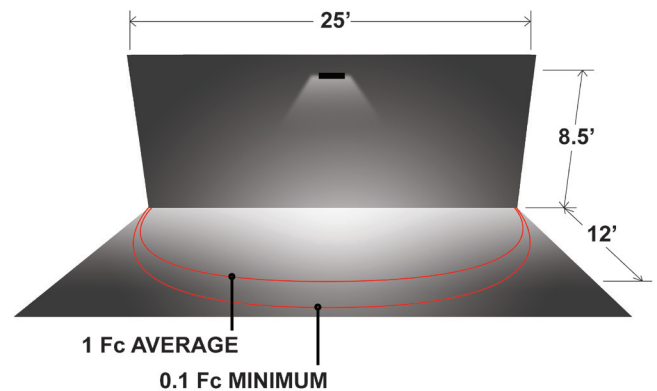
PathSafe Security Lighting/Night Light (Option: SEC)

The PathSafe option allows the fixture to be used both as an emergency lighting fixture and security/night lighting fixture. Models with battery backup and the PathSafe option will operate each LED at 2W (SEC option) offering 50% output when in security lighting mode when connected to the active building AC supply and wired according to the installation instructions. The security lighting circuit is independent of emergency lighting and may be switched manually by exterior photocell (supplied by others) or other automatic means.

CONFORMANCE TO CODES & STANDARDS

The NF5 linear series is ETL Listed and meets or exceeds the following: UL 924, NEC requirements and NFPA 101. American Recovery and Reinvestment Act (ARRA) compliant

SPACING GUIDELINES



NOTE: 10W Model Shown

Spacing guidelines are designed to achieve a 1 foot-candle average and a 0.1 foot-candle minimum with a 40:1 or less max/min ratio. Guidelines are intended to be used as a design aid and are not a guarantee of code compliance. Manufacturer assumes no responsibility for local requirements or specific project variables.