

DESCRIPTION

Trace-Lite's LPX Series backlit LED panel is a cost-effective solution that offers incredible performance in an energy-efficient package. The LPX is available in 2' x 2' and 2' x 4' configurations with configurations up to 7,100 lumens. Available in four dedicated color temperatures to fit your project needs. This series is ideal for office spaces, schools, hospitals, and any indoor location that requires even illumination and lower maintenance. The LPX Series is compatible with most standard T-bar grid ceilings and includes 0-10V dimming standard. DesignLights Consortium® (DLC) Qualified to maximize energy savings and utility rebates.

CONSTRUCTION

- Cold rolled carbon steel enclosure in a white finish
- Aluminum frame with seamless corners
- Recessed design fits most standard T-bar grid ceilings, only 1.4" thickness
- Backlit design, LEDs sit at the back of the enclosure aimed directly at the diffuser to evenly illuminate the entire surface of the panel
- Sturdy frame prevents warping due to the slightly more elevated profile

OPTICS/LEDS

- 3000K, 3500K, 4000K and 5000K CCT available
- For color and power selectable panels, see the [LPX-CP Series](#)
- CRI ≥80
- Efficacy up to 126 lumens per watt
- L70 > 50,000hrs
- UV-stabilized optical lenses over the LEDs that will not yellow over time
- Polystyrene lens for optimized light diffusion

ELECTRICAL

- Universal 120-277VAC, 50/60Hz
- Power Factor > 0.90
- 0-10V Dimming driver
- Power supply with high power factor of 90% typical

INSTALLATION

- Unit simply lifts through grid ceiling and rests on T-bars
- Easy installation in new construction or retrofit
- Standard recessed mounting in most 2' x 2' or 2' x 4' grid ceilings
- Earthquake clips included

TESTING & COMPLIANCE

- cULus listed for Damp Locations, rated for insulated ceilings (IC rated)
- DesignLights Consortium® (DLC) Qualified (Some models PREMIUM qualified) Not all versions of this product may be DLC qualified. Please check the DLC Qualified Products List at www.designlights.org/QPL to confirm which versions are qualified.
- IP20 rated
- Operating temperatures: -20°C to 40°C (-4°F to 104°F)

Accessories:

- Bluetooth PIR motion sensor with daylight harvesting, white finish, 12VDC ([LE-MS-ECO3](#))
- Bluetooth fixture controller, 120-277VAC, 60Hz, 6A Max ([LE-C1](#))
- Bluetooth wall switches (LE-SWX)
- Optional surface mount kit (LPX-22-SMK and LPX-24-SMK)
- Optional flange mount kit (LP22-FMK and LP24-FMK)
- Suspension mount kit (LPX-CMK)
- Field-installed battery packs available for emergency egress lighting (LBDX Series)
- Field-installed 6' Metal clad whip (6 conductor, #18, for use in dimming applications)

WARRANTY

- Five year warranty (terms and conditions apply)

Model: _____ Date: _____
 Accessories: _____
 Job Name: _____ Type: _____



Specs At A Glance*			
Model	LPX-22-40 (2' x 2')	LPX-24-40 (2' x 4')	LPX-24-60 (2' x 4')
Wattage (W)	40W	40W	60W
Lumens (lm)	4,201 - 4,335	4,266 - 4,414	7,137 - 7,146
CCT	3000K, 3500K, 4000K, 5000K		
Efficacy (LPW)	Up to 112 LPW		Up to 126 LPW
CRI	> 80		
Input Voltage	120-277VAC, 50/60Hz, 0-10V Dimmable		
Operating Temp	-20°C to 40°C (-4°F to 104°F)		
Certifications	cULus Listed for Damp Locations (IC Rated) DLC (LPX-22-40, LPX-24-40) DLC PREMIUM (LPX-24-60)		
Warranty	5 Years		
Weight	2.0lbs	4.0lbs	

*Nominal Wattage. Tested at 5000K CCT.

See performance table for more detailed lumen information.

ORDERING INFORMATION

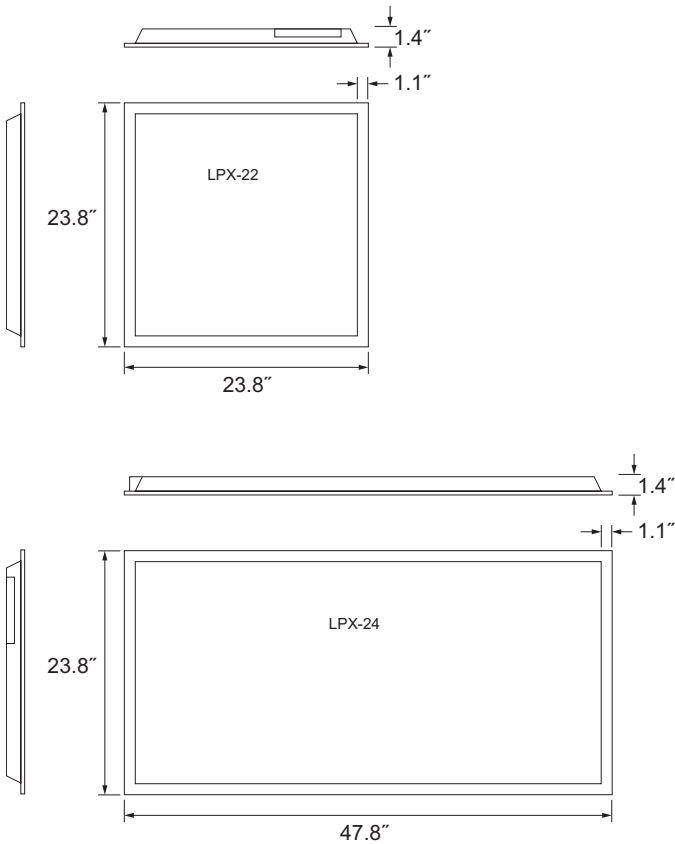
Example: LPX-24-60-35K-P

Series/Size/Wattage	CCT	Configuration	litelogic Accessories ⁷ (Field installed)
LPX-22-40 ¹ = 2' x 2', 40W (Standard only)	3K ^{3,4} = 3000K	Blank ⁵ = Standard	LE-MS-ECO3 = Bluetooth PIR Motion Sensor with Daylight Harvesting, White Finish, 12VDC (1 Per Room)
LPX-24-40 ² = 2' x 4', 40W (Standard only)	35K ⁴ = 3500K	P ⁶ = Premium	LE-C1 = Bluetooth Fixture Controller, 120-277VAC, 60Hz, 6A Max (1 Per Fixture)
LPX-24-60 ² = 2' x 4', 60W (Premium only)	4K = 4000K		LE-SW2 = Bluetooth Enabled, 5-Button, Battery Powered Wall Switch
	5K ⁴ = 5000K		LE-SW3 = Bluetooth Enabled, 3-Button, Line Voltage Wall Switch (Neutral Required)
			LE-SW4 = Bluetooth Enabled, 7-Button, Line Voltage Wall Switch (Neutral Required)
			LE-WP = Wallplate for LE-SW2

Notes	Accessories ⁷ (Field Installed)
¹ Panels are packaged in quantity of four (4pcs/carton)	LBDX-5-CP-C ⁸ = 5W Constant Power Emergency LED Driver
² Panels are packaged in quantity of two (2pcs/carton, 4pcs/master carton)	LBDX-10-CP-C ⁸ = 10W Constant Power Emergency LED Driver
³ Not a DLC qualified model	LBDX-13-CP-C ⁸ = 13W Constant Power Emergency LED Driver
⁴ Available while supplies last on LPX-22-40 and LPX-24-40	LP-EMBKT ⁹ = Mounting bracket accessory for LBD emergency driver
⁵ Select this option for LPX-22-40 & LPX-24-40 (only option available)	LPX-CMK = Y-Cable Suspension Mount Kit
⁶ Select this option for LPX-24-60 (only option available)	LP22-FMK = 2' X 2' Flange Mount Kit
⁷ Order as a separate line item. Shipped in a separate box for final installation in the field	LP24-FMK = 2' X 4' Flange Mount Kit
⁸ See back page for battery pack lumen output. Not compatible with LPX-xx-SMK kit. Consult LBD spec sheet for more details on battery pack, must be remote mounted	LPX-22-SMK = 2' x 2' Surface Mount Kit
⁹ Not compatible with LPX-xx-SMK or LPXX-FMK kits. Only compatible with 2x2 and 2x4 units	LPX-24-SMK = 2' x 4' Surface Mount Kit
	MC6-6 = Metal Clad 6' (6 conductor) #18 Leads whip (for use in dimming applications)

For color and power selectable panels, see the [LPX-CP Series](#)

Dimensions



Sample Photometry

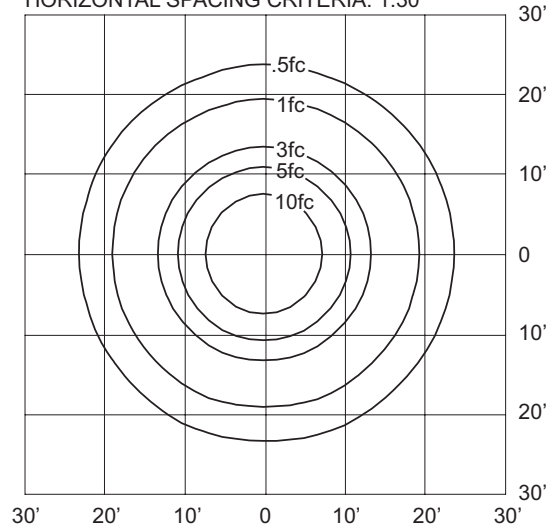
LPX-24-60-4K-P

IES: TYPE VS Very Short

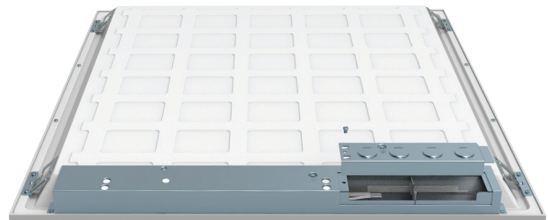
MOUNTING HEIGHT: 10'

TILT: ZERO

HORIZONTAL SPACING CRITERIA: 1.30



Driver Box Detail



Specifications are subject to change without notice.
Installation must be performed in accordance with
Barron Lighting Group installation instructions.

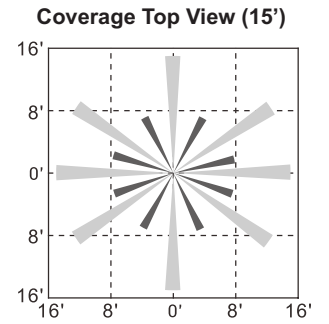
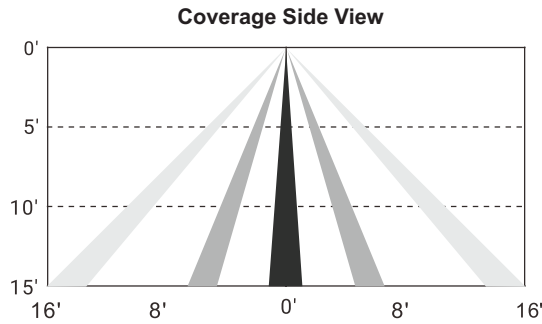
10810413 Rev 8

PERFORMANCE TABLE

Model	Lumens	Wattage	CCT	Battery Backup Lumens			LPW	Power Factor	CRI	DLC Qualified
				LBDX-5-CP-C	LBDX-10-CP-C	LBDX-13-CP-C				
LPX-22-40-3K*	4180	30	3000K	495	990	1287	110	0.9	80	NOT LISTED
LPX-22-40-35K*	4201	30	3500K	499	999	1298	111	0.9	80	STANDARD
LPX-22-40-4K	4242	40	4000K	499	999	1298	111	0.9	80	STANDARD
LPX-22-40-5K*	4323	40	5000K	499	999	1298	111	0.9	80	STANDARD
LPX-24-40-3K*	4180	40	3000K	495	990	1287	110	0.9	80	NOT LISTED
LPX-24-40-35K*	4266	20	3500K	504	1008	1310	112	0.9	80	STANDARD
LPX-24-40-4K	4315	20	4000K	499	999	1298	111	0.9	80	STANDARD
LPX-24-40-5K*	4414	20	5000K	504	1008	1310	112	0.9	80	STANDARD
LPX-24-60-3K-P	7100	30	3000K	562	1125	1462	125	0.9	80	NOT LISTED
LPX-24-60-35K-P	7137	30	3500K	567	1134	1474	126	0.9	80	PREMIUM
LPX-24-60-4K-P	7140	30	4000K	567	1134	1474	126	0.9	80	PREMIUM
LPX-24-60-5K-P	7146	40	5000K	567	1134	1474	126	0.9	80	PREMIUM

* Available while supplies last

Sensor Details - Bluetooth Enabled (Accessories LE-MS-ECO3 & LE-C1) [Click here for sensor details](#)



**SEE APP FOR
SENSOR SETTINGS**

For a complete list of *litologic* compatible products, [click here](#).



Get it from the **App Store**

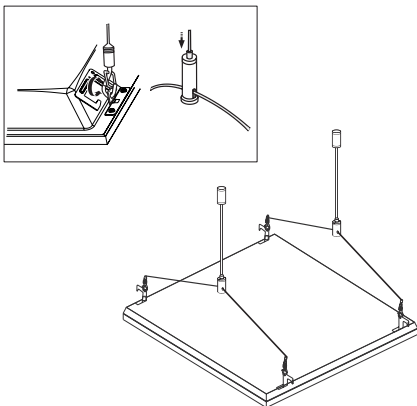


Get it from **Google Play**



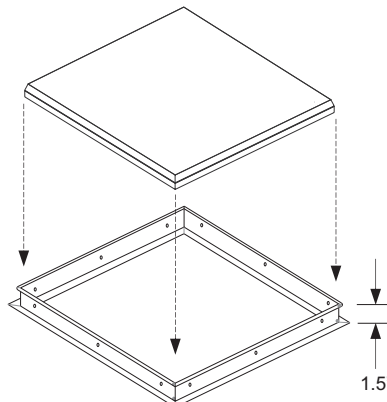
Cable Mount Kit (LPX-CMK)

Optional Y cable mounting kit (LPX-CMK) allows for suspended installations from any ceiling type. (2 pcs/kit, 3.2' length)



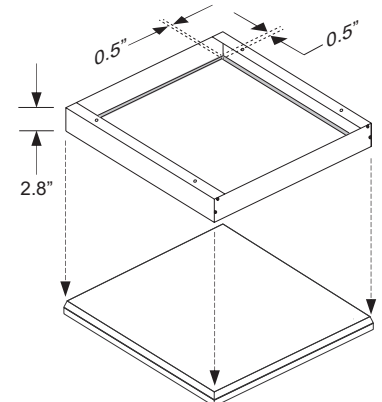
Flange Mount Kit (LPXX-FMK)

Optional flange kit (LP22-FMK, LP24-FMK) mounts above drywall ceiling, allows panel to be mounted flush to ceiling.



Surface Mount Kit (LPX-XX-SMK)

Optional surface mount kit (LPX-22-SMK, LPX-24-SMK) allows for installation on plaster or other hard ceilings.



Specifications are subject to change without notice. Installation must be performed in accordance with Barron Lighting Group installation instructions.