



TRACE LITE
commercial & industrial lighting

barronltg.com



MINI REFRACTOR LED WALLPACK

Die-cast aluminum enclosure with bronze powder-coat finish.
Field-adjustable color temperature, 3000K, 4000K or 5000K CCT.
Efficacies up to 140 LPW maximize energy savings.
DesignLights Consortium® (DLC) PREMIUM Qualified.
Sealed design for use in Wet Locations, IP65 Rated.

MWQ Series

MINI DIE-CAST ALUMINUM LED WALLPACK

The MWQ mini refractor wallpack features a sleek, durable, bronze die-cast aluminum enclosure combined with high-performance LEDs. The MWQ is an excellent cost-effective wallpack solution where energy savings, low maintenance and reliable construction are needed. The fixture is fully sealed and gasketed, UL Listed for Wet Locations and meets IP65 requirements. The 20 watt LED system delivers up to 2,800 lumens and is features field-adjustable color temperature, allowing the user to select between 3000K, 4000K or 5000K CCT with the flick of a switch. The unit also includes an integral button photocontrol for an additional level of light control. Applications include schools, office complexes, light commercial or retail buildings, apartments and recreational facilities.



FEATURES & BENEFITS

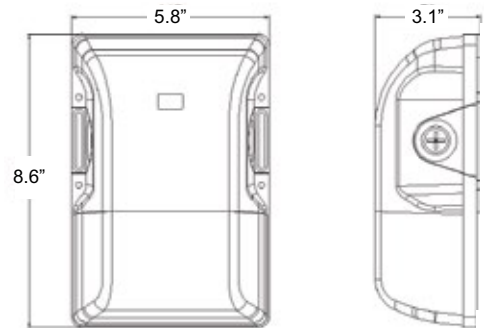
- Die-cast aluminum enclosure in a bronze powder-coat finish
- High impact, UV-stabilized polycarbonate prismatic refractor
- Prismatic polycarbonate refractor for soft diffused illumination
- Type IV distribution, LEDs point down to minimize glare
- 2800 Lumens, efficacy up to 140 lm/w
- CCT switchable (3000K, 4000K, 5000K)
- CRI ≥80
- Universal 120-277VAC, 50/60Hz
- 0-10V Dimming driver
- 120/277VAC Integral button photocontrol standard (can be bypassed)
- Ideal for mounting to any vertical surface and attaches to a 3" or 4" J-box
- Can be surface mounted using the 1/2" conduit entry points on both sides of the unit
- cULus listed for Wet Locations
- Tested to meet IP65 requirements
- DesignLights Consortium® (DLC) PREMIUM Qualified
- Operating temperatures: -20°C to 40°C (-4°F to 104°F)
- Five year warranty (terms and conditions apply)

SPECS AT A GLANCE

Wattage* (W)	20
Lumens (lm)	2800
Efficacy (LPW)	140
CCT	3000K, 4000K, 5000K (Switchable)
CRI	>80
Input Voltage	120-277VAC, 50/60Hz
Operating Temp	-20°C to 40°C (-4°F to 104°F)
Certifications	UL Listed for Wet Locations, IP65, DLC PREMIUM
Warranty	5 Years

* Nominal Wattage, tested at 5000K CCT. Values at 120/277VAC.

Note: Environment and application will affect actual performance. Typical values and 25°C (77°F) used for testing. Specifications subject to change without notice.



ORDERING INFORMATION (Example: MWQ-20-C-BR)

Series	Wattage
MWQ-20-C-BR	Mini Die-Cast Aluminum LED Wallpack 20W, CCT Selectable 3000K-4000K-5000K, 120-277 VAC, Bronze Finish, Integral 120/277VAC Photocontrol



EQUITY LINE

Specifications are subject to change without notice. Installation must be performed in accordance with Barron Lighting Group installation instructions.

10840454 MKT-LIT-MWQ Rev 4

BARRON
lighting group

7885 North Glen Harbor Blvd
Glendale, Arizona 85307
800.533.3948
barronlitg.com