



**TRACE LITE**  
commercial & industrial lighting

[barronltg.com](http://barronltg.com)



## **ADJUSTABLE LED VAPORTIGHT JELLY JAR**

Rotates from 0° to 90° for ceiling or wall mount.

Backbox accommodates conduit entry on four sides.

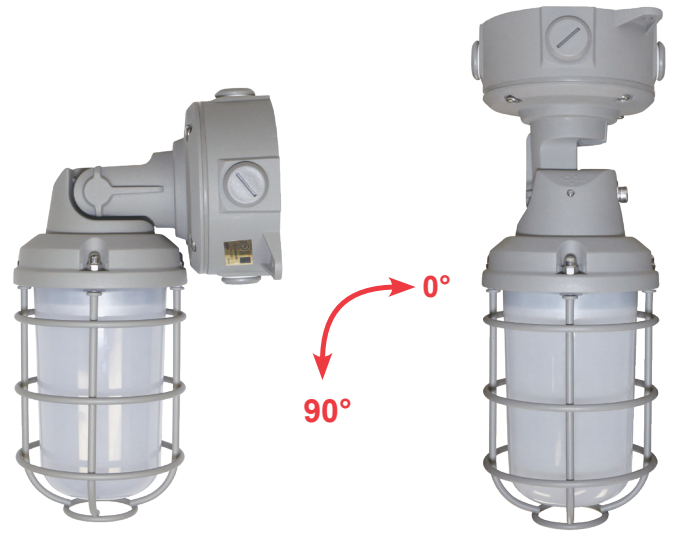
Die-cast aluminum housing with steel wireguard.

EnergyStar® certified light fixture.

# JJL Series

## ADJUSTABLE LED VAPORTIGHT JELLY JAR

The JJL Series Adjustable LED Vaportight Jelly Jar features an adjustable knuckle that allows the unit to rotate from 0° to 90°, allowing it to be mounted to a ceiling or wall - offering exceptional flexibility all in one fixture. Sturdy die-cast aluminum enclosure with a strong steel wireguard and polycarbonate globe makes the JJL Series extremely durable. EnergyStar® certification makes it an energy-saving alternative to luminaires with traditional light sources. The JJL Series can be used in a wide spectrum of applications including walkways, industrial facilities, stairwells, elevator shafts, schools, medical complexes, retail entrances, any commercial buildings and multi-family properties.



### FEATURES & BENEFITS

- Unit can be rotated from 0° to 90° for ceiling or wall mount installation
- 30W system offering up to 2600 lumens
- Die-cast aluminum housing in a powder coated silver-gray finish with stainless steel hardware
- Steel wireguard for maximum protection
- UV stabilized polycarbonate globe
- Available in 3000K and 4000K CCT, CRI ≥90
- Class 2 power supply, 120 to 277VAC, 50/60Hz
- Non dimming driver
- 4KV Driver protection
- Backbox accommodates ½" conduit entry on four sides
- Mounts to a standard 3-½" or 4" square electrical J-box
- cULus Listed for Wet Locations
- Tested to meet IP65 requirements
- Operating temperatures: -40°C to 40°C (-40°F to 104°F)
- ENERGY STAR® certified light fixture
- Five year warranty

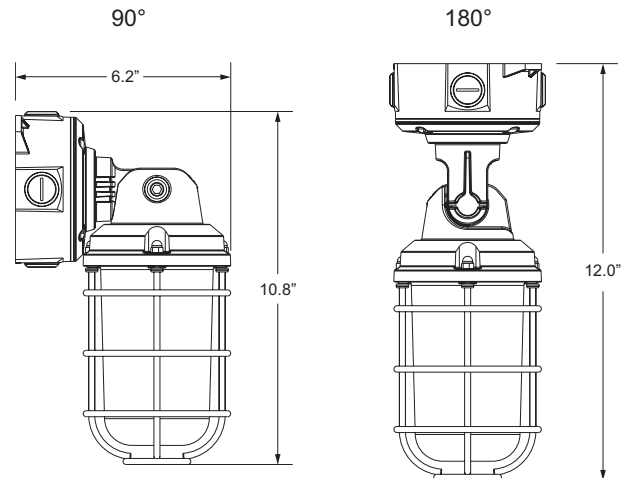
### ORDERING INFORMATION (Example: JJL-30-4K-SV)

Series	Wattage	CCT	Finish <sup>1</sup>
JJL	30 = 30W	3K = 3000K 4K = 4000K	SV = Silver-Gray
<b>Notes</b>			
<sup>1</sup> Consult factory for other finishes			

### SPECS AT A GLANCE

<b>Wattage*</b>	30W	
<b>CCT (K)</b>	3000K	4000K
<b>Lumens (lm)</b>	2400	2600
<b>Equivalency (HID)</b>	100W	
<b>CRI</b>	>90	
<b>Input Voltage</b>	120-277VAC, 50-60Hz	
<b>Operating Temp</b>	-40°C to 40°C (-40°F to 104°F)	
<b>Certifications</b>	cULus Listed for Wet Locations, ENERGY STAR	
<b>Warranty</b>	5 Years	
<b>Weight</b>	2.43 lbs	

**Note:** Environment and application will affect actual performance. Typical values and 25°C used for testing.



Specifications are subject to change without notice. Installation must be performed in accordance with Barron Lighting Group installation instructions.

10840415 MKT-LIT-JJL Rev 2

**BARRON**  
lighting group

7885 North Glen Harbor Blvd  
Glendale, Arizona 85307  
800.533.3948  
barronlitg.com