

The Exitronix Tempo Pro family of LED emergency exit luminaires provide a more complete, compact and powerful light offering with a higher performance than most currently on the market.

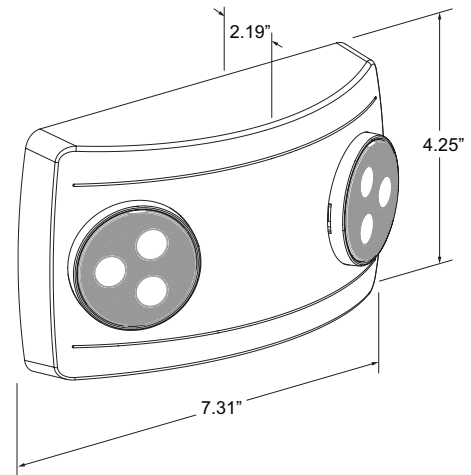
Model: _____ Date: _____
 Accessories: _____
 Job Name: _____ Type: _____

FEATURES & BENEFITS

- Injection-molded UL 94 V-0 flame rated thermoplastic housing
- Wall or ceiling back mount
- Remote option provides 2W of remote capability (LED-52 only), compatible with [JLED](#), [RL1-WP](#) and [RL52](#) remote lamps
- cULus Listed
- Suitable for Damp Locations

SPECIFICATIONS

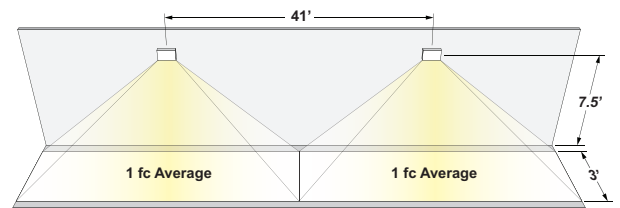
- Illumination:** LED-51 standard with 1W LED lamp heads (2W total)
 LED-52 standard with 1.5W high-performance LED lamp heads (3W total)
- Housing:** UL 94 V-0 flame-retardant, corrosion-resistant thermoplastic
- Input:** Universal 120-277VAC input, 60Hz
- Battery:** Maintenance-free NiCad (LED-51)
- Operating Temp:** 10°C to 40°C (50°F to 104°F)
- Run Time:** cULus Listed 90 minute emergency run time, 24 hour recharge time
- Mounting:** Universal knockout pattern on backplate for ceiling or wall back mount, optional I-beam mounting bracket is available
- Finishes:** Black or White
- Options:** G2 - Self-test/Self-diagnostics (LED-52 only)
 R2 - Remote Capable (2W - LED-52 only), compatible with [JLED](#), [RL1-WP](#) and [RL52](#) remote lamps
- Certifications:** cULus 924 Listed, meets or exceeds NEC requirements and NFPA 101
- Warranty:** Any component that fails due to a manufacturing defect is guaranteed for five years, with a three year prorated warranty on the battery. The warranty does not cover physical damage, abuse or instances of uncontrollable natural forces. See the full Exitronix warranty document for detailed information. (Terms and conditions apply)



ON-CENTER SPACING (Multiple units mounted at a typical 7.5 foot height)

Model	# of LED Lamps	3' Path, 6' Corridor	6' Path, 6' Corridor
LED-51	2	34'	28'
LED-52	2	41'	35'

Barron assumes no responsibility for local requirements or specific project variables. This is a guideline to be used as a design aid, not as a guarantee of any code compliance.



ORDERING INFORMATION Example: LED-52-WH-G2

Series	Finish	Options(Factory Installed)	Accessories ³ (Field Installed)
LED-51 = 1 Watt Lamps	BL = Black	G2 ¹ = Self-test/Self-diagnostics	IHB = I-Beam and Pole Mounting Bracket
LED-52 = 2 Watt Lamps	WH = White	R2 ² = Remote Capable (2.0 Watts)	WG-S = Wire Guard (Back Mount)
			XG-1 = Polycarbonate Guard (Back Mount)

Notes

¹ Not available for LED-51-Black

² Not available for LED-51, R2 option supplied with Ni-MH battery, compatible with [JLED](#), [RL1-WP](#) and [RL52](#) remote lamps (Consult factory when ordered with G2 and Black finish, available with extended lead times)

³ Order as separate line item

ELECTRICAL RATINGS

Model	Battery	Brownout	Low Voltage Disconnect	Overload Disconnect	Short Circuit Disconnect	Solid State Transfer	Input				Output		
							VAC	Hz	mA	W	Lamps	Lumens	Remote Capability
LED-51-XX-G3	NiCad 3.6V 800mAh	N/A	Yes	Yes	Yes	Yes	120/277	60	58/72	0.4/0.5	2 x 1W	160 lm	N/A
LED-52-XX-G3	2 x NiCad 3.6V 800mAh	N/A	Yes	Yes	Yes	Yes	120/277	60	58/72	0.4/0.5	2 x 1.5W	270 lm	N/A
LED-52-XX-G3-R2	2 x NiMh 3.6V 1500mAh	N/A	Yes	Yes	Yes	Yes	120/277	60	90/105	0.6/0.8	2 x 1.5W	270 lm	3.6V 2W

CONSTRUCTION

Precision-molded unit and lamp housings constructed of UL 94 V-0 flame-retardant, corrosion-resistant thermoplastic. Units resist denting, peeling, scratching and corrosion. Tool-less access provided for easy maintenance.

ILLUMINATION

LED-51 units have two (2) fully-adjustable 1W LED lamps with 34' on-center spacing.

LED-52 units have two (2) fully-adjustable 2W LED lamps with 41' on-center spacing.

ELECTRICAL

Input

Universal input 120/277VAC @ 60Hz

Nickel Cadmium Battery (NiCad - LED-51/52)

Nickel cadmium batteries are maintenance-free.

Nickel Metal Hydride (NiMh - LED-52-R2 Only)

Nickel metal hydride batteries are maintenance-free.

Emergency

The LED-51/52 will operate for a minimum of 90 minutes during a loss of power with an up to 48 hours maximum recharge time for the battery.

Test Button

Our test button is easy to locate and allows for manual verification of proper operation of the transfer circuit and emergency lamps.

Damp Location Rated

Damp Location Rated fixture that is normally or periodically subject to condensation of moisture in, on or adjacent to, and includes partially protected locations.

Test Button

Our test button is easy to locate and allows for manual verification of proper operation of the transfer circuit and emergency lamps.

INSTALLATION

A universal J-box mounting pattern is provided for wall or ceiling mounting. Optional I-beam mounting bracket is available for mounting to poles, I-beams, or strut metal framing.

Remote Capable (Option: R2 - available with LED-52 only)

The R2 option provides an additional 2W of remote capability, compatible with [JLED](#), [RL1-WP](#) and [RL52](#) remote lamps

Guardian Self-Test/Self-Diagnostics

The Guardian circuit continuously monitors the operating condition of the AC power, battery supply voltage, emergency lamp continuity and charging circuit.

The purpose of this option is to provide visual signaling in response to a fault. If a failure is detected, visual status will occur immediately via the CHARGER LED. The LED will remain in this state until the fault is corrected.

Refer to installation instructions for detail of operation.

The Guardian circuit also monitors the transfer circuit as well as performing automatic code-compliant testing. The Guardian circuit will perform self-tests in accordance to NPPA 101.

CONFORMANCE TO CODES & STANDARDS

The LED-51 and LED-52 Series is UL Listed and meets or exceeds the following: UL 924, cUL, NEC requirements and NFPA 101.