

DESCRIPTION

The LE-MS2-HB1 is an AC powered, external sensor for highbay and other indoor or outdoor luminaires. Equipped with LiteLogic wireless Bluetooth® mesh technology and a user-friendly interface that can be programmed within minutes using just your smartphone, automation becomes effortless, energy, labor and material costs are significantly reduced, and setting up lighting control becomes a breeze. LiteLogic sensors are easily installed on-site and are compatible with a variety of Trace-Lite fixtures. Equipped with highbay lens for mounting heights up to 40 feet.

FEATURES & BENEFITS

- Includes LiteLogic wireless Bluetooth® mesh technology
- Mounting heights up to 40 feet
- Built-in analog PIR sensor
- Daylight harvesting option
- Suitable for indoor use (IP66 rated)

SPECIFICATIONS

Electrical:

- Input Voltage: 120-277VAC, 50/60Hz
- Input Current: 10A Max @120V, 4.3A @ 277V
- Input Power: 1200W Max
- Output Voltage: 120-277VAC
- Output Current: 10A Max @120V, 4.3A @ 277V
- Output Power: 1200W Max
- Dimming: 0-10VDC, 10mA max
- Sinking Current: 10mA max

Bluetooth:

- Transmit Range: 200' max
- Radio Frequency: 2.4GHz ± 75MHz
- Bluetooth Version: 4.2

Sensor Details:

- Detection Range: 40'-80'
- Mounting Height: Up to 40'

Construction:

- Housing: UL 94-5VA
- IP Rating: IP66, suitable for indoor use
- Finish: White
- Operating Temperature: -30°C to 55°C (-22°F to 131°F)
- Storage Temperature: -30°C to 85°C (-22°F to 185°F)

Testing & Compliance:

- UL Listed LED Controller, complies to UL 8750, UL 1376, RohS
- FCC ID: 2A26YLTKTVT2021
- DesignLights Consortium Qualified Product

Warranty:

- Five year warranty (terms and conditions apply)

Model: _____ Date: _____
 Accessories: _____
 Job Name: _____ Type: _____



Get it from the App Store



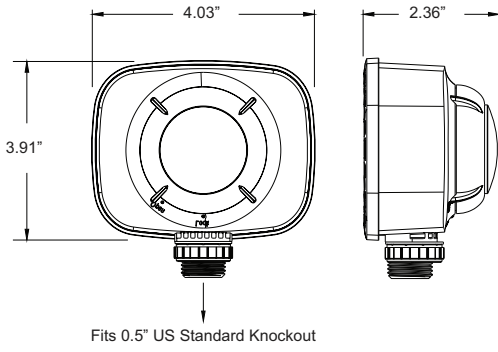
Get it from Google Play



ORDERING INFORMATION (Example: LE-MS2-HB1)

Model	Description
LE-MS2-HB1	External Bluetooth PIR Motion Sensor with Daylight Harvesting, White Finish, 120-277VAC, 50/60Hz, 10A Max, with HB Lens For Up To 40' Mounting Height

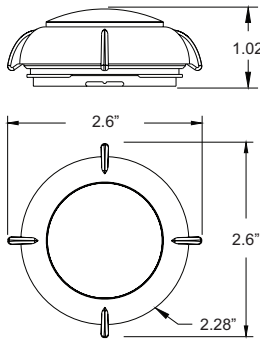
Sensor Dimensions



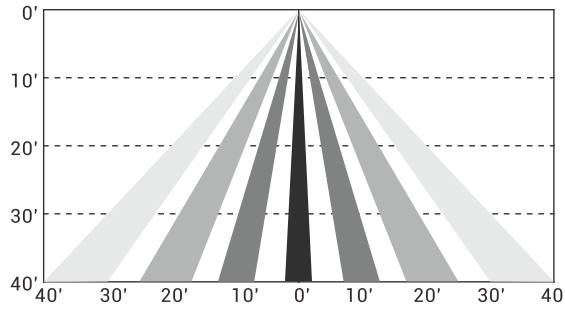
Sensor Default App Settings (See app for setting customization)

Motion Sensor:	ON
Photo Sensor:	OFF
Delay Time 1:	20 Minute
Delay Time 2:	1 Minute
Dimming Level:	50%
Sensitivity:	100%
High Trim:	100%
Low End Trim:	1% or 10% (Depending on Product)
Daylight Minimum Dim:	Low End Trim
Occupancy/Vacancy Mode:	Occupancy
Linkage:	OFF
Linkage Level:	100%
Photocell ON Threshold:	50fc
Photocell OFF Threshold:	150fc

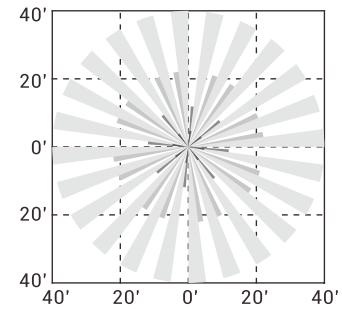
Highbay Lens Details (HB1)



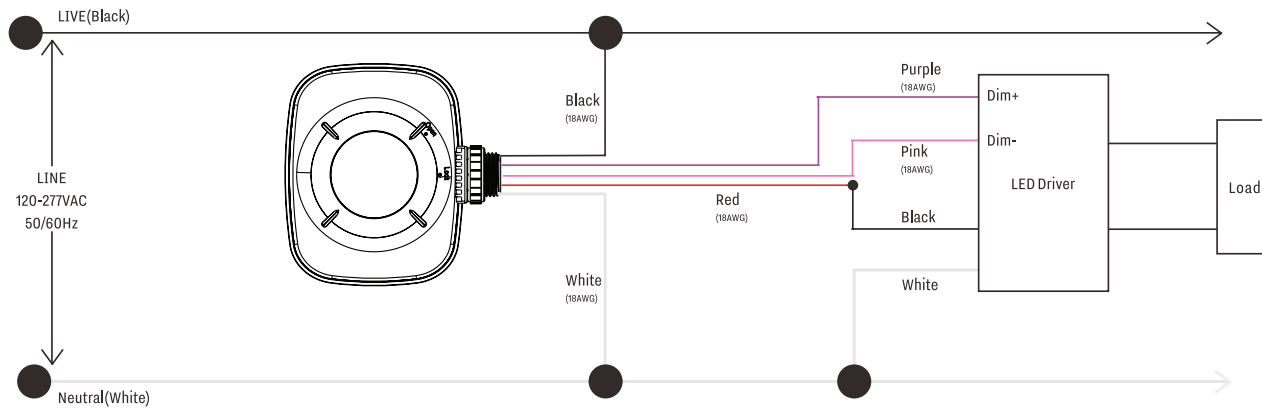
Coverage Side View



Coverage Top View (40°)



Wiring Diagram



Note: Bluetooth sensor controls do not allow for CCT selection using app. CCT must be manually selected on/in the fixture if outfitted with CCT selectable feature.