

LE-MS1

Installation Instructions



IMPORTANT SAFEGUARDS READ AND FOLLOW ALL SAFETY INSTRUCTIONS.

When using electrical equipment, basic safety precautions should always be followed including the following:

- **DISCONNECT AC POWER SUPPLY BEFORE SERVICING.**
- Installation and servicing of this equipment should be performed by qualified service personnel only.
- Ensure that the electrical wiring conforms to the National Electrical Code NEC® and local regulations if applicable.
- Do not mount near gas or electrical heaters.
- Equipment should be mounted in locations and at heights where it will not be readily subjected to tampering by unauthorized personnel.
- The use of accessory equipment not recommended by the manufacturer may cause an unsafe condition.
- Any modification or use of non-original components will void the warranty and product liability.
- Do not use this equipment for other than intended use.

SAVE THESE INSTRUCTIONS!

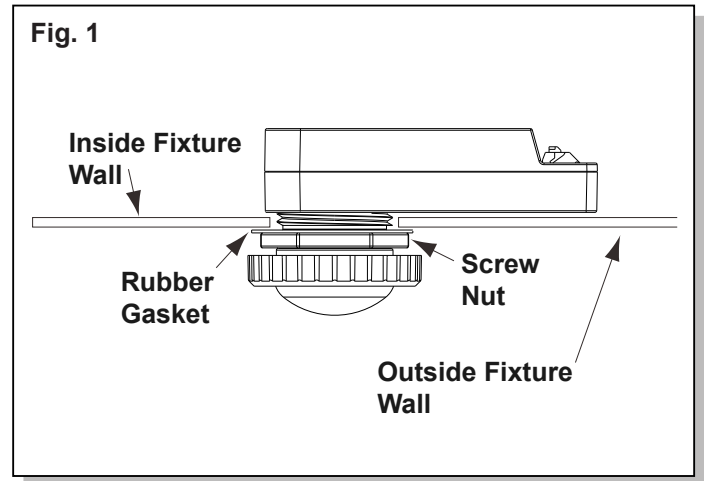
Technical Support ■ (623) 580-8943 ■ technicalsupport@barronltg.com

LE-MS1

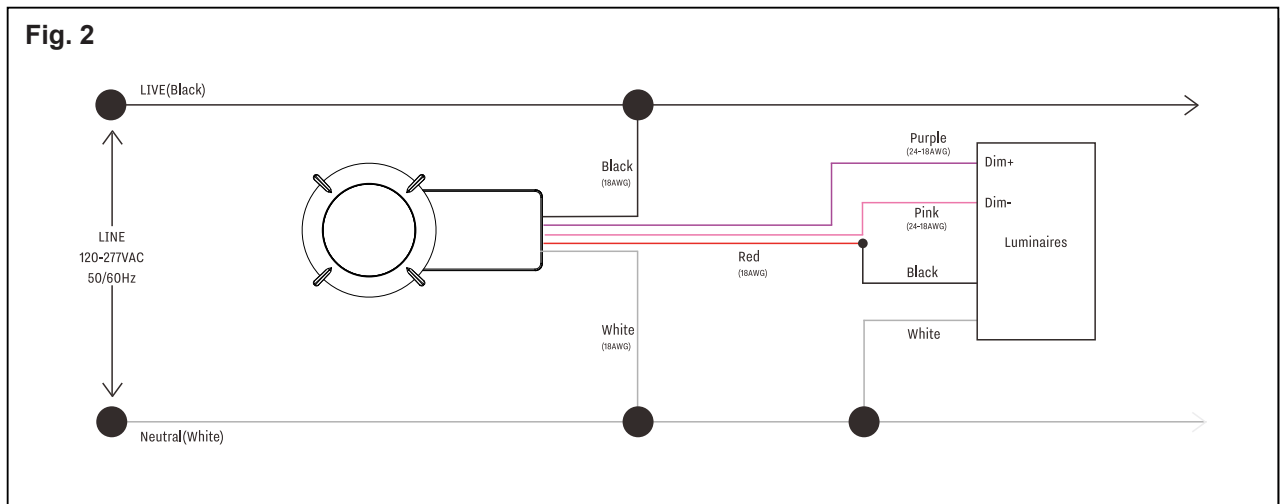
Installation Instructions

Installation

1. Please call a licensed electrician for installation.
2. Drill a 1.30" (33.0mm) diameter hole through the fixture housing.
3. Screw the sensor into the fixture housing and make sure the connection is tight. Ensure the rubber gasket touches the outside surface of the fixture. (Fig. 1)
4. Attach the lens to the sensor and turn the lens module clockwise to ensure it locks into place.
5. Please refer to the wiring diagram below. (Fig. 2)
6. Return power back to the source.
7. Commission the sensor via the LiteLogic App.



Wiring Diagram



NOTE: This Bluetooth device is compatible with LiteLogic lighting control system only.

How to Install LiteLogic App?

Scan QR Code below to download the APP.

Get it from the
App Store



Get it from
Google Play



How to Control Lights with a Phone?

Scan the QR Code below for APP instructions.

