

The ILX-RG Series LED Exit Sign combines an attractive, easy-to-install compact contemporary design with proven, ultra-reliable electronics to provide the very best in energy efficient emergency lighting. Easily field-switchable between red and green legends, ILX-RG exits feature universal mounting, canopy included, for easy installation.

Model: \_\_\_\_\_ Date: \_\_\_\_\_  
 Accessories: \_\_\_\_\_  
 Job Name: \_\_\_\_\_ Type: \_\_\_\_\_

## FEATURES AND BENEFITS

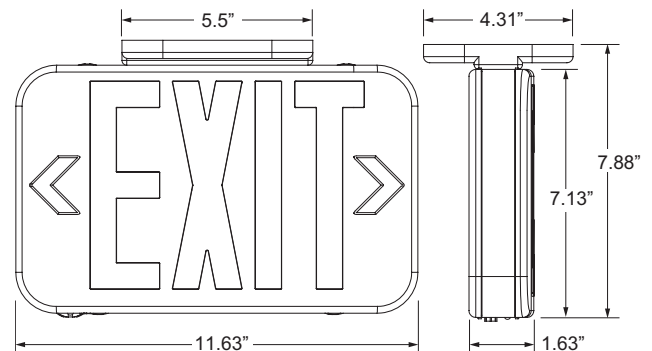
- Ultra-compact, low-profile design
- Field-switchable red or green legend by toggling the interior dip switch
- Easy to install, snap together design
- Universal style - includes two (2) face plates with red and green diffusers, a back plate and mounting canopy
- California Energy Commission (CEC) compliant

## SPECIFICATIONS

- Illumination:** Constant, uniform illumination by long-life, high intensity, red or green field-switchable LEDs
- Housing:** Rugged, injection-molded UL 94 5VA flame retardant, high-temperature thermoplastic housing
- Input:** 120/277V dual primary, 60Hz input
- Battery:** Maintenance-free NiCad battery
- Operating Temp:** 0°C to 50°C (32°F to 122°F)
- Run Time:** UL listed 90 minute emergency run time, 24 hour recharge time
- Legend:** Fully-illuminated 6" characters with 3/4" stroke, field selectable directional chevrons included for all configurations, includes red and green diffusers
- Mounting:** Flexible mounting, includes snap-on canopy for top or end mount
- Finishes:** Black or White
- Certifications:** UL Listed for Damp Locations, California Energy Commission (CEC) compliant
- Warranty:** Any component that fails due to a manufacturing defect is guaranteed for five years with a separate five year prorated warranty on the battery. The warranty does not cover physical damage, abuse or instances of uncontrollable natural forces. See the full Exitronix warranty document for detailed information. (Terms and Conditions apply)



Field-switchable red and green legends



ULTIMATE PERFORMANCE. UNPARALLELED VALUE.

**ORDERING INFORMATION Example: ILX-RG-EM-WH**

Series	LED Color	Power Source	Finish	Accessories <sup>3</sup> (Field Installed)
ILX <sup>1</sup>	RG = Red/Green Switchable	AC = AC Only	BL = Black	ER1-KIT-WH <sup>2</sup> = 1' Pendant Mount Kit, White
		EM = NiCad Battery	WH = White	ER1-KIT-BL <sup>2</sup> = 2' Pendant Mount Kit, Black
				ER2-KIT-WH <sup>2</sup> = 2' Pendant Mount Kit, White
				ER2-KIT-BL <sup>2</sup> = 2' Pendant Mount Kit, Black
				VEPA = Pendant Adapter
<b>Notes</b>				WG-S = Wire Guard (Back Mount)
<sup>1</sup> Includes 2nd exit face and backplate				XG-1 = Poly Guard (Back Mount)
<sup>2</sup> Requires VEPA accessory option				XG-3 = Poly Guard (Ceiling Mount)
<sup>3</sup> Order as separate line item				WPV-1 = Weatherproof & Vandal-Resistant Enclosure

**ELECTRICAL RATINGS**

Model	NiCad Battery	Brownout	Low Voltage Disconnect	Overload Disconnect	Short Circuit Disconnect	Solid State Transfer	Input			
							VAC	Hz	mA	W
ILX-RG-AC-XX	N/A	No	N/A	No	No	N/A	120/277	60	0.1	1
ILX-RG-EM-XX	1.2V	Yes	No	No	No	Yes	120/277	60	0.1	1

**CONSTRUCTION**

The ILX-RG series is a precision-molded housing constructed of flame retardant, corrosion-proof thermoplastic. Units resist denting, peeling and scratching.

**ILLUMINATION**

Illumination of the ILX-RG series is achieved with high output, long lasting, field-switchable red or green LEDs. Includes color-matched red and green diffusers that eliminate hot spots and striations, providing optimal light output.

**ELECTRICAL**

**Input**

Dual-voltage input 120 or 277VAC @ 60Hz.

**Sealed Nickel Cadmium Battery – NiCad (EM Only)**

Exitronix sealed nickel cadmium batteries are maintenance-free.

**Emergency**

The ILX-RG series exit will operate for a minimum of 90 minutes during a loss of power with a 24 hour maximum recharge time for the battery.

**Test Button**

The test button is easy to locate and provides manual verification of the transfer circuit and emergency lamps.

**INSTALLATION**

Simple snap together universal design allows for faceplate and back plate to be fully interchangeable. Mounting canopy is supplied with all signs and snaps into enclosure with two positive locking tabs.

**Damp Location Rated**

Damp location rated fixture that is normally or periodically subject to condensation of moisture in, on or adjacent to, and includes partially protected locations.

**CONFORMANCE TO CODES & STANDARDS**

The ILX-RG Series is UL Listed for Damp Locations and meets or exceeds the following: UL 924, CEC, NEC requirements and NFPA 101.

ULTIMATE PERFORMANCE. UNPARALLELED VALUE.