

DESCRIPTION

The FBTCJ Series is an ideal neon replacement. Using LED technology with a flexible, durable PVC housing to create an extremely bright, uniform illumination effect indoors or outdoors. FBTCJ bends side to side with ease and can easily mount to flat surfaces. FBTJ has a superior mushroom shape that provides a large viewing angle. The PVC jacket and LED's are color matched to create a bright, vibrant color effect in daylight conditions, on or off! Every order is custom so please consult the factory.

Model: _____ Date: _____
Accessories: _____
Job Name: _____ Type: _____

APPLICATIONS

- Borders
- Cover Lighting
- Bridges
- Gazebos
- Roof Lines
- Signage
- Accent Lighting
- Restaurants

PERFORMANCE

Color	Lumens/Foot (lm/ft)	Watts/Foot (w/ft)	CCT or Wavelength
Red	42.67	2.44	620-630nm
Green	85.34	3.66	520-530nm
Blue	12.19	3.66	465-475nm
Amber	42.67	2.44	585-595nm
Orange	27.43	2.44	600-610nm
Pink	39.62	3.66	630-645nm
Warm White	103.63	3.66	2700K ± 5%
Pure White	115.82	3.66	3500K ± 5%
Cool White	115.82	3.66	4500K ± 5%
Daylight White	115.82	3.66	5700K ± 5%



SPECIFICATIONS

Color:	Red, Amber, Orange	Green, Blue, Whites	Pink
LED Count per Foot (LEDs Per Meter):	22 LEDs per foot		18 LEDs per foot
Inches per LED (mm per LED):	0.55 Inches per LED		0.66 Inches per LED
Power Consumption Watts/Foot (Watts/Meter):	2.44 W/ft	3.66 W/ft	3.66 W/ft
Factory Cut Increments Inches (mm) [# LEDs]:	4.92" [9 LEDs]	3.28" [6 LEDs]	3.94" [6 LEDs]
Dimensions Inches (mm):	0.45" W x 1.14" H		
Light Surface:	Rounded Surface		
Beam Angle:	270°		
Minimum Bend Radius Inches (mm):	2.36"		
Bending Direction:	Side to Side		
Mounting:	2" Mounting Clips and 3.28' Linear Mounting Channels - Tamper resistant locking versions available		
Facility Supply Voltage:	120-277VAC		
LED Strip Voltage:	24VDC Constant Voltage		
Max Run Length:	32.8" Single end powered, 65' both ends powered (consult factory)		
Dimming:	10-100% With dimmable driver, dimmer not included		
Line Cord:	Red, Black 18AWG wires inside 0.28" diameter outer sheath		
Certifications:	Tested to UL & CSA, complies with CA Title 24 Requirements, UL2108, CE-EMC, Lighting Facts. Exceeds ANSI c78.377A, CE & RoHS compliant		
IP Rating:	Up to IP68 for factory molded assemblies		
Ambient Operating Temperature °C (°F):	-25°C to 60°C (-13°F to 140°F)		
Humidity:	0-95% Non-condensing		
Lumen Maintenance @°C(@°F):	70,000 Hours L70 @ 25°C (77°F), 90,000 Hours L50 @ 25°C (77°F), 50,000 Hours L70 @ 50°C (122°F), 70,000 Hours L50 @ 50°C (122°F)		
Warranty:	5 Years for factory assembled units		

Specifications are subject to change without notice. Installation must be performed in accordance with Barron Lighting Group installation instructions.

ORDERING INFORMATION

Example: FBTCJ-WW-65-24V

Series	Color	Length	Voltage
FBTCJ ¹	R = Red G = Green B = Blue A = Amber O = Orange P ² = Pink	WW = Warm White (2700K) WP = Pure White (3500K) WC = Cool White (4500K) WD = Daylight White (5700K)	65 = 65 Feet (Maximum Roll Length) XX ³ = Custom Length in Decimal Feet 24V ⁴ = 24 Volt DC

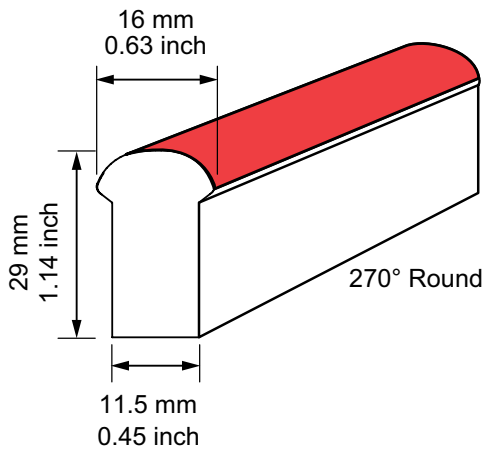
Notes

¹ Every order is custom so please consult the factory for your project needs

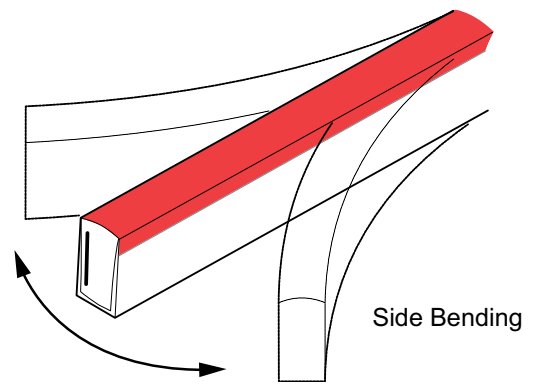
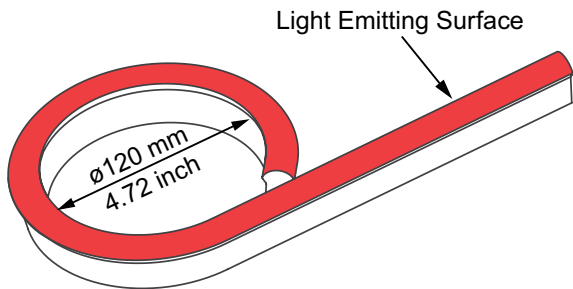
² Minimum order requirement of 328' (100M)

³ Customer requested length in Decimal feet. Factory will respond with actual length proposal based on specific cutting increments

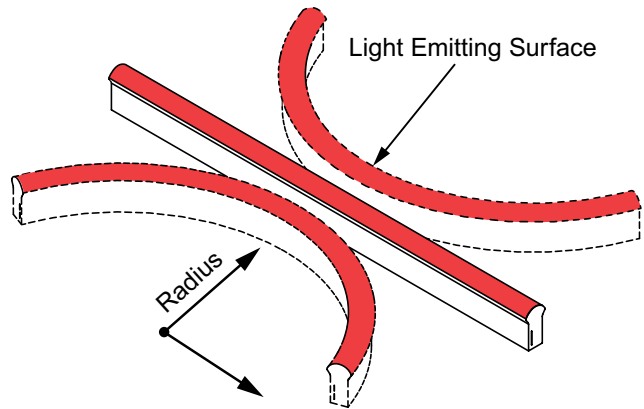
⁴ Requires factory specified 24VDC driver, ordered separately



Minimum Bending Diameter 4.72" (120mm)

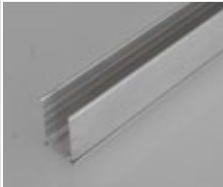
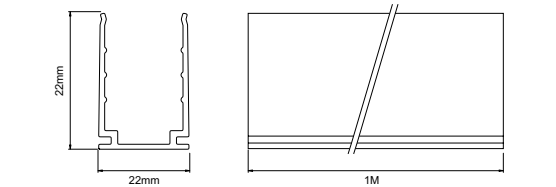

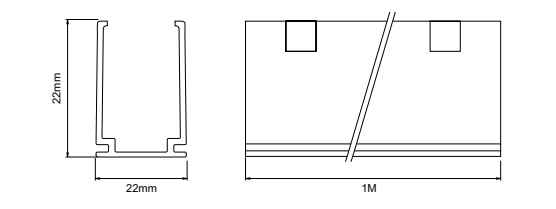

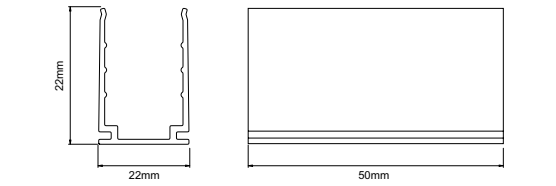

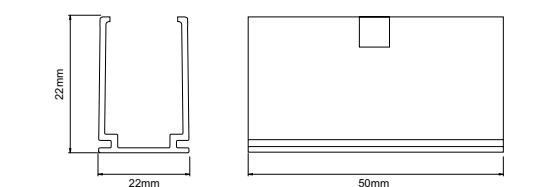


Minimum Bending Radius 2.36" (60mm)


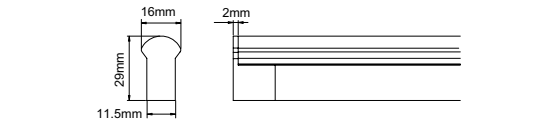

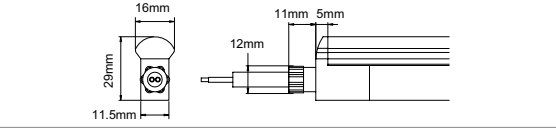

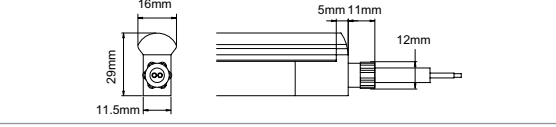

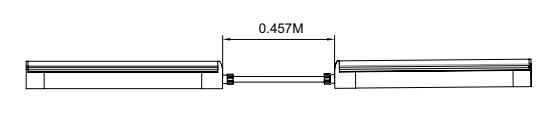


Bend ONLY in these directions - do not stretch, bend up, bend down or twist)

ACCESSORIES - MOUNTING (Field Installed - order as separate line item)

Part Number	Image	Description	Drawing
FBTCJ-LCH		Linear Mounting Channel, 0.035" (0.9mm) thick anodized aluminum, 3.28' L x 0.875" H x 0.563" W (1M L x 22mm H x 14mm W). 0.136" (3.5mm) diameter holes in base for mounting screws.	
FBTCJ-LCH-L		Locking Mounting Channel, 0.056" (1.4mm) thick anodized aluminum, tamper resistant design with locking retainers included. 3.28' L x 0.875" H x 0.563" W (1M L x 22mm H x 14mm W). 0.136" (3.5mm) diameter holes in base for mounting screws.	
FBTCJ-MC		Mounting Clip, 0.035" (0.9mm) thick anodized aluminum. 2" L x 0.875" H x 0.563" W (50mm L x 22mm H x 14mm W). 3.5mm (0.136") diameter hole in base for mounting screws.	
FBTCJ-MC-SL		Locking Mounting Clip, 0.056" (1.4mm) thick anodized aluminum, tamper resistant design with locking retainer included. 2" L x 0.875" H x 0.563" W (50mm L x 22mm H x 14mm W). 0.136" (3.5mm) diameter hole in base for mounting screws.	

ACCESSORIES - INDOOR RATED (Factory assembled - order as separate line item)

Part Number	Image	Description	Drawing
FBTCJ-EC		End Cap connector assembly	
FBTCJ-LCL-24V		Line Cord connector assembly left power feed	
FBTCJ-LCR-24V		Line Cord connector assembly right power feed	
FBTCJ-SJ-24V-1M		0.457M (1.5') Jumper Cable from one end of the flex to another.	

ACCESSORIES - OUTDOOR RATED (Factory molded - order as separate line item)

Part Number	Image	Description	Drawing
FBTCJ-EC-F		Seamless End Cap, factory molded, outdoor rated IP68.	
FBTCJ-LCL-24V-F1M FBTCJ-LCL-24V-F3M FBTCJ-LCL-24V-F5M FBTCJ-LCL-24V-F10M		LEFT SIDE Seamless End Exit with line cord. Factory molded, outdoor rated IP68. Minimum cord length from end cap to end of outer sheathing: F1M = 1M (3.28') F3M = 3M (9.84') F5M = 5M (16.40') F10M = 10M (32.80')	
FBTCJ-LCR-24V-F1M FBTCJ-LCR-24V-F3M FBTCJ-LCR-24V-F5M FBTCJ-LCR-24V-F10M		RIGHT SIDE Seamless End Exit with line cord. Factory molded, outdoor rated IP68. Minimum cord length from end cap to end of outer sheathing: F1M = 1M (3.28') F3M = 3M (9.84') F5M = 5M (16.40') F10M = 10M (32.80')	
FBTCJ-LCLBE-24V-F1M FBTCJ-LCLBE-24V-F3M FBTCJ-LCLBE-24V-F5M FBTCJ-LCLBE-24V-F10M		LEFT SIDE Seamless Bottom Exit with Line cord. Factory molded, outdoor rated IP68. Minimum cord length from end cap to end of outer sheathing: F1M = 1M (3.28') F3M = 3M (9.84') F5M = 5M (16.40') F10M = 10M (32.80')	
FBTCJ-LCRBE-24V-F1M FBTCJ-LCRBE-24V-F3M FBTCJ-LCRBE-24V-F5M FBTCJ-LCRBE-24V-F10M		RIGHT SIDE Seamless Bottom Exit with line cord. Factory molded, outdoor rated IP68. Minimum cord length from end cap to end of outer sheathing: F1M = 1M (3.28') F3M = 3M (9.84') F5M = 5M (16.40') F10M = 10M (32.80')	
FBTCJ-LCLSE-24V-F1M FBTCJ-LCLSE-24V-F3M FBTCJ-LCLSE-24V-F5M FBTCJ-LCLSE-24V-F10M		LEFT SIDE Seamless Side Exit with line cord. Factory molded, outdoor rated IP68. Minimum cord length from end cap to end of outer sheathing: F1M = 1M (3.28') F3M = 3M (9.84') F5M = 5M (16.40') F10M = 10M (32.80')	
FBTCJ-LCRSE-24V-F1M FBTCJ-LCRSE-24V-F3M FBTCJ-LCRSE-24V-F5M FBTCJ-LCRSE-24V-F10M		RIGHT SIDE Seamless Side Exit with line cord. Factory molded, outdoor rated IP68. Minimum cord length from end cap to end of outer sheathing: F1M = 1M (3.28') F3M = 3M (9.84') F5M = 5M (16.40') F10M = 10M (32.80')	
FBTCJ-SJ-24V-F1M		Seamless Jumper Cable. Factory molded, outdoor rated IP68. Length "L" from end cap to end cap: F1M = 1M (3.28')	

Specifications are subject to change without notice.
Installation must be performed in accordance with
Barron Lighting Group installation instructions.

DRIVER RUN LENGTHS

DIMMING	FBTCJ (2.19 W/ft) RED, AMBER	FBTCJ (3.66 W/ft) GREEN, BLUE, PINK, WHITES	VOLTAGE	
			Supply	Output
Part Number	Maximum Run Length(s) in Feet (@80% of driver rating)			
XFMR-DIM-24-20	6.55	4.37'	120VAC	24VDC
XFMR-DIM-24-40	13.12'	8.74'	120VAC	24VDC
XFMR-DIM-24-60	19.62'	13.11'	120VAC	24VDC
XFMR-DIM-24-96	Maximum, See Note (32.0')	20.98'	120VAC	24VDC
XFMR-DIM-24-192	2 x Maximum, See Note (2 x 32')	20.98'	120VAC	24VDC
XFMR-DIM-24-288	3 x Maximum, See Note (3 x 32')	20.98'	120VAC	24VDC

NON-DIMMING	FBTCJ (2.19 W/ft) RED, AMBER	FBTCJ (3.66 W/ft) GREEN, BLUE, PINK, WHITES	VOLTAGE	
			Supply	Output
Part Number	Maximum Run Length(s) in Feet (@80% of driver rating)			
XFMR-24-20	6.55'	4.42'	120-240VAC	24VDC
XFMR-24-35	11.47'	7.87'	120-240VAC	24VDC
XFMR-24-60	19.62'	13.11'	120-240VAC	24VDC
XFMR-24-150	41.18'	Maximum, See Note (32.00')	120-277VAC	24VDC
XFMR-277-24-20	6.55'	4.2'	120-277VAC	24VDC
XFMR-277-24-30	9.83'	6.56'	120-277VAC	24VDC
XFMR-277-24-45	14.75'	9.97'	120-277VAC	24VDC
XFMR-277-24-60	19.62'	13.11'	120-277VAC	24VDC
XFMR-277-24-150	Maximum, See Note (32.00')	Maximum, See Note (32.00')	120-277VAC	24VDC

Note - Maximum run length is 32' on a single driver, or 65.05' when fed with 2 drivers, one on each end.

120VAC INPUT NON-DIMMING 24VDC TRANSFORMER ORDERING INFORMATION (Order As Separate Line Item)

Example: XFMR-24-60

Part Number	Description	Dimensions (AxBxC)
XFMR-24-20	20 Watt, 120-240VAC input, 24VDC output, Class 2	118.11mm x 35.05mm x 25.9mm (4.65" x 1.38" x 1.02")
XFMR-24-35	35 Watt, 120-240VAC input, 24VDC output, Class 2	148.08mm x 39.88mm x 30mm (5.83" x 1.57" x 1.18")
XFMR-24-60	60 Watt, 120-240VAC input, 24VDC output, Class 2	162.56mm x 42.42mm x 32mm (6.40" x 1.67" x 1.26")
XFMR-24-150	150 Watt, 120-277VAC input, 24VDC output	222.25mm x 68.072mm x 38.86mm (8.75" x 2.68" x 1.53")



120VAC INPUT NON-DIMMING 24VDC TRANSFORMER ORDERING INFORMATION (Order As Separate Line Item)

Example: XFMR-24-60

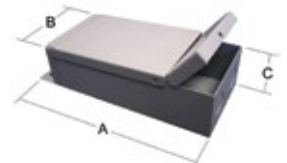
Part Number	Description	Dimensions (AxBxC)
XFMR-277-24-20	20 Watt, 120-277VAC input, 24VDC output, Class 2	148.6mm x 36.6mm x 27.9mm (5.85" x 1.52" x 1.10")
XFMR-277-24-30	30 Watt, 120-277VAC input, 24VDC output, Class 2	145.03mm x 47mm x 30mm (5.71" x 1.85" x 1.18")
XFMR-277-24-45	45 Watt, 120-277VAC input, 24VDC output, Class 2	181.1mm x 61.47mm x 35.05mm (7.13" x 2.42" x 1.38")
XFMR-277-24-60	60 Watt, 120-277VAC input, 24VDC output, Class 2	181.1mm x 61.47mm x 35.05mm (7.13" x 2.42" x 1.38")
XFMR-277-24-150	150 Watt, 120-277VAC input, 24VDC output	222mm x 68.07mm x 38.86mm (8.74" x 2.68" x 1.53")



120VAC DIMMING 24VDC TRANSFORMER ORDERING INFORMATION (Order As Separate Line Item)

Example: XFMR-DIM-24-60

Part Number	Description	Dimensions (AxBxC)
XFMR-DIM-24-20	20W, 120VAC input, 24VDC output, magnetic	216mm x 89mm x 63.5mm (8.5" x 3.5" x 2.5")
XFMR-DIM-24-40	40W, 120VAC input, 24VDC output, magnetic	216mm x 89mm x 76.2mm (8.5" x 3.5" x 3.0")
XFMR-DIM-24-60	60W, 120VAC input, 24VDC output, magnetic	216mm x 89mm x 76.2mm (8.5" x 3.5" x 3.0")
XFMR-DIM-24-96	96W, 120VAC input, 24VDC output, magnetic	216mm x 89mm x 76.2mm (8.5" x 3.5" x 3.0")
XFMR-DIM-24-192	192W, 120VAC input, 24VDC output, 3x4A taps, magnetic	355.6mm x 203.2mm x 127mm (14.0" x 8.0" x 5.0")
XFMR-DIM-24-288	288W, 120VAC input, 24VDC output, 4x4A taps, magnetic	355.6mm x 203.2mm x 127mm (14.0" x 8.0" x 5.0")



Note: All transformers are to be installed per NEC requirements. Transformer is to be mounted within 10 feet of product. If transformer is mounted more than 10 feet from product, voltage drop and maximum operating distances should be taken into account when making transformer selection. Dimming transformer does not include dimming controller.