

## IMPORTANT SAFEGUARDS READ AND FOLLOW ALL SAFETY INSTRUCTIONS.

When using electrical equipment, basic safety precautions should always be followed including the following:

- **DISCONNECT AC POWER SUPPLY BEFORE SERVICING.**
- Installation and servicing of this equipment should be performed by qualified service personnel only.
- Ensure that the electrical wiring conforms to the National Electrical Code NEC® and local regulations, if applicable.
- Do not mount near gas or electrical heaters.
- Equipment should be mounted in locations and at heights where it will not be readily subjected to tampering by unauthorized personnel.
- The use of accessory equipment not recommended by the manufacturer may cause an unsafe condition.
- Any modification or use of non-original components will void the warranty and product liability.
- Do not use this equipment for other than intended use.

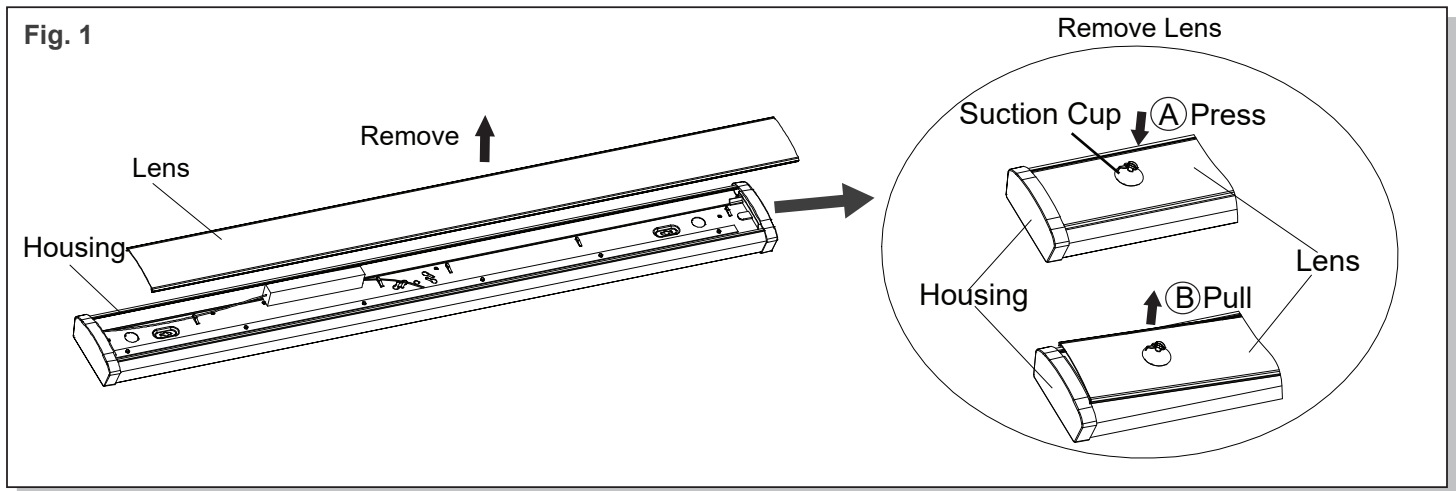
## SAVE THESE INSTRUCTIONS!

Technical Support ■ (623) 580-8943 ■ [technicalsupport@barronltg.com](mailto:technicalsupport@barronltg.com)

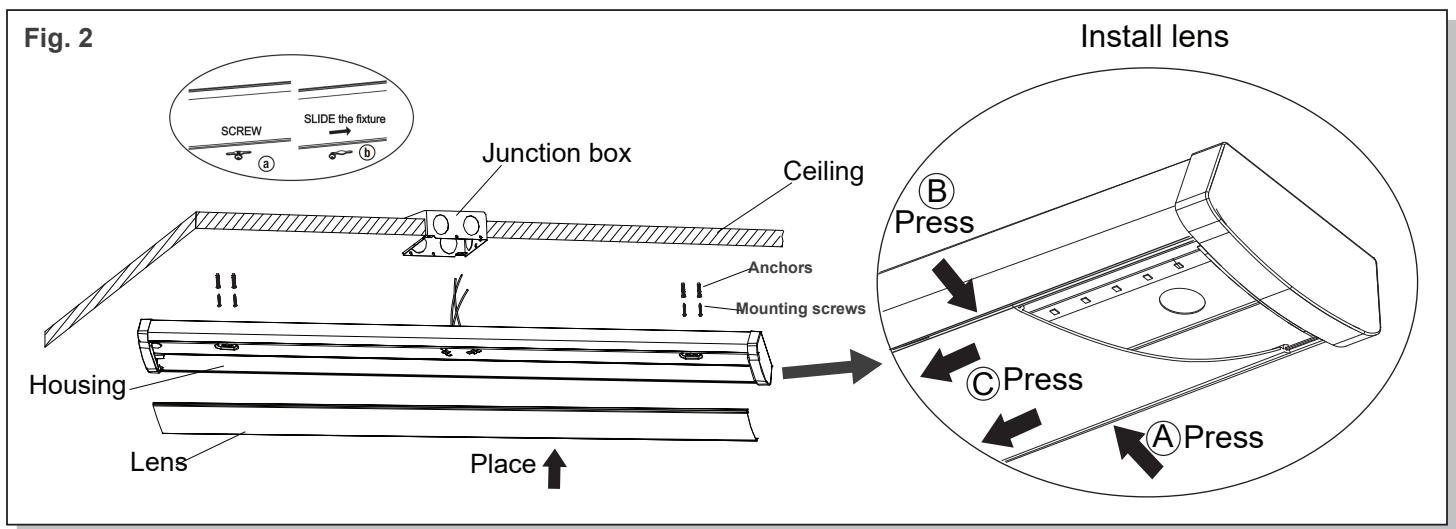
### Installation

#### Surface Mount (Method 1)

1. Remove the lens from the housing by using the provided suction cup. Press the suction cup to absorb one side of the lens. Pull the suction cup to detach the lens from the luminaire housing. (Fig. 1)
2. Use the luminaire as a template by placing it on the J-box and penciling the four hole positions in the ceiling. Put the luminaire aside and drill four holes. Insert an anchor (not included) into each hole. Screw the front 3/4" length of the screw (not included) into each anchor, one by one. (Fig. 1)

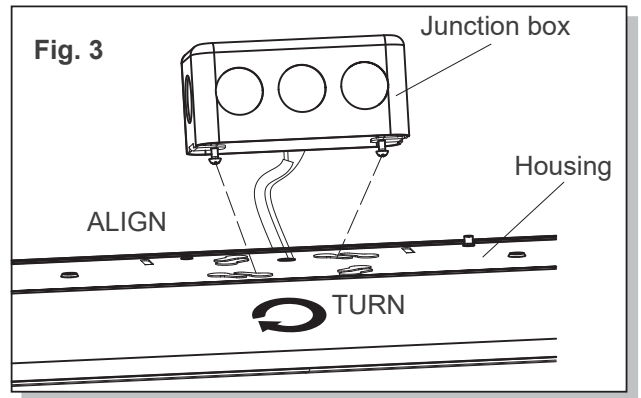


3. Make electrical connections; see **Electrical Connections** section.
4. Hang the fixture onto the four screws, and slide the fixture until all the screw-heads can hang on the fixture body, then fasten the screws into the anchor completely to fix the fixture securely. (Fig. 2)
5. Install the lens starting at one end of the housing. Insert lens slot onto edge of the housing. Carefully squeeze the lens to engage the opposite side of the housing. Continue this action down length of the lens until it is fully installed on the housing. (Fig. 2)



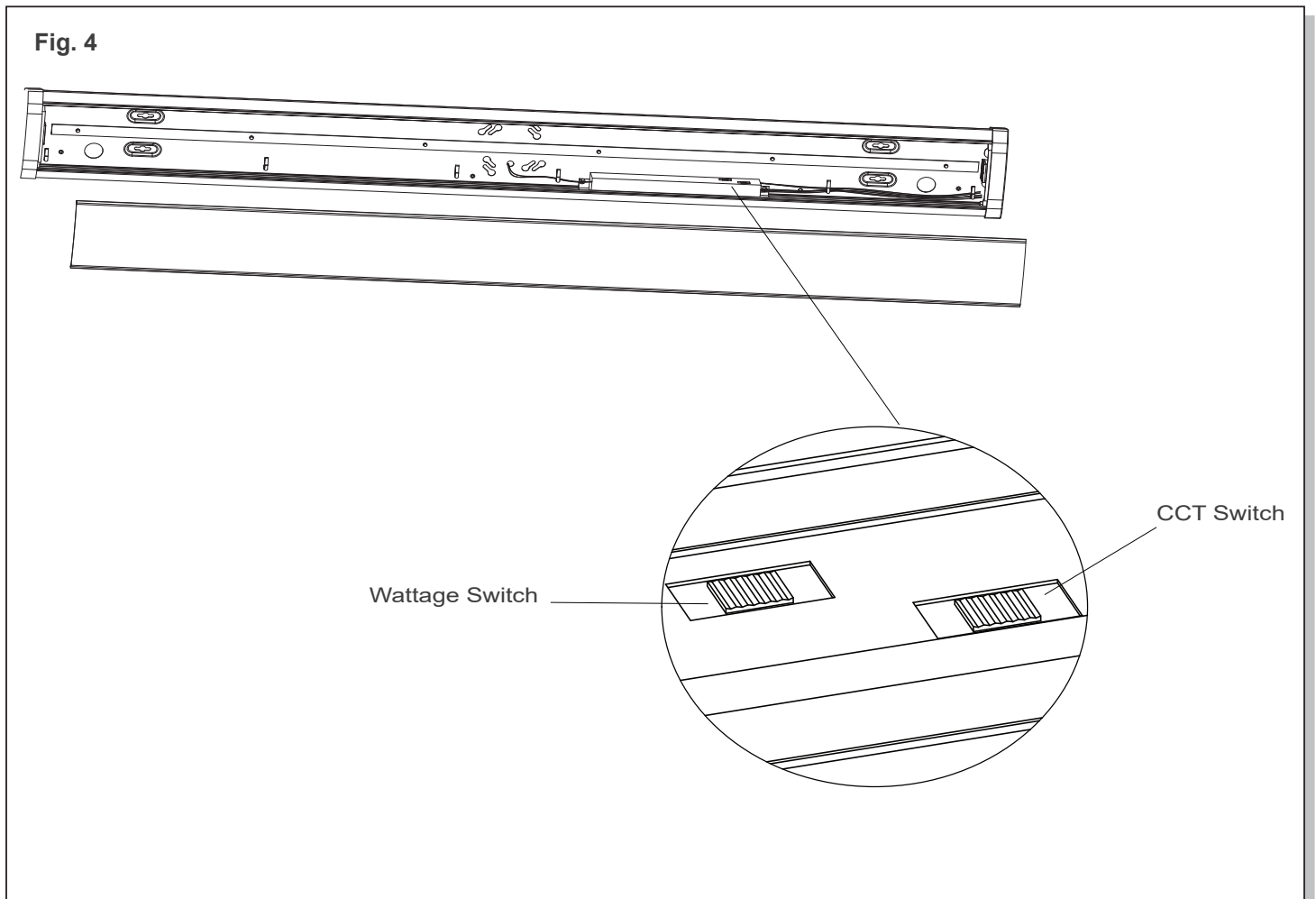
### Surface Mount (Method 2)

1. Remove the lens from the housing using the suction cup. (Fig. 3)
2. Make electrical connections; see **Electrical Connections** section.
3. Hang the fixture to the screws on the edge of the J-box, then turn the fixture to align it to the J-box. Lock the screws so the so fixture is secured firmly. (Fig. 3)
4. Reinstall the diffuser. (Fig. 3)



### Field-Adjustable Wattage & CCT

1. The end users may adjust the color temperature and lumen output by the two DIP switch buttons integrated into the driver. Each DIP switch is accommodated with 3 options (left, middle and right), corresponding to 3 color temperatures and 3 wattages, which can perform the desired color temperature and lumen output combination.
2. The DIP switches are located on the driver.
3. Select a wattage and color temperature by sliding the switch left, middle or right to the desired value. (Fig. 4)



### Electrical Connections (Fig. 5)

All electrical connections should be made inside the junction box. Make electrical connection as follows:

#### 120-277VAC

Black - 120-277VAC

White - Common

Green - Ground

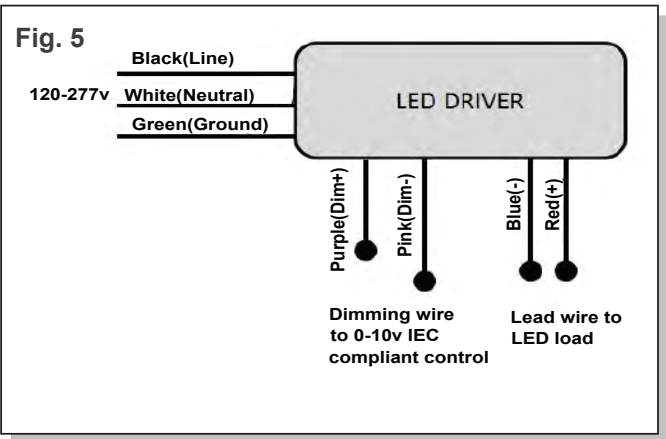
If dimming is used:

Purple - Positive (+)

Pink - Negative (-)

**Note:** Cap unused leads to prevent shorting.

This fixture auto-adjusts to voltages between 120-277VAC.



### Troubleshooting

If the fixture does not turn ON:

1. Check incoming voltage to the LED driver. The voltage must be a minimum of 120VAC and no greater than 277VAC.
2. Are all LEDs on the light engine OFF? If so, the LED driver may be defective. Using a voltmeter, check to see if voltage is present at the output of the power supply. If low or no voltage is found, replace the power supply.
3. If any individual LEDs are OFF, the LED light engine may be defective. Please have the serial number of the light engine available when you contact technical support.
4. If the unit is equipped with a dimmer, check the dimmer to make sure it is functioning properly.