



IMPORTANT SAFEGUARDS READ AND FOLLOW ALL SAFETY INSTRUCTIONS.

When using electrical equipment, basic safety precautions should always be followed including the following:

- **DISCONNECT AC POWER SUPPLY BEFORE SERVICING.**
- Installation and servicing of this equipment should be performed by qualified service personnel only.
- Ensure that the electrical wiring conforms to the National Electrical Code NEC® and local regulations if applicable.
- Do not mount in hazardous locations, or near gas or electrical heaters.
- Do not let power cords touch hot surface.
- Do not use outdoors.
- Equipment should be mounted in locations and at heights where it will not be readily subjected to tampering by unauthorized personnel.
- The use of accessory equipment not recommended by the manufacturer may cause an unsafe condition.
- Any modification or use of non-original components will void the warranty and product liability.
- Do not use this equipment for other than intended use.
- Allow battery to charge for 24 hours before first use.

SAVE THESE INSTRUCTIONS!

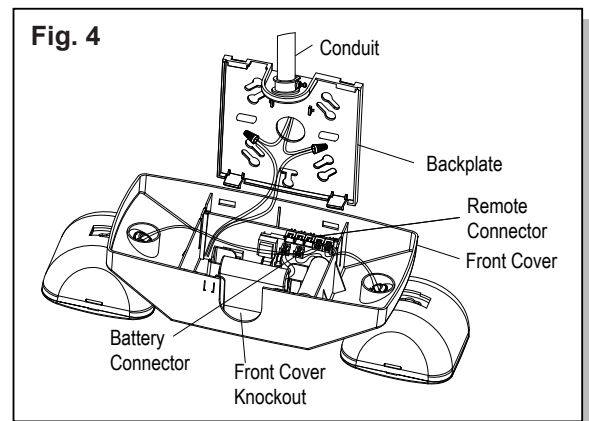
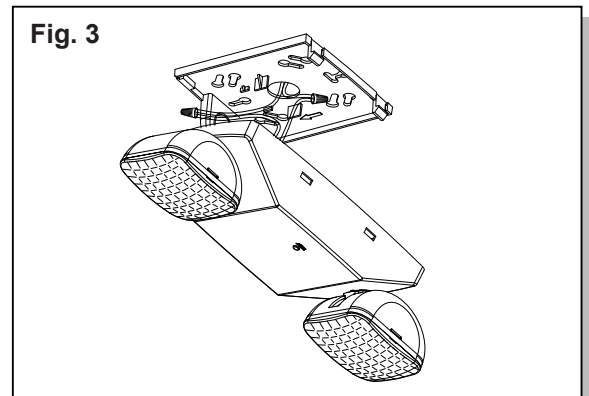
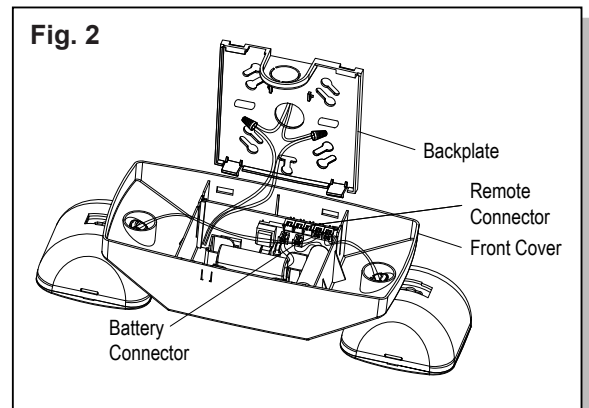
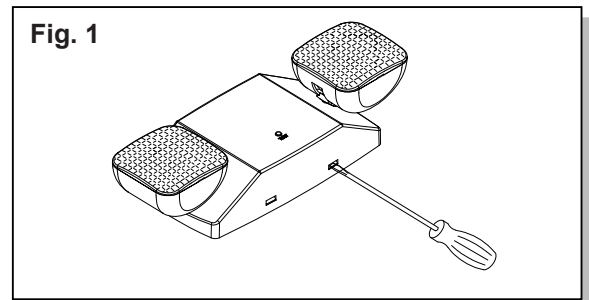
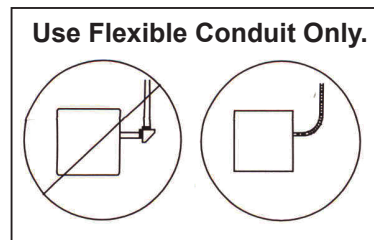
Technical Support ■ (623) 580-8943 ■ technicalsupport@barronltg.com

Wall/Ceiling Mount - Back Power Feed (Fig. 2/Fig. 3)

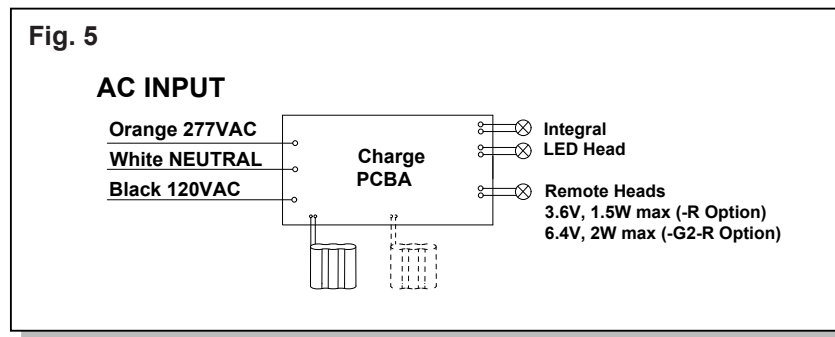
1. Insert a flat blade screwdriver into the two slots to remove front cover from backplate. (Fig 1).
2. Remove the knockout hole on the center of the backplate. Then remove the knockouts on the backplate that correspond to the junction box holes to be used. The knockout holes are easily removed when it is removed from the outside of the backplate.
3. Route AC supply leads through the center hole on the backplate, then make the proper wire connections. Connect the white wire to neutral. If using 120VAC, connect the black wire to the hot lead. If using 277VAC, connect the orange wire to the hot lead. Cap the unused lead. Refer to **Wiring Diagram** section. (Fig. 5)
4. Feed excess wire into junction box and secure backplate to junction box.
5. Connect remote lamp wires if fixture is remote capable. Refer to **Remote Heads Connection** section. (Fig. 2)
6. Plug male battery connector into female battery connector on PCBA. (Fig. 2)
7. Snap the front cover onto the backplate.
8. Restore power and then test fixture by pressing test button. LED heads will turn on.
9. Adjust the direction of lamp heads for optimal lighting coverage.

Wall Mount - Top Power Feed (Fig. 4)

1. Insert a flat blade screwdriver into the two slots to remove front cover from backplate. (Fig. 1)
2. Remove top knockout on the top flange of fixture for the flexible conduit access hole.
3. Secure flexible conduit (or surface raceway) to knockout and route wires through conduit to junction box.
4. Remove appropriate knockouts from backplate and mount to wall.
5. Refer to steps 3-9 above in **Wall/Ceiling Mount - Back Power Feed**.



Wiring Diagram (Fig. 5)



Remote Heads Connection - (Option)

1. Attach remote wire on remote connector on PCBA.
2. Connect extended remote head wires to the remote wires using wire nuts. Yellow is positive (+) and the purple is negative (-).

Max. Mounting Height

Model	Height
EQMS, EQMS-R	22 ft
EQMS-G2	29.6 ft

Maintenance

The battery has to recharge if the product is kept in stock over 9 months. We recommend that the equipment is tested regularly in accordance with local codes. Replace the batteries as needed if discharge time does not achieve 90 minutes.

Operation (Standard models)

The battery in this unit may not be fully charged. After electricity is connected to the unit for at least 24 hours, then normal operation of this unit should take effect. To check, press the "TEST" button. The EXIT sign should stay illuminated by battery backup and the LED indicator will be turned off. Release the "TEST" button, LED indicator will be turned on.

In accordance with NFPA 101, your emergency lighting system must be tested monthly for a minimum of 30 seconds and annually for 90 minutes. Refer to your local codes for any additional requirements that may apply.

Testing and Reporting Instructions (G2 models)

- When AC power is supplied to fixture, the unit will automatically initiate a self-test and self-diagnostic test as follows:
 - Verifies battery disconnection, charger board failure at every 5 seconds.
 - 1 minute self-testing every month.
 - 30 minutes self-testing on every 6 months after installation.
 - 90 minutes self-testing on every 12 months after installation.
- Dual color LED lamp indicator shows the following status:
 - Green color: On / Ready
Blinking: Testing
 - Red color: (Service Alert)
 - Service Alert LED Code (Red color LED lamp indicator)

●	One blink ON/pause (4 seconds)	Battery is not connect
●●	Two blinks ON/pause (4 seconds)	Battery voltage too low
●●●	Three blinks ON/pause (4 seconds)	Charger board circuit fault
●●●●	Four blinks ON/pause (4 seconds)	Transfer function failure
●●●●●	Five blinks ON/pause (4 seconds)	Integral lamp fault

Note: After solving the fault of emergency equipment, please press test button for 2 seconds then release to reset. LED indicator will show green.

- “-G2” models also have a manual test function, press test button as follows:

Press test button once (within 2 seconds)	30 seconds discharge test
Press test button twice (within 2 seconds)	3 minutes discharge test
Press test button 3 times (within 2 seconds)	30 minutes discharge test
Press test button 4 times (within 2 seconds)	90 minutes discharge test

Trouble Shooting Guide

If LED leads or LED indicator does not illuminate, check the following:

- Check AC supply - verify that unit has 24 hours AC supply.
- Check battery connection.
- Discharge the battery and then charge the battery for 24 hours and retest.
- If above trouble shooting hints do not solve the problem, contact factory for assistance.