



IMPORTANT SAFEGUARDS READ AND FOLLOW ALL SAFETY INSTRUCTIONS.

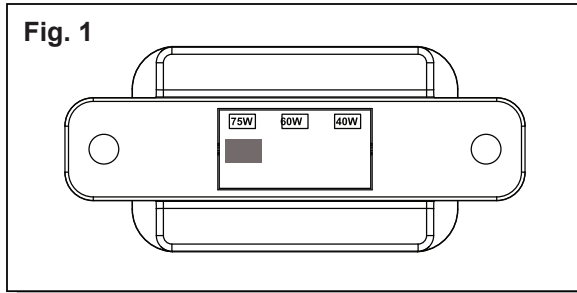
When using electrical equipment, basic safety precautions should always be followed including the following:

- **DISCONNECT AC POWER SUPPLY BEFORE SERVICING.**
- Installation and servicing of this equipment should be performed by qualified service personnel only.
- Ensure that the electrical wiring conforms to the National Electrical Code NEC® and local regulations if applicable.
- Do not mount near gas or electrical heaters.
- Equipment should be mounted in locations and at heights where it will not be readily subjected to tampering by unauthorized personnel.
- The use of accessory equipment not recommended by the manufacturer may cause an unsafe condition.
- Any modification or use of non-original components will void the warranty and product liability.
- Do not use this equipment for other than intended use.

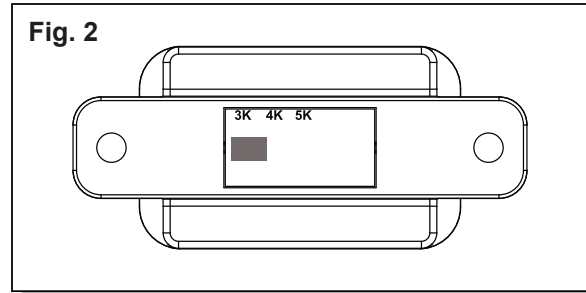
SAVE THESE INSTRUCTIONS!

Technical Support ■ (623) 580-8943 ■ technicalsupport@barronltg.com

Before Installation

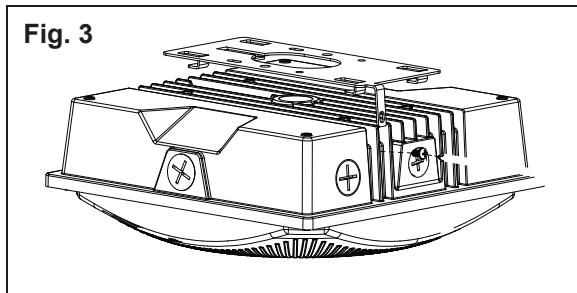


1. Set the desired fixture wattage (75W, 60W or 40W) by moving the DIP switch. (Fig. 1)

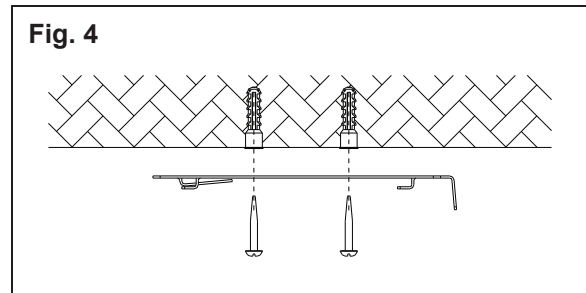


2. Set the desired color temperature (3000K, 4000K or 5000K) by moving the DIP switch. (Fig. 2)

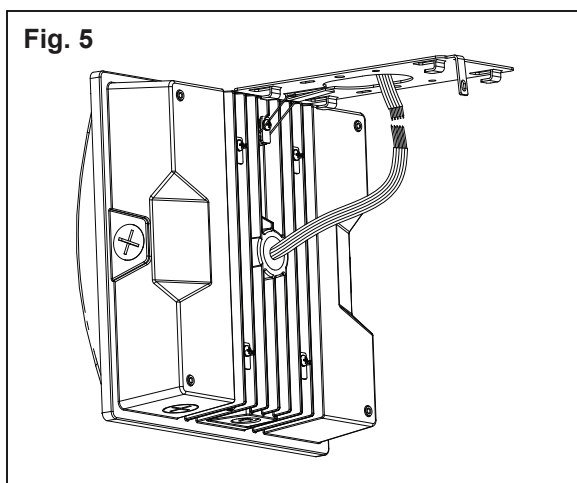
Ceiling Mount Installation



1. Remove mounting plate from the fixture. (Fig. 3)

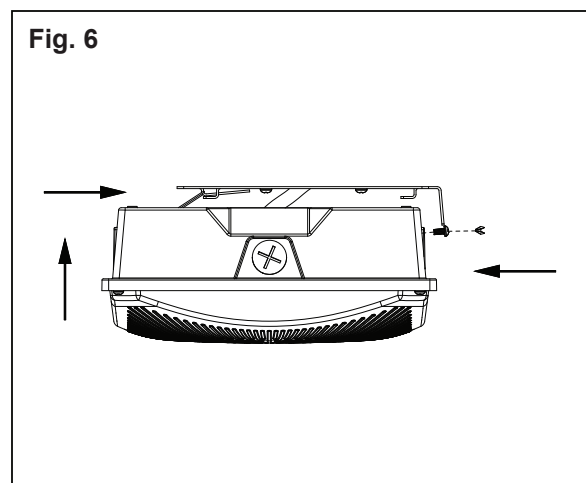


2. Place the mounting plate in the desired location on the ceiling and secure with appropriate hardware provided by others. (Fig. 4)



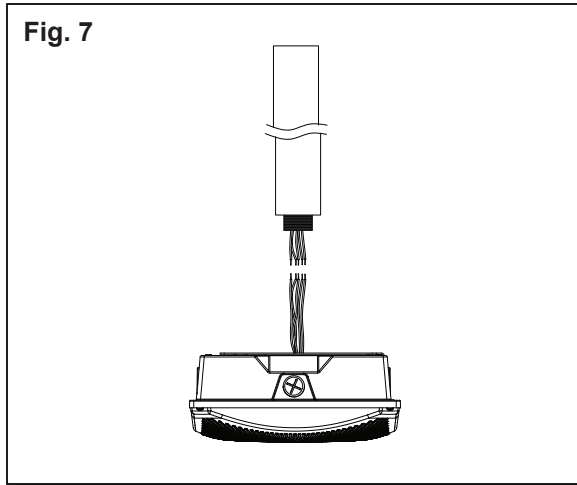
3. Hang fixture on mounting plate hook. (Fig. 5)

4. Make electrical connections; see **Electrical Connections** section.

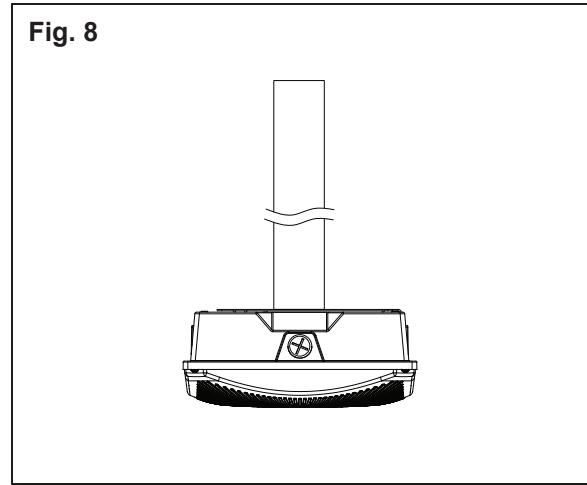


5. Swing the fixture up on the mounting plate hook and secure with screws on both sides of the fixture. (Fig. 6)

Stem Mount Installation



1. Make electrical connections; see **Electrical Connections** section. (Fig. 7)



2. Screw the fixture to the stem mount. (Fig. 8)
3. Apply silicone sealant around stem mount edge to seal connection.

Electrical Connections

Make electrical connections per **Wiring Diagram**. (Fig. 9)

- a. Connect the line fixture lead to the black supply lead.
- b. Connect the common fixture lead to the white supply lead.
- c. Connect the ground fixture lead the green supply lead.

Note: Cap unused leads to prevent shorting.

Troubleshooting

If the unit does not turn "ON":

1. Check incoming voltage to the LED driver. On the Switch/Un-switch line it must be a minimum of 120VAC and no greater than 277VAC.
2. Are all LEDs on the light engine "OFF"? If so, the LED driver may be defective. Using a voltmeter, check to see if the voltage is present at the output of the power supply. If low or no voltage is found, replace the power supply.
3. If any individual LEDs are "OFF" the LED light engine may be defective. Please have the serial number off the light engine available when you contact technical support.

