

IMPORTANT SAFEGUARDS READ AND FOLLOW ALL SAFETY INSTRUCTIONS.

When using electrical equipment, basic safety precautions should always be followed including the following:

- **DISCONNECT AC POWER SUPPLY BEFORE SERVICING.**
- Installation and servicing of this equipment should be performed by qualified service personnel only.
- Ensure that the electrical wiring conforms to the National Electrical Code NEC® and local regulations if applicable.
- Do not mount near gas or electrical heaters.
- Equipment should be mounted in locations and at heights where it will not be readily subjected to tampering by unauthorized personnel.
- The use of accessory equipment not recommended by the manufacturer may cause an unsafe condition.
- Any modification or use of non-original components will void the warranty and product liability.
- Do not use this equipment for other than intended use.

SAVE THESE INSTRUCTIONS!

Technical Support ■ (623) 580-8943 ■ technicalsupport@barronltg.com

Caution:

This fixture is designed for wall mounting and downlight orientation ONLY.

Housing and Backplate may disengage abruptly when opened.

Fixture must use fasteners and mounting methods suitable for desired application (not supplied).

E110X

Installation Instructions

E110X Fixture Installation

1. Verify voltage capabilities of fixture and accessories matches the supply voltage capability.

Place fixture on clean, soft work surface oriented as shown in (Fig. 1)

2. Take care to support the housing and backplate as they may disengage. Unscrew (2) housing screws from the backplate. Housing screws are shipped with rubber O-rings to retain them in the housing.

3. Locate LED wire connector between the housing and backplate. Separate the LED wire connector by pulling from each end of LED wire connector.

4. Remove the housing by opening and disengaging from backplate engagement pins (Fig. 2).

5. Select appropriate locations in backplate for connection wiring and any optional accessory installations. Fixture mounting fastener locations are identified by dimpled locations in the backplate with supporting bosses on the rear of backplate (Fig. 3).

6. Prepare backplate by removing knockouts, conduit openings and drilling the fixture mounting holes as required.

7. Physically install any optional accessories per accessory instructions.

8. Apply the self-adhesive gasket on the backplate (Fig. 1).

9. Remove or drill selected openings in gasket if necessary.

10. If wiring from rear make electrical connections per applicable **Wiring Diagram(s)** and all codes. Otherwise, continue with the next step.

11. Mount backplate to a wall or vertical surface with appropriate fasteners suitable for load (hardware provided by others). Seal holes in backplate with weatherproof sealant as necessary (not supplied)

12. Make all electrical connections per applicable **Wiring Diagram(s)** and all codes.

13. Refer to any applicable accessory instructions and installation instructions as necessary. Some accessory instructions are located in the applicable **Wiring Diagram(s)**.

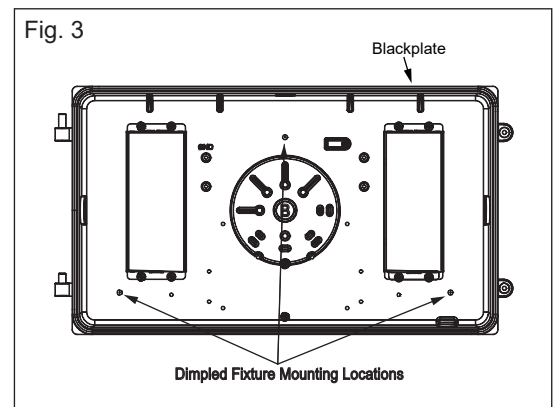
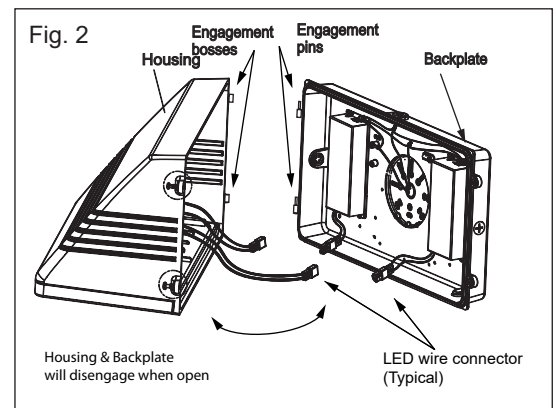
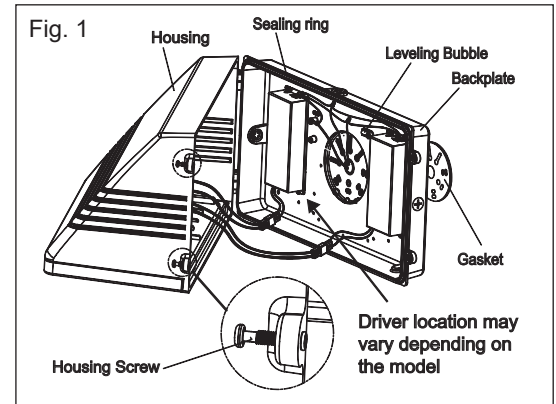
14. Reconnect the LED wire connector.

15. Position the housing and re-engage the housing to the backplate. Close and hold closed until the housing screws are tightened securely.

16. Verify security and sealing of fixture.

17. Test operation.

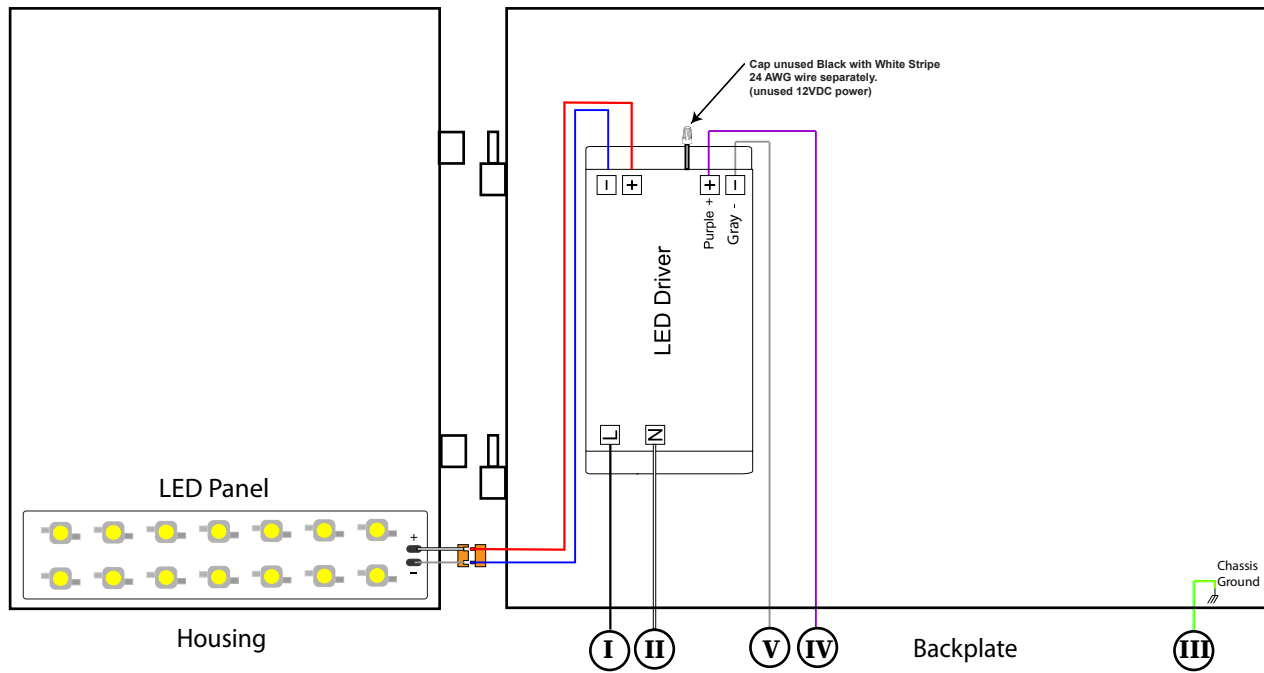
18. Installation complete.



E110X

Installation Instructions

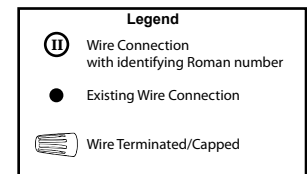
Wiring Diagram for: E110X



Wiring Diagram Notes:

Note 1: If Dimming is not used cap Purple and Gray wires separately.

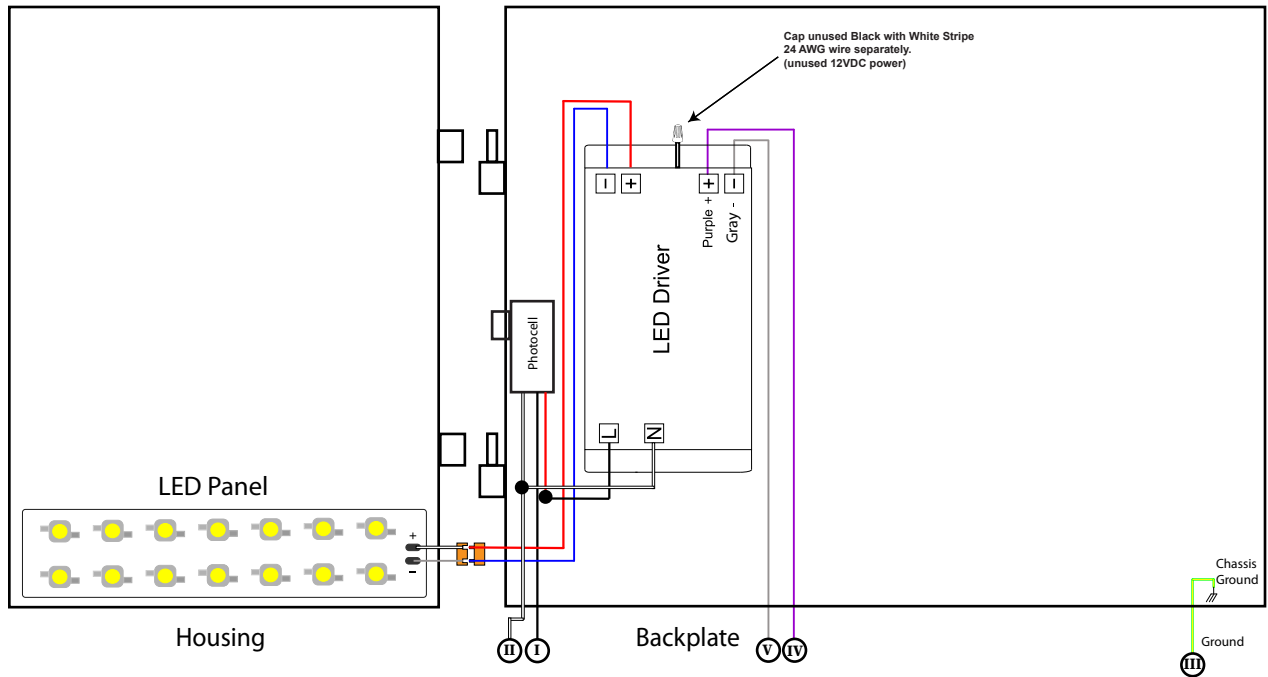
Black	I	Line
White	II	Neutral
Green or Green/ Yellow Stripe	III	Ground
Purple	IV	See Note 1 DIM+
Gray	V	See Note 1 DIM-



E110X

Installation Instructions

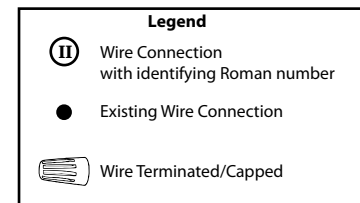
Wiring Diagram for E110X with Photocell



Wiring Diagram Notes:

Note 1: If Dimming is not used cap Purple and Gray wires separately.

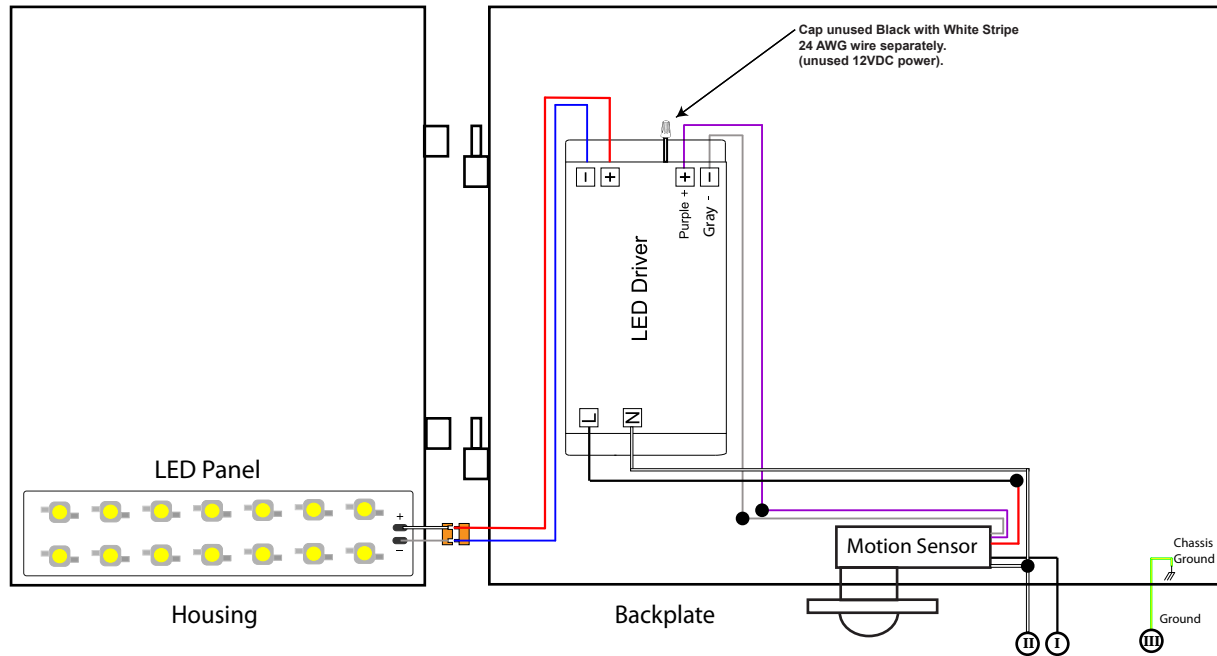
Black	I	Line
White	II	Neutral
Green or Green/ Yellow Stripe	III	Ground
Purple	IV	See Note 1 DIM+
Gray	V	See Note 1 DIM-



E110X

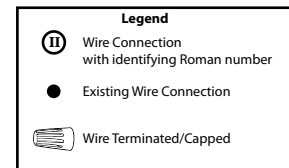
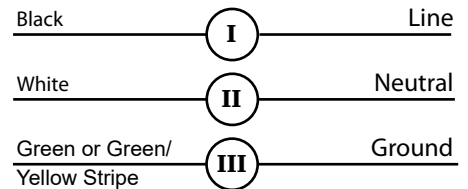
Installation Instructions

Wiring Diagram for E110X with Motion Sensor



Motion Sensor Information & Operation

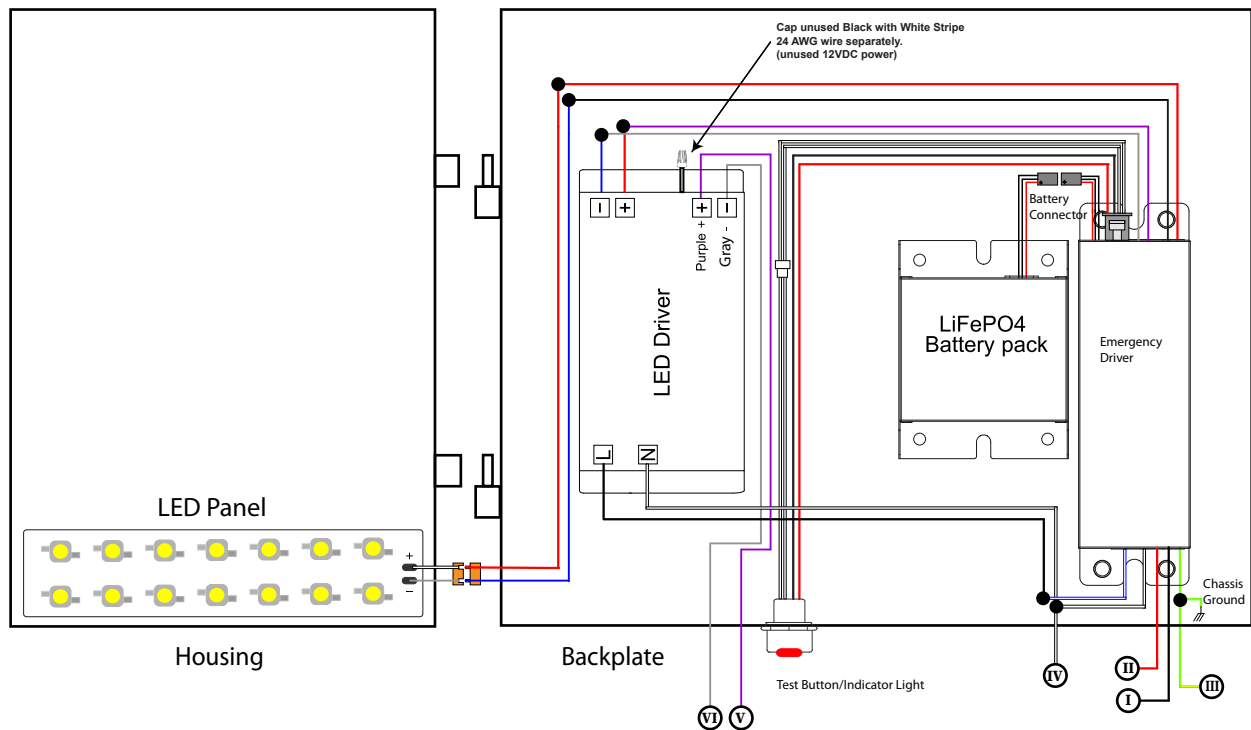
- 1) Inspect the engagement slot on Motion Sensor. Depending on sensor version the lens may engage “counterclockwise”. Place lens over sensor and rotate lens approximately 1/4 turn in the proper direction until fully engaged. Do not use excessive force.
- 2) Motion Sensor has DIP switches set at the manufacturer’s default settings. The default DIP switch settings are listed in the **Motion Sensor DIP Switch Settings Diagram**. The Motion Sensor DIP switches are only accessible from within the housing.
- 3) The Motion Sensor settings can be overridden by the remote control/configurator accessory sold separately.
- 4) Full Motion Sensor instructions are included in the box or available on the **Barron Lighting Group** website.



E110X

Installation Instructions

Wiring Diagram for E110X with Battery Backup



Wiring Diagram Notes:

Note 1: If Dimming is not used cap Purple and Gray wires separately.

Battery Backup Information and Operation

- 1) Connect battery connector before closing the housing.
- 2) Battery requires up to 24 hours to fully charge after connecting to the unswitched line power.
- 3) Battery Backup has a momentary test button with red indicator light.

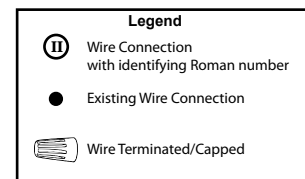
In normal operation:

Red Indicator Light ON: Indicates there is power to the Battery Backup and it is in charging mode.

Indicator Light OFF: Battery Backup is in discharging mode and there is no power to the unswitched line.

- 4) Pressing and holding the momentary test button simulates loss of power. The red indicator light should go OFF and the fixture LEDs should illuminate under battery power. Releasing the test button resumes normal operation

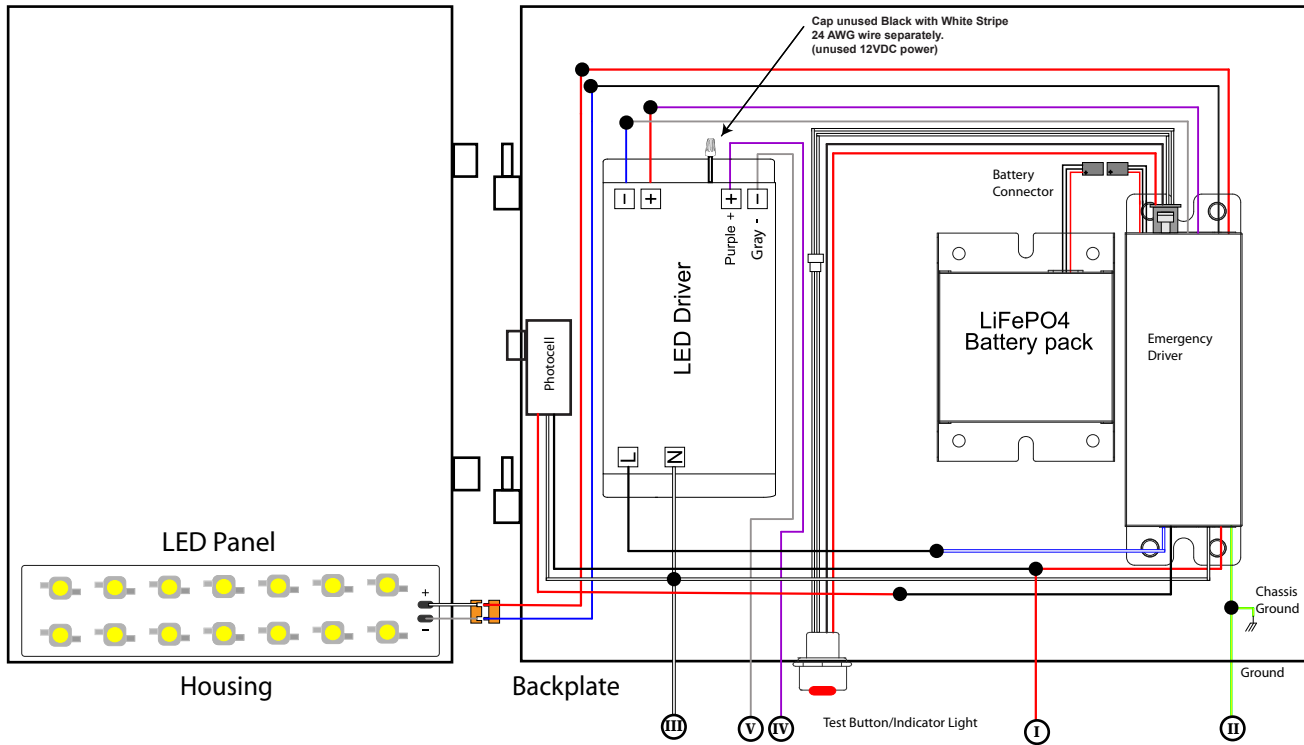
Black	I	Switch Line
Red	II	Unswitched Line
Green or Green/ Yellow Stripe	III	Ground
White	IV	Neutral
Purple	V	See Note 1 DIM+
Gray	VI	See Note 1 DIM-



E110X

Installation Instructions

Wiring Diagram for E110X with Battery Backup and Photocell



Wiring Diagram Notes:

Note 1: If Dimming is not used cap Purple and Gray wires separately.

Battery Backup Information and Operation

Connect battery connector before closing the housing.

Battery requires up to 24 hours to fully charge after connecting to the unswitched line power.

Battery Backup has a momentary test button with red indicator light.

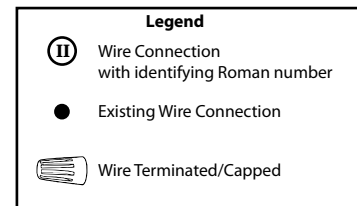
In normal operation:

Red Indicator Light ON: Indicates there is power to the Battery Backup and it is in charging mode.

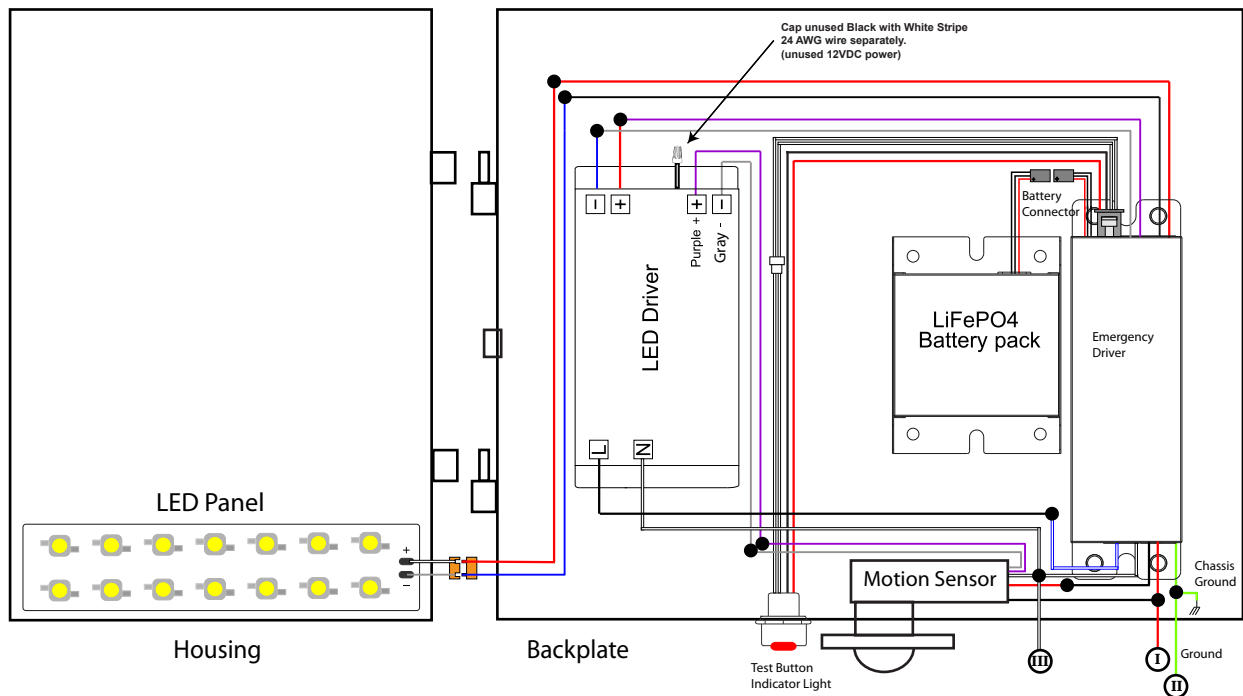
Indicator Light OFF: Battery Backup is in discharging mode and there is no power to the unswitched line.

Pressing and holding the momentary test button simulates loss of power. The red indicator light should go OFF and the fixture LEDs should illuminate under battery power. Releasing the test button resumes normal operation

Red	I	Unswitched Line
Green or Green/ Yellow Stripe	II	Ground
White	III	Neutral
Purple	IV	See Note 1 DIM+
Gray	V	See Note 1 DIM-

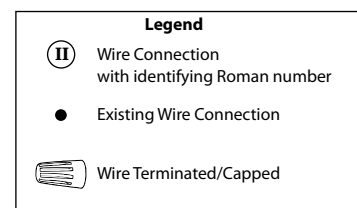
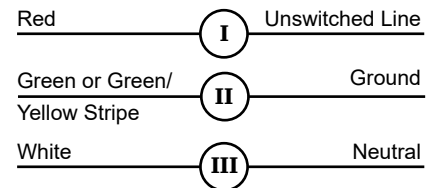


Wiring Diagram for E110X with Battery Backup and Motion Sensor



Motion Sensor Information & Operation

- 1) Inspect the engagement slot on the Motion Sensor. Depending on sensor version the lens may engage "counterclockwise". Place lens over sensor and rotate lens approximately 1/4 turn in the proper direction until fully engaged. Do not use excessive force.
- 2) Motion Sensor has DIP switches set at the manufacturer's default settings. The default DIP switch settings are listed in the **Motion Sensor DIP Switch Settings Diagram**. The Motion Sensor DIP switches are only accessible from within the housing.
- 3) The Motion Sensor settings can be overridden by the remote control/configurator accessory sold separately.
- 4) Full Motion Sensor instructions are included in the box or available on the **Barron Lighting Group** website.



Battery Backup Information and Operation

- 1) Connect the battery connector before closing housing.
- 2) Battery requires up to 24 hours to fully charge after connecting to unswitched line power.
- 3) Battery Backup has a momentary test button with red indicator light.

In normal operation:

Red Indicator Light ON: Indicates there is power to the Battery Backup and it is in charging mode.
Indicator Light OFF: Battery Backup is in discharging mode and there is no power to the unswitched line.

- 4) Pressing and holding the momentary test button simulates loss of power. The Red indicator light should go OFF and the fixture LEDs should illuminate under battery power. Releasing the test button resumes normal operation

Motion Sensor DIP Switch Settings Diagram

DIP Switch Number	OFF	ON	Default Setting	Available Settings
1		X	Detection Range Sensitivity Setting: 100% Sensitivity (1 ON, 2 ON)	Detection Range Sensitivity Settings: 20% (1 OFF, 2 OFF) 50% (1 OFF, 2 ON) 75% (1 ON, 2 OFF) 100% (1 ON, 2 ON)
2		X		
3	X		Hold Time Setting: 10 Seconds (3 OFF, 4 OFF)	Hold Time Settings: 10 Seconds (3 OFF, 4 OFF) 1 Minute (3 OFF, 4 ON) 5 Minutes (3 ON, 4 OFF) 15 Minutes (3 ON, 4 ON)
4	X			
5		X	Light Control Setting: 30 LUX (5 ON, 6 OFF)	Light Control Settings: Light Sensor Disabled (5 OFF, 6 OFF) 10 LUX (5 OFF, 6 ON) 30 LUX (5 ON, 6 OFF) 50 LUX (5 ON, 6 ON)
6	X			
7		X	Stand-by Light Level Setting: 30% (7 ON, 8 OFF)	Stand-by Light Level Settings: 0% (7 OFF, 8 OFF) 10% (7 OFF, 8 ON) 30% (7 ON, 8 OFF) 50% (7 ON, 8 ON)
8	X			
9		X	Stand-by Time Setting: 60 Minutes (9 ON, 10 ON)	Stand-by Time Setting: Infinite (9 OFF, 10 OFF) 1 Minute (9 OFF, 10 ON) 30 Minutes (9 ON, 10 OFF) 60 Minutes (9 ON, 10 ON)
10		X		

Please refer to motion sensor instructions and remote/configuration instructions on the **Barron Lighting Group** website for full explanations and capabilities

E110X

Installation Instructions

Troubleshooting

If the E110X does not operate as expected:

1. Check incoming voltage. Voltage must meet fixture requirements.
2. If all LEDs do not illuminate. Ensure driver(s) are secure. If secure, use multimeter to check voltage is present at the output of the power supply. If low or no voltage, consult factory.

Battery Backup Equipped Models: Check that the battery and test button are securely connected. Check battery voltage using a multimeter. If the voltage is below the battery rating, battery may need to be replaced.

Motion Sensor Equipped Models: Check operation of the motion sensor. Refer to motion sensor and/or remote instructions at the **Barron Lighting Group** website.