

**DESCRIPTION**

The E110S Series architectural trapezoid wallpack is designed for optimal light control and distribution. The die-cast aluminum construction provides ideal thermal management and durability. This series features field switchable power (3,800 to 14,500 lumens) and color temperature (3000K, 4000K and 5000K CCT). The E110S has a zero uplight design to eliminate light pollution and is offered with battery backup and photocontrol options. It is UL Listed for Wet Locations and is DesignLights Consortium® (DLC) PREMIUM Qualified for maximum energy savings and utility rebates. This series is ideal for new constructions or retrofit applications.

**SPECIFICATIONS**

**Construction:**

- Die-cast aluminum housing in a powder coated bronze finish with stainless steel hardware
- UV Stabilized polycarbonate optical lens
- Integral heat sink maximizes heat dissipation for longer LED life
- Hinged back box isolates drivers from LEDs and offers easy access to drivers
- Back box includes 3 conduit entry points (one on top and two on the sides, one side used for integral AUX sensor receptacle)
- CCT and Wattage switches located inside housing

**Optics/LEDs:**

- Zero uplight design to minimize light pollution
- Up to 176 LPW
- CCT Switchable; 3000K, 4000K and 5000K CCT
- CRI ≥80
- L70 > 54,000 hours
- L90 > 50,000 hours

**Electrical:**

- 120-277VAC, 50/60Hz
- 0-10V Dimming driver
- Power factor > 0.90
- Total harmonic distortion <20%
- All configurations are CCT (3000K/4000K/5000K) and power switchable (4 levels):
  - 26W (1,882lm, 2,503lm, 3,374lm, 3,800lm)
  - 65W (4,043lm, 5,783lm, 7,873lm, 9,400lm)
  - 100W (6,667lm, 9,545lm, 12,725lm, 14,500lm)

**Installation:**

- Housing hinges to back box for easy installation
- Back box accommodates conduit entry and integral AUX sensor receptacle
- Mounts to a standard 3.5" or 4" electrical J-box
- Three (3) ½" conduit holes on three sides allow for surface conduit wiring and integral AUX sensor receptacle
- CCT and Wattage switches located inside housing
- Same footprint as traditional trapezoid wallpack

**Options:**

- Integral battery backup option (BB) operates for 90 minutes, providing up to 900 lumens of emergency powered illumination for 90 minutes for path of egress. Rated for ambient temperatures of 10°C to 40°C (50°F to 104°F)
- Field or factory installed 120/277VAC photocontrol button (PC)

**Accessories:**

- Receptacle built in on side of housing for plug and play occupancy sensors
- Wireless Bluetooth PIR Sensor with daylight harvesting capabilities, Black Finish, 12V, 3.5mm AUX port ([LE-E110S-BL-KIT](#))
- Dimming occupancy sensor, PIR, with daylight harvesting capabilities, Black Finish, 12V, 3.5mm AUX port ([SC-E110S-BL-KIT](#))
- Remote for SC-E110S-BL-KIT occupancy sensor (TL-MSSW-REMOTE)
- Button type universal photocontrol 120/277VAC (PCU)

Model: \_\_\_\_\_ Date: \_\_\_\_\_  
 Accessories: \_\_\_\_\_  
 Job Name: \_\_\_\_\_ Type: \_\_\_\_\_



Specs at a Glance			
Model	E110S-26	E110X-65	E110S-100
<b>Wattage (W)*</b>	11W-15W-21W-26W (Switchable)	23-34W-49W-65W (Switchable)	40W-60W-80W-100W (Switchable)
<b>Lumens (lm)</b>	1,882 - 3,800	4,043 - 9,400	6,667 - 14,500
<b>Efficacy (LPW)</b>	Up to 176 LPW		
<b>CCT (K)</b>	3000K-4000K-5000K (Switchable)		
<b>CRI</b>	≥80		
<b>Input Voltage</b>	120-277VAC, 50/60Hz, 0-10V Dimmable		
<b>Operating Temp</b>	-40°C to 40°C (-40°F to 104°F)		
<b>Certifications</b>	cULus Listed for Wet Locations, DLC Premium		
<b>Warranty</b>	5 Years		

\*Nominal Wattage. Tested at 5000K CCT. See performance table for more detailed lumen information.

**Note:** Environment and application will affect actual performance. Typical values and 25°C used for testing.

**Testing & Compliance:**

- cULus Listed for Wet Locations
- DesignLights Consortium® (DLC) PREMIUM Qualified
- Operating temperatures: -40°C to 40°C (-40°F to 104°F)

**Warranty:**

- Five Year Warranty (Terms and Conditions Apply)

**Ordering Information** (Example: E110S-65-CP-BR-BB)

Series	Wattage	CCT & Power Control	Finish	Options
E110S	26 = 11W-15W-21W-26W	CP = Color & Power Switchable	BR = Bronze	BB <sup>1</sup> = Battery Backup
	65 = 23W-34W-49W-65W			PC = Button Photocontrol 120/277VAC
	100 = 40W-60W-80W-100W			
				<b>LiteLogic Accessories<sup>2</sup></b> (Field Installed)
				<b>LE-E110S-BL-KIT<sup>3</sup></b> = Bluetooth Enabled Dimming Occupancy Sensor, PIR, Black
<b>Notes</b>				PCU = Button Photocontrol 120/277VAC
<sup>1</sup> Battery Backup not available for 100W units				SC-E110S-BL-KIT = Dimming Occupancy Sensor, PIR, Black Finish
<sup>2</sup> Order as a separate line item. Ships in separate box for final installation in the field				TL-MSSW-REMOTE = Remote for Sensor

**Performance Data**

Model	Wattage	CCT	Lumens	Lumens per Watt
E110S-26-CP-BR (11W, 3000K)	11W	3000K	1480	135lm/W
E110S-26-CP-BR (11W, 4000K)	11W	4000K	1560	142lm/W
E110S-26-CP-BR (11W, 5000K)	11W	5000K	1882	171lm/W
E110S-26-CP-BR (15W, 3000K)	15W	3000K	2220	148lm/W
E110S-26-CP-BR (15W, 4000K)	15W	4000K	2340	156lm/W
E110S-26-CP-BR (15W, 5000K)	15W	5000K	2503	167lm/W
E110S-26-CP-BR (21W, 3000K)	21W	3000K	2960	141lm/W
E110S-26-CP-BR (21W, 4000K)	21W	4000K	3120	149lm/W
E110S-26-CP-BR (21W, 5000K)	21W	5000K	3374	161lm/W
E110S-26-CP-BR (26W, 3000K)	26W	3000K	3700	142lm/W
E110S-26-CP-BR (26W, 4000K)	26W	4000K	3900	150lm/W
E110S-26-CP-BR (26W, 5000K)	26W	5000K	3800	146lm/W
E110S-65-CP-BR (23W, 3000K)	23W	3000K	3680	160lm/W
E110S-65-CP-BR (23W, 4000K)	23W	4000K	3880	169lm/W
E110S-65-CP-BR (23W, 5000K)	23W	5000K	4043	176lm/W
E110S-65-CP-BR (34W, 3000K)	34W	3000K	5520	162lm/W
E110S-65-CP-BR (34W, 4000K)	34W	4000K	5820	171lm/W
E110S-65-CP-BR (34W, 5000K)	34W	5000K	5783	170lm/W
E110S-65-CP-BR (49W, 3000K)	49W	3000K	7360	150lm/W
E110S-65-CP-BR (49W, 4000K)	49W	4000K	7760	158lm/W
E110S-65-CP-BR (49W, 5000K)	49W	5000K	7873	161lm/W
E110S-65-CP-BR (65W, 3000K)	65W	3000K	9200	141lm/W
E110S-65-CP-BR (65W, 4000K)	65W	4000K	9700	149lm/W
E110S-65-CP-BR (65W, 5000K)	65W	5000K	9400	145lm/W
E110S-100-CP-BR (40W, 3000K)	40W	3000K	5720	143lm/W
E110S-100-CP-BR (40W, 4000K)	40W	4000K	6000	150lm/W
E110S-100-CP-BR (40W, 5000K)	40W	5000K	6667	167lm/W
E110S-100-CP-BR (60W, 3000K)	60W	3000K	8580	143lm/W
E110S-100-CP-BR (60W, 4000K)	60W	4000K	9000	150lm/W
E110S-100-CP-BR (60W, 5000K)	60W	5000K	9545	159lm/W
E110S-100-CP-BR (80W, 3000K)	80W	3000K	11440	143lm/W
E110S-100-CP-BR (80W, 4000K)	80W	4000K	12000	150lm/W
E110S-100-CP-BR (80W, 5000K)	80W	5000K	12725	159lm/W
E110S-100-CP-BR (100W, 3000K)	100W	3000K	14300	143lm/W
E110S-100-CP-BR (100W, 4000K)	100W	4000K	15000	150lm/W
E110S-100-CP-BR (100W, 5000K)	100W	5000K	14500	145lm/W

Specifications are subject to change without notice.  
Installation must be performed in accordance with  
Barron Lighting Group installation instructions.

Sample Photometry

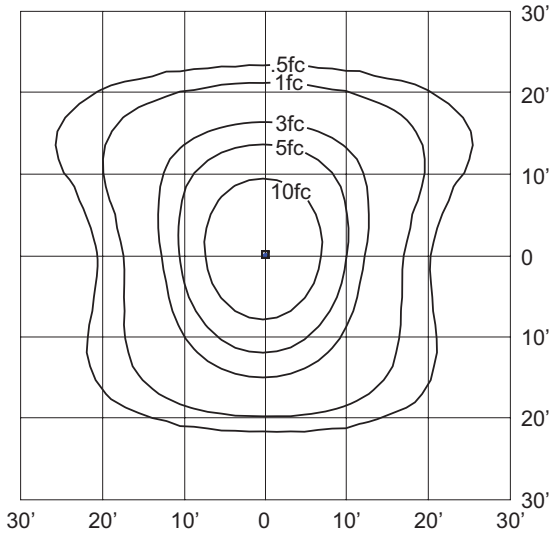
**E110S-65-CP (49W, 4000K)**

IES: TYPE III Very Short

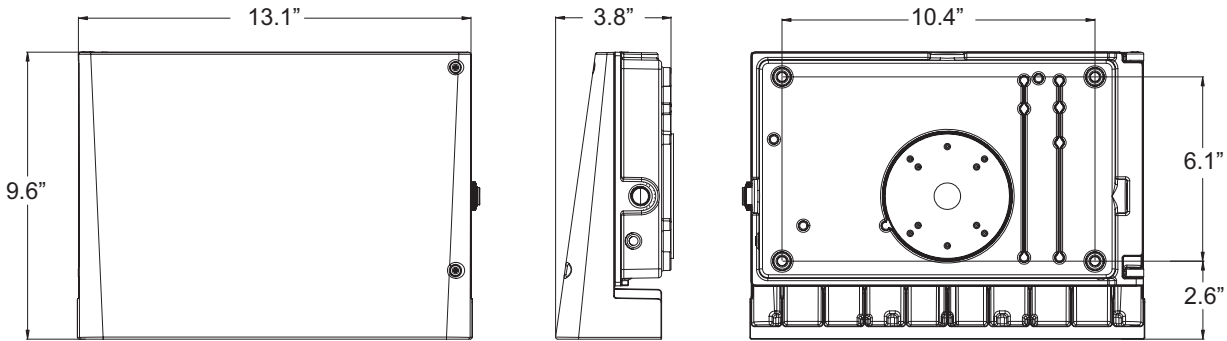
MOUNTING HEIGHT: 10'

TILT: ZERO

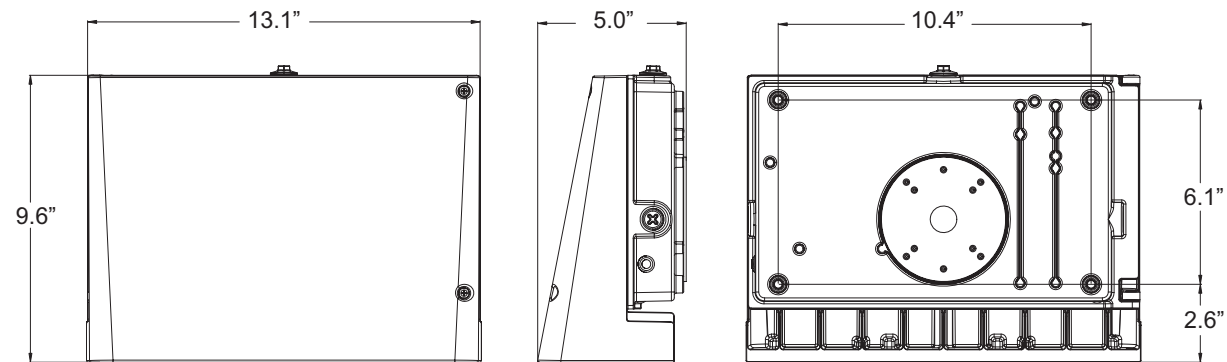
HORIZONTAL SPACING CRITERIA: 1.66



**Dimensions 26W & 65W**



**Dimensions 100W**



Specifications are subject to change without notice.  
Installation must be performed in accordance with  
Barron Lighting Group installation instructions.

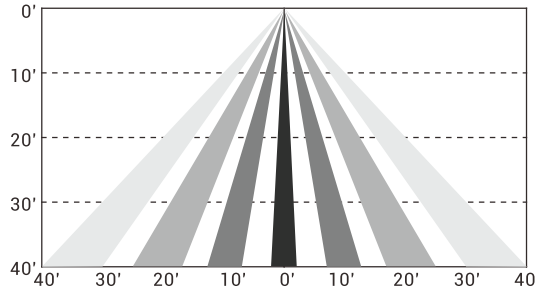


LE-MS3W-BL-AUX-HB1

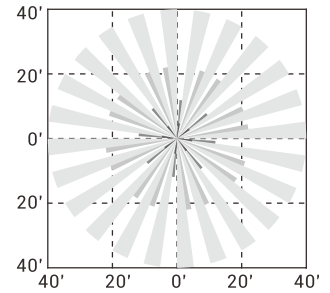


LE-ADAPTER-BL-AUX

Coverage Side View



Coverage Top View (40')



**SEE APP FOR  
SENSOR SETTINGS**

For a complete list of **LiteLogic** compatible products, [click here](#).



Get it from the  
**App Store**



Get it from  
**Google Play**



**Sensor Details (Accessories SC-E110S-BL-KIT and TL-MSSW-REMOTE)**

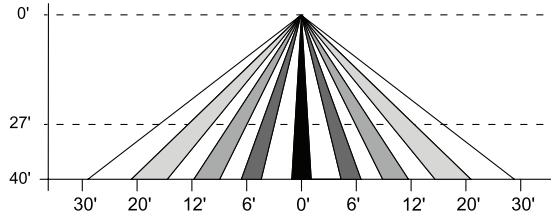


TL-MSP12-BL

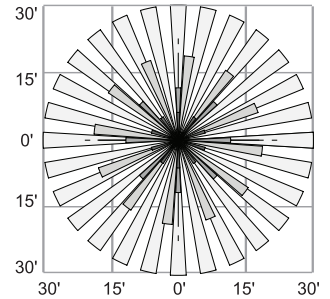


TL-ARM-AUX-BL

Coverage Side View



Coverage Top View (40')



**Sensor Settings (TL-MSSW-REMOTE)**

DETECTION RADIUS/ANGLE	MAX 60'/360°
MOUNTING HEIGHT	MAX 40'
REMOTE RANGE	MAX 33'
FREQUENCY	5.8 GHz
HIGH MODE	70%, 80%, 90%, 100% (DEFAULT 100%)
SENSITIVITY	20%, 50%, 75%, 100% (DEFAULT 100%)
HOLD TIME	10sec, 1min, 5min, 10min, 15min, 20min, 30min, 60min (DEFAULT 5min)
DAYLIGHT HARVESTING	☀️, (disabled), 10Lux, 30Lux, 50Lux, 100Lux, 150Lux, 200Lux, 300Lux (DEFAULT disabled)
STANDBY DIM SETTING	0, 10%, 20%, 30%, OFF (∞), (DEFAULT 30%)
STANDBY TIME SETTING (TO OFF)	ON (disabled), 1min, 30min, 60min (DEFAULT 30min)



TL-MSSW-REMOTE Accessory  
(Sold Separately)



SC-E110S-BL-KIT Accessory  
(Sold Separately)