

IMPORTANT SAFEGUARDS

READ AND FOLLOW ALL SAFETY INSTRUCTIONS.

When using electrical equipment, basic safety precautions should always be followed including the following:

- **DISCONNECT AC POWER SUPPLY BEFORE SERVICING.**
- Installation and servicing of this equipment should be performed by qualified service personnel only.
- Ensure that the electrical wiring conforms to the National Electrical Code NEC® and local regulations if applicable.
- Do not mount near gas or electric heaters.
- Equipment should be mounted in locations and at heights where it will not be readily subjected to tampering by unauthorized personnel.
- The use of accessory equipment not recommended by the manufacturer may cause an unsafe condition.
- Any modification or use of non-original components will void the warranty and product liability.
- Do not use this equipment for other than intended use.

SAVE THESE INSTRUCTIONS!

Junction box Mount

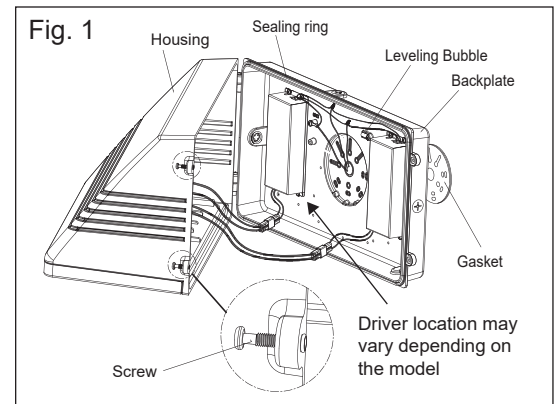
1. Loosen screws and remove the front housing carefully from the backplate (Fig. 1).
2. Drill appropriate knockouts (B) for wiring. The fixture supports standard 3 1/4" and 4"J-box. (Fig. 2)

Note: Do not rely solely on fasteners at the J-box.

3. Drill out the mounting holes (C) from the backplate and secure to the wall with appropriate screws (hardware provided by others).

Note: Use the supplied gasket for a weather tight seal.

4. Connect the wires (See **Wiring** section)
5. Replace the housing onto the backplate hinges, make connections, then close and tighten with screws.



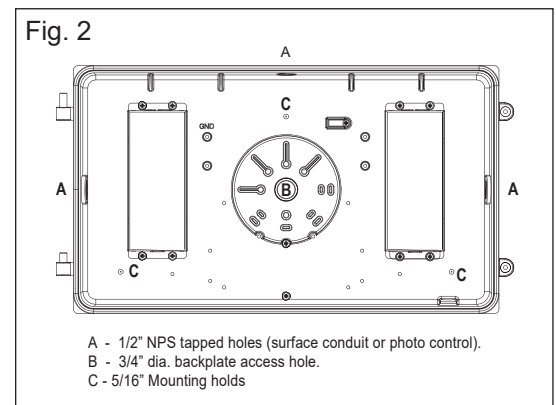
Conduit Mount

1. Loosen screws and remove the front housing carefully from the backplate.
2. Remove 1/2" plug (A) for conduit feed.
3. Drill out the mounting holes (C) from the backplate and secure to the wall with appropriate screws (hardware provided by others).

Note: Use the supplied gasket for a weather tight seal.

4. Connect the wires (See **Wiring** section).
5. Replace the housing onto the hinges, make connections then close and tighten with screws.

Note: Construction is suitable for downlight ONLY.



Wiring

Make electrical connections as follows:

Black - Line	If Dimming is used:
White - Neutral	Purple - DIM+
Green/Yellow Green - Ground	Gray - DIM-

Note: This fixture auto adjusts for voltages from 120-277V.
Cap all unused leads to prevent shorting.

EM MODELS: Securely connect the battery before closing the unit.
To prevent battery damage connect battery only after continuous AC power can be supplied to the unit.

IMPORTANT: Weather-proof your outdoor installation, be sure to seal all holes in the fixture's housing such as the mounting, conduit, plugs, sensors, photocontrols, etc. with silicone sealant.

Troubleshooting

If the E110 does not turn on:

1. Check incoming voltage to the LED driver, voltage must be between 120VAC and 277VAC.
2. If all LEDs do not illuminate, the driver(s) may be disconnected. Ensure driver(s) are secure. If secure, use multimeter to check voltage is present at the output of the power supply. If low or no voltage, consult factory.
3. If some, but not all LEDs are illuminated, consult factory for additional technical support. Please have the catalog number and photos available when contacting technical support.

EM MODELS: Check that the battery and test button are securely connected. Check using a multimeter if the voltage is below the rating written on the battery, battery may need to be replaced.

