

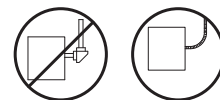


IMPORTANT SAFEGUARDS READ AND FOLLOW ALL SAFETY INSTRUCTIONS.

When using electrical equipment, basic safety precautions should always be followed including the following:

- **DISCONNECT AC POWER SUPPLY BEFORE SERVICING.**
- Installation and servicing of this equipment should be performed by qualified service personnel only.
- Ensure that the electrical wiring conforms to the National Electrical Code NEC® and local regulations, if applicable.
- Do not mount near gas or electrical heaters.
- Do not use outdoors.
- Equipment should be mounted in locations and at heights where it will not be readily subjected to tampering by unauthorized personnel.
- The use of accessory equipment not recommended by the manufacturer may cause an unsafe condition.
- Any modification or use of non-original components will void the warranty and product liability.
- Do not use this equipment for other than intended use.
- Allow battery to charge for 24 hours before first use.
- Use cautions when servicing batteries. Battery acid can cause burns to skin and eyes. If acid is spilled on skin or in eyes, flush acid with fresh water and contact a physician immediately.

Use Flexible Conduit Only



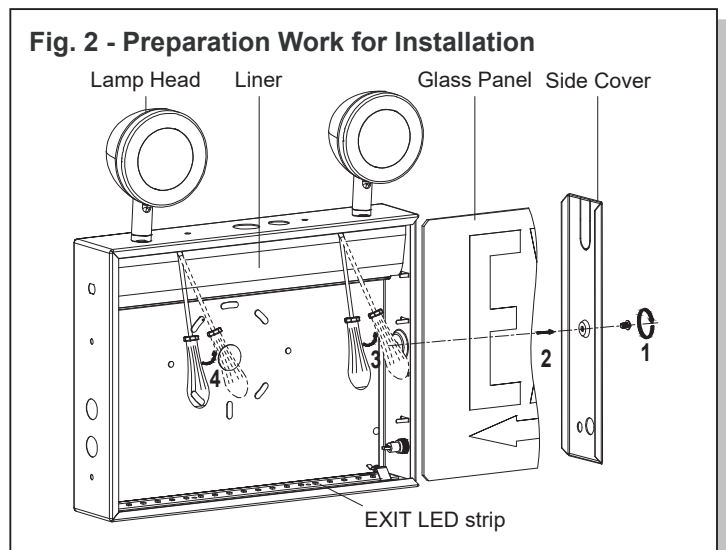
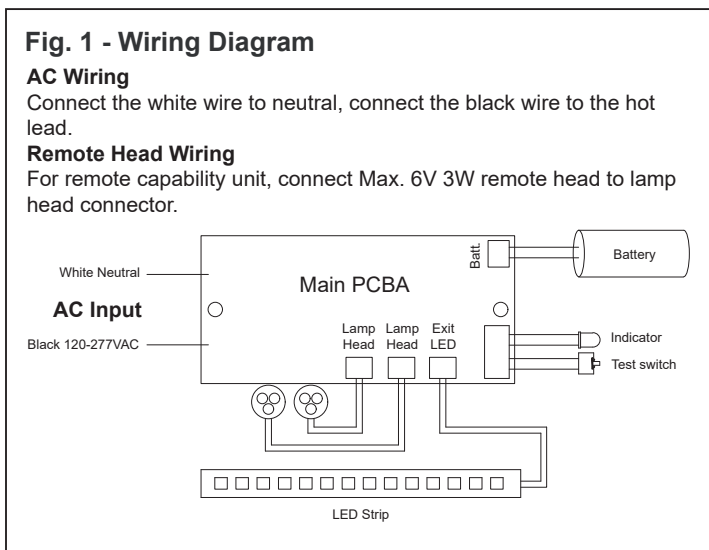
SAVE THESE INSTRUCTIONS!

Technical Support ■ (623) 580-8943 ■ technicalsupport@barronltg.com

Maintenance and Operation

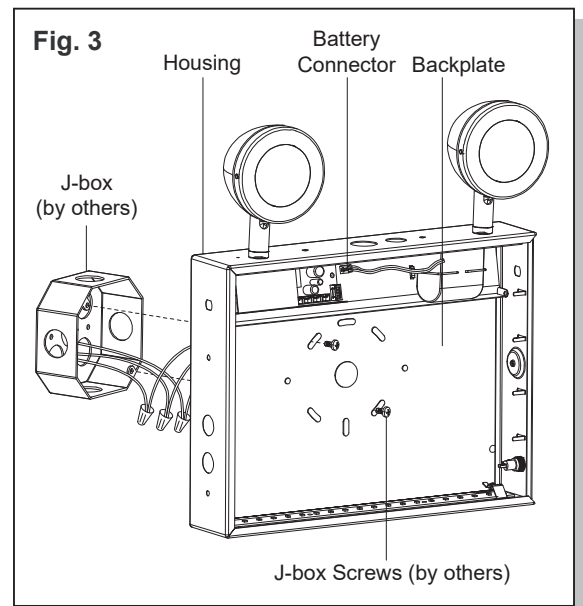
1. To test self-powered units, depress test switch, EXIT and lamp heads will remain lit when switched to battery power.
2. Release test switch, EXIT will operate with AC supply.
3. Servicing of any parts should be performed by qualified personnel. For replacement parts see fixture label for proper identification of manufactory.
4. Replace batteries according to ambient conditions. Equipment should be tested regularly in accordance with local codes.

CAUTION: This equipment used special circuit diagram to protection for LiFePO4 battery overcharge and over discharge. Allow 24 hour recharge time after installation or power failure for full load testing.



Wall Mount (Fig. 3)

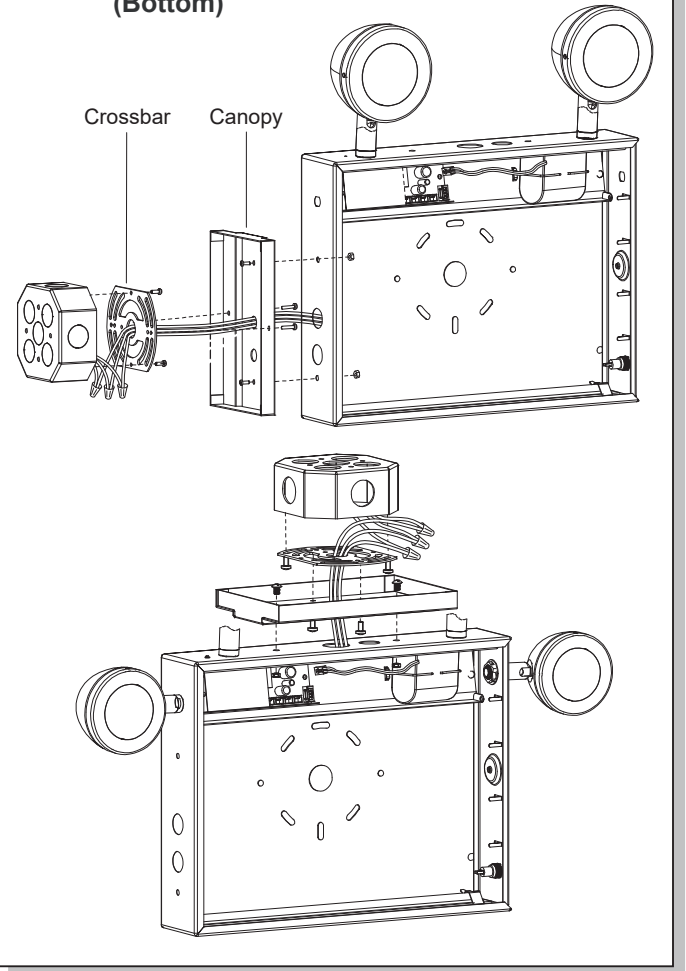
1. Extend unswitched 24 hour AC supply of rated voltage to J-box. Leave at least 18" of slack. Circuit should not be energized at this time.
2. Disassemble glass panel by removing the screw holding side cover, use flat type screwdriver to open the liner.
3. Knock out the appropriate mounting pattern and wire pass hole to match J-box. Insert bushing into wire access hole to prevent abrasion on supply wires, bring wires through back of fixture.
4. Connect power supply and ground in accordance with local codes. Neutral line to white lead, 120VAC or 277VAC live line to black lead, ground to green lead. Connections must be press in J-box.
5. Mount to J-box.
6. Reconnect battery connector.
7. Energize AC supply, LED will come on.
8. Fasten liner back, slide the glass panel back to housing, assembly side cover by screw.



Ceiling or End Mount (Fig. 4)

1. Extend unswitched AC supply of rated voltage to J-box.
Leave at least 18" of slack. Circuit should not be energized at this time.
2. Disassemble glass panel by removing the screw holding the side cover, use flat type screwdriver to open the liner.
3. Knock out the appropriate mounting pattern on top or side of sign to accommodate canopy.
4. Fasten canopy to exit housing by means of two #8-32 x 3/8" screws and nuts.
5. Mount crossbar to J-box by choosing proper slots and using screws supplied with J-box.
6. Feed wires through exit canopy combine and fixture center of crossbar.
7. Connect power supply and ground in accordance with local codes. Neutral line to white lead, 120VAC or 277VAC live line to black lead, ground to green lead connections must be press in J-box.
8. Mount exit canopy combine to crossbar using two #8-32 x 1" screws.
9. When side mounting, route wires along top and side edges of exit frame.
10. Reconnect battery connector.
11. Energize AC supply, LED will come on.
12. Fasten liner back, slide the glass panel into the housing, assembly side cover and screw.

Fig. 4 - End Mount (Top) and Ceiling Mount (Bottom)



Conduit Mount (Fig. 5)

1. Extend unswitched AC supply of rated voltage to conduit. Leave at least 18" of slack. Circuit should not be energized at this time.
2. Disassemble glass panel by removing the screw holding the side cover, use flat type screwdriver to open the liner.
3. Knock out the mounting pattern on top of the sign housing.
4. Feed wires through the center hole and fasten conduit to exit housing by conduit nut.
5. Connect power supply and ground in accordance with local codes. Neutral line to white lead, 120VAC or 277VAC live line to black lead, ground to green lead, connections must be press in the liner.
6. Reconnect battery connector.
7. Energize AC supply, LED will come on.
8. Fasten liner back, slide the glass panel into the housing, assembly side cover and screw.

