

DESCRIPTION

5" Diameter surface dome light solution designed to fit most standard 3" and 4" recessed housings or mount directly to standard 4" junction box.

SPECIFICATIONS

Construction:

- Surface mount dome used with 3" and 4" housings
- Compatible with non-insulated and airtight ceilings
- Durable white thermoplastic construction
- E26 Medium screw-base Edison connector provides easy retrofit of incandescent housings

Optics/ LEDs:

- Long-life LEDs with up to 50,000 hours at 70% lumen maintenance
- Choice of 3000K (±145) or 4000K (±245) color temperature with 80 CRI
- Produces 700 lumens of soft, uniform illumination
- Uses high-power, high-quality LEDs

Electrical:

- LED driver dimmable down to 10% with most dimmers (Lutron Maestro C-L MACL-153MR, Lutron Skylark C-L SCL-153P, Leviton Sureslide Cat. No.6674, Lutron PD-6WCL, Legrand Harmony HCL453PTCCCV6)
- Saves 75% compared to incandescent sources
- 120V, 50/60Hz
- Power factor ≥ 0.90
- 8 Watts power consumption
- Operating temperature: -20°C to 40°C (-4°F to 104°F)

Installation:

- Easy installation in 3" to 4" recessed housings or direct mounting to 4" junction box with mounting bracket (included)
- Cut-off and strip for 4" junction box mounting using mounting bracket

Testing & Compliance:

- Tested in accordance with IESNA LM79 & LM80
- cETLus Listed for Wet Locations
- Energy Star Qualified
- Passes FCC Class B
- Meets state of California Title 24 requirements

Warranty:

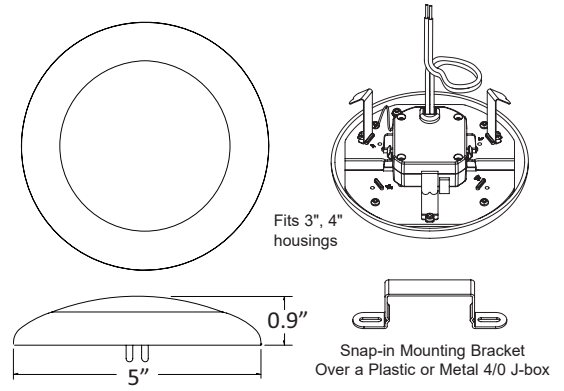
- Five year warranty (terms and conditions apply)

Note: Environment and application will affect actual performance. Typical values and 25°C used for testing. Specifications subject to change without notice.

Model: _____ Date: _____
Accessories: _____
Job Name: _____ Type: _____



Dimensions



Ordering Information

| SKUs | Description |
|------------------------|---------------------------------------|
| BRK-LED34-DL-8W-3K-ECO | 3"- 4" LED Dome Light/Trim, 3000K CCT |
| BRK-LED34-DL-8W-4K-ECO | 3"- 4" LED Dome Light/Trim, 4000K CCT |