

DESCRIPTION

4" Dedicated IC housing is available for New Construction and Remodel applications and suitable for direct contact with insulation. Air-Tight construction reduces energy costs by reducing the amount of air leakage through the ceiling.

NEW CONSTRUCTION SPECIFICATIONS

Construction:

- Galvanized steel construction with removable housing for easy access to the junction box
- Pre-installed nails in bar hangers easily install in regular and engineered lumber joists
- Adjustable bar hangers from 13⁵/₈" – 25" can be repositioned 90° on plaster frame

REMODEL SPECIFICATIONS

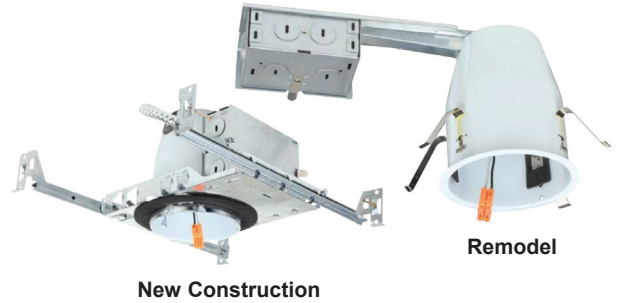
Construction:

- Installs into existing drywall or wood ceilings with no access from above
- Four remodel clips secure housing and accommodates 1/2" to 5/8" ceiling thickness

FEATURES:

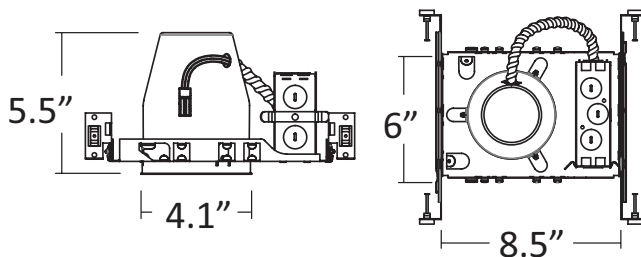
- Contains one (1) 1 1/8", six (6) 3/8" and four (4) romex pry-outs with strain relief
- UL listed for Damp Locations
- UL listed for feed-through/through-branch circuit wiring
- Certified under ASTM-E283 for air-tight construction
- Energy star qualified
- Meets the state of California Title 24 Requirements
- Features quick-connect adapter

Model: _____ Date: _____
 Accessories: _____
 Job Name: _____ Type: _____

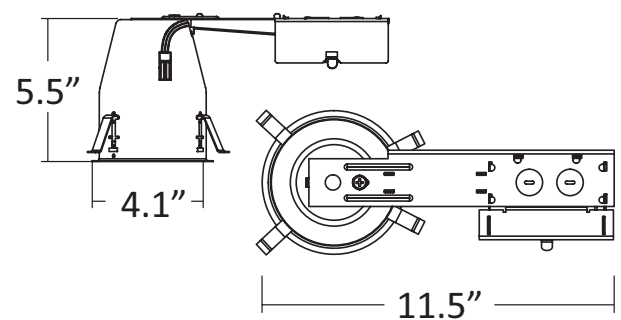


Dimensions

New Construction



Remodel



Ordering Information

SKUs	Description
BL4ICLED-NND	4" IC LED Recessed housing for new construction
BL4ICLED-RND	4" IC LED Recessed housing for remodel applications