

The 900EX Series exit features an architectural, slim design to fit into any environment. Attractive and functional, the 900EX Series is completely self-contained and utilizes reliable, energy-efficient LED illumination.

Model: _____ Date: _____
Accessories: _____
Job Name: _____ Type: _____

FEATURES AND BENEFITS

- Attractive specification-grade aluminum design
- Ceiling recessed, wall recessed, surface ceiling, end or wall mount
- Field-selectable directional chevrons included for all configurations
- Custom legends available
- Assembled in the USA with global components (with USA option)

SPECIFICATIONS

Illumination: Constant, uniform illumination by long-life, high-intensity green or red LEDs

Housing: Specification-grade aluminum design

Input: 120/277VAC Dual primary, 60Hz input

Battery: Maintenance-free NiCad batteries

Run Time: UL 924 Listed 90 minute emergency run time, 24 hour recharge

Mounting: Ceiling recessed, wall recessed, surface ceiling, end or wall mount

Finishes: Black, Brushed Aluminum or White

Options: G2 - Guardian Self-test/Self-diagnostics
IV - Inverted Mount EXIT Panel
USA - Assembled in USA with Global Components

Operating Temp: 10°C to 40°C (50°F to 104°F)

Certifications: UL 924 Listed for Damp Locations and meets or exceeds the following: NEC requirements and NFPA 101

Warranty: Any component that fails due to a manufacturing defect is guaranteed for 25 years with a separate five year prorated warranty on the battery. The warranty does not cover physical damage, abuse or instances of uncontrollable natural forces. See the full Exitronix warranty document for detailed information. (Terms and Conditions apply)



Custom legends available



ORDERING INFORMATION Example: 902EX-U-WB-RM-BA-G2

Series	Mounting	Power Source	Panel Color	Finish	Options (Factory Installed)
902EX = Single-face	R = Recessed	LB = AC Only	GC = Green Letters/Clear Panel	BA = Brushed Alum.	G2 ⁴ = Self-test/Self-diagnostics
903EX ¹ = Double-face	U = Universal Surface	WB = NiCad	GM = Green Letters/Mirror Panel	BL = Black	IV ⁵ = Inverted Mount EXIT Panel
	WR ² = Wall Recessed	2CI ³ = 2 Circuit Input 120/277VAC	GW = Green Letters/White Panel	WH = White	USA = Assembled in USA
			RC = Red Letters/Clear Panel		
			RM = Red Letters/Mirror Panel		
			RW = Red Letters/White Panel		

Notes		Accessories ⁶ (Field Installed)
¹ Double-face available with white or mirror panel only	<p>Note: See Specialty Signage specification for custom/alternate legends</p>	ER1-KIT = 1' Pendant Mount Kit
² Single-face, clear panels only (RC or GC), not a UL Listed option		ER2-KIT = 2' Pendant Mount Kit
³ 2CI not available with G2 option		
⁴ Available with NiCad only (select WB power source)		
⁵ Not available with WR mounting, IV is not a UL Listed option		
⁶ Order as separate line item, surface mount only		

ELECTRICAL RATINGS

Model	NiCad Battery	Brownout	Low Voltage Disconnect	Overload Disconnect	Short Circuit Disconnect	Solid State Transfer	Input				Remote Capability
							VAC	Hz	mA	W	
902EX-X-LB-(RC/RM/RW)-XX	n/a	No	No	No	No	No	120/277	60	28/13	2.38	n/a
903EX-X-LB-(RM/RW)-XX	n/a	No	No	No	No	No	120/277	60	28/13	2.38	n/a
902EX-X-LB-(GC/GM/GW)-XX	n/a	No	No	No	No	No	120/277	60	28/13	2.39	n/a
903EX-X-LB-(GM/GW)-XX	n/a	No	No	No	No	No	120/277	60	28/13	2.39	n/a
902EX-X-WB-(RC/RM/RW)-XX	4.8V, 300mA	No	Yes	No	No	Yes	120/277	60	31/14	3.14	n/a
903EX-X-WB-(RM/RW)-XX	4.8V, 300mA	No	Yes	No	No	Yes	120/277	60	31/14	3.14	n/a
902EX-X-WB-(GC/GM/GW)-XX	4.8V, 300mA	No	Yes	No	No	Yes	120/277	60	33/15	2.94	n/a
903EX-X-WB-(GM/GW)-XX	4.8V, 300mA	No	Yes	No	No	Yes	120/277	60	33/15	2.94	n/a
902EX-X-WB-(RC/RM/RW)-XX-G2	3.6V, 300mA	No	Yes	Yes	No	Yes	120/277	60	37/17	4.1	n/a
903EX-X-WB-(RM/RW)-XX-G2	3.6V, 300mA	No	Yes	Yes	No	Yes	120/277	60	37/17	4.1	n/a
902EX-X-WB-(GC/GM/GW)-XX-G2	3.6V, 300mA	No	Yes	Yes	No	Yes	120/277	60	39/18	4.32	n/a
903EX-X-WB-(GM/GW)-XX-G2	3.6V, 300mA	No	Yes	Yes	No	Yes	120/277	60	39/18	4.32	n/a
902EX-X-2Ci11-(RC/RM/RW)-XX	n/a	No	No	No	No	No	120/277	60	30/14	1.84	n/a
903EX-X-2Ci11-(RM/RW)-XX	n/a	No	No	No	No	No	120/277	60	30/14	1.84	n/a
902EX-X-2Ci11-(GC/GM/GW)-XX	n/a	No	No	No	No	No	120/277	60	27/12	1.7	n/a
903EX-X-2Ci11-(GM/GW)-XX	n/a	No	No	No	No	No	120/277	60	27/12	1.7	n/a

CONSTRUCTION

Surface Mounting: Engineering grade aluminum extrusion with mounting canopy in either a powder coated or brushed aluminum finish

Recessed Mounting: Galvanized steel enclosure supplied with a trim plate and adjustable bar hanger

Panels constructed of high quality clear acrylic for maximum light output. Exit letters are 6" high with a 3/4" stroke. Double-face panels are supplied with a mirror or white separator. Units are supplied with field selectable directional chevrons for all configurations.

ILLUMINATION

Illumination of the 900EX Series is accomplished utilizing high-intensity, long-life LEDs. LEDs are a maintenance-free solution.

ELECTRICAL

Input

Dual-voltage input 120 or 277VAC @ 50/60Hz.

Nickel Cadmium - NiCad (WB)

Exitronix NiCad batteries are maintenance-free.

Emergency

The 900EX Series exit will operate for a minimum of 90 minutes during a loss of power with a 24 hour maximum recharge time for the battery.

Two-Circuit Operation (Power Source: 2CI)

Two-Circuit input allows for a primary and auxiliary power source to be connected to the emergency unit that does not contain a battery. Applications include those with inverters or alternate backup power sources.

Test Button

The test button is easy to locate and provides manual verification of the transfer circuit and emergency lamps.

INSTALLATION

Installs in minutes with easy-to-read instructions and detailed diagrams. No special hardware or tools necessary. Internally housed components and battery.

Specialty Signage

For custom/alternate legends, see our [Specialty Signage](#) specifications.

OPTIONS

Guardian Self-Test/Self-Diagnostics (Option: G2)

The Guardian bi-color circuit is factory preset; without any field adjustments needed. It continuously monitors the performance condition of the AC power, battery supply, and charging circuitry.

The intent of this option is to provide visual signaling to identify fault at the Exit. Fault indicators are as follows:

- Green: On/Ready
Blinking: Testing
- Red: Service Alert
- Service Alert LED Codes (Red LED Lamp Indicator)

•	One blink, 4 second pause	Battery not connected
••	Two blinks, 4 second pause	Battery voltage too low
•••	Three blinks, 4 second pause	Charging circuit failure
••••	Four blinks, 4 second pause	Transfer function failure
••••••	Seven blinks, 4 second pause	LED strip failure

NOTE: After solving the fault of the emergency equipment, press the test button for two seconds without releasing to reset. LED indicator will show green.

Self-testing/Self-diagnostics also has a manual test function, press test button as follows:

Press test button once	30 Second discharge test
Press test button twice within two seconds	3 Minute discharge test
Press test button three times within two seconds	30 Minute discharge test
Press test button four times within two seconds	90 Minute discharge test

Inverted Mount EXIT Panel (Option: IV)

The IV option is designed were the panel is inverted to allow the enclosure to be installed on a ledge application.

Assembled in USA (Option: USA)

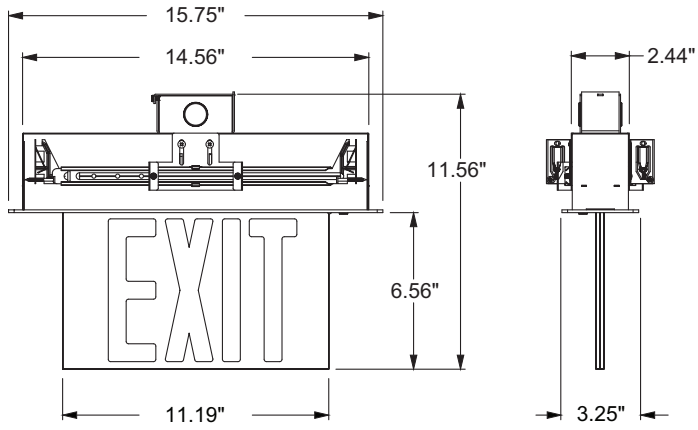
The 900EX can be assembled in the USA with global components.

CONFORMANCE TO CODES & STANDARDS

The 900EX Series is UL 924 Listed for Damp Locations and meets or exceeds the following: NEC requirements and NFPA 101.

DIMENSIONS

Recessed Mount



Surface Mount

