

IMPORTANT SAFEGUARDS READ AND FOLLOW ALL SAFETY INSTRUCTIONS.

When using electrical equipment, basic safety precautions should always be followed including the following:

- **DISCONNECT AC POWER SUPPLY BEFORE SERVICING.**
- Installation and servicing of this equipment should be performed by qualified service personnel only.
- Ensure that the electrical wiring conforms to the National Electrical Code NEC® and local regulations if applicable.
- For use with metal enclosure wiring systems.
- Do not mount near gas or electrical heaters.
- Do not use outdoors.
- Equipment should be mounted in locations and at heights where it will not be readily subjected to tampering by unauthorized personnel.
- The use of accessory equipment not recommended by the manufacturer may cause an unsafe condition.
- Any modification or use of non-original components will void the warranty and product liability.
- Do not use this equipment for other than intended use.
- Use caution when servicing batteries. Battery acid can cause burns to skin and eyes. If acid is spilled on skin or eyes, flush acid with fresh water and contact a physician immediately.
- Allow battery to charge for 24 hours before first use.

SAVE THESE INSTRUCTIONS!

Technical Support ■ (623) 580-8943 ■ technicalsupport@barronltg.com

900EX Series

Installation Instructions

Recessed Ceiling Installation

1. Cut a 2 $\frac{3}{4}$ " x 15" opening in the ceiling or wall. Ensure that the opening is less than the trimplate dimensions of 3" x 15 $\frac{1}{2}$ ".
2. Remove the trimplate and homeplate assembly from the recessed housing by loosening the flat screws and set aside. (Fig. 1)
3. Position recessed kits and bar hangers between joists. Make sure bar hangers are in the correct position. Position recessed kits temporarily by hammering "nail-in" tabs on bar hangers, then secure permanently with nails. Bar hangers should be level with bottom of joists. (Fig. 2)
4. Adjust height of recessed kits vertically using adjusting slots and then tightening all screws on adjusting slots and bar hanger bracket to secure adjusting bracket and bar hangers .
5. Connect the battery to the PCB, if applicable. (Fig. 3)
6. Route the wires out through the knockout hole and make electrical connections; see **Electrical Connections** section.
7. Re-attach the homeplate assembly and trimplate on the recessed housing by using original screws.

Electrical Connections

Note: Cap off the UNUSED input lead. Failure to do so can cause an unsafe operating condition.

- If using 120VAC, connect the black and white wires to the building utility.
- If using 277VAC, connect the orange and white wires to the building utility.
- For **AC Input Only** please refer to (Fig. 4)
- For **Emergency Battery Backup** please refer to (Fig. 4)
- For **Dual AC Input Only** please refer to (Fig. 5)

Chevron Placement (Fig. 6)

- If chevron is needed remove only the instruction film.
- If no chevron is needed, remove both the instruction film and chevron together.

Fig. 1

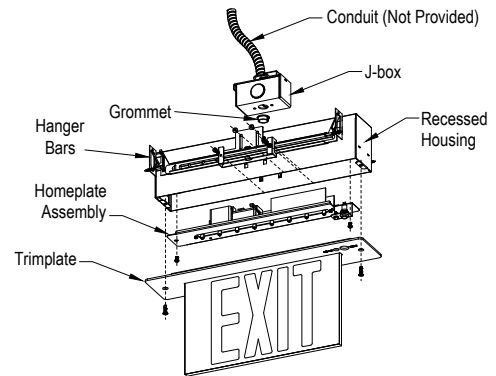


Fig. 2

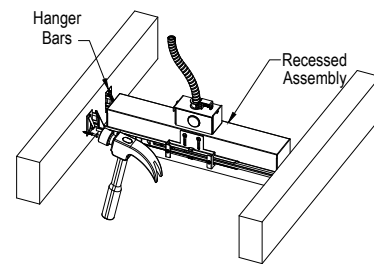


Fig. 3

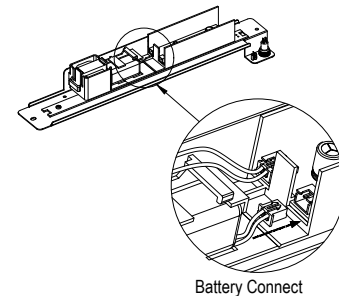


Fig. 4

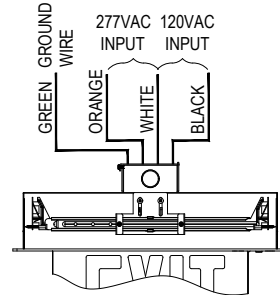


Fig. 5

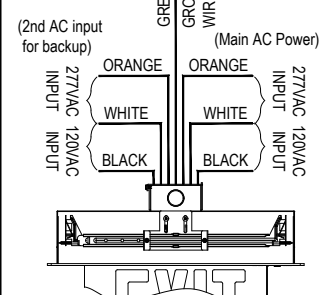
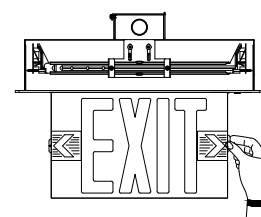


Fig. 6



Self-Test/Self-Diagnostics (G2)

Operation

The battery in this unit may not be fully charged. After electricity is connected to the unit for at least 24 hours, then normal operation of this unit should take effect. To check, press the “TEST” button. The EXIT sign should stay illuminated by battery backup and the LED indicator will be turned off. Release the “TEST” button, LED indicator will be turned on.

In accordance with NFPA 101, your emergency lighting system must be tested monthly for a minimum of 30 seconds and annually for 90 minutes. Refer to your local codes for any additional requirements that may apply.

Testing and Reporting Instructions

1. When AC power is supplied to fixture, the unit will automatically initiate a self-test and self-diagnostic test as follows:
 - Verifies battery disconnection, charger board failure at every 5 seconds.
 - 1 minute self-testing every month.
 - 30 minutes self-testing on every 6 months after installation.
 - 90 minutes self-testing on every 12 months after installation.
2. Dual color LED lamp indicator shows the following status:
 - Green color: On / Ready
 blinking: Testing
 - Red color: (Service Alert)
 - Service Alert LED Code (Red color LED lamp indicator)

●	One blink, 4 second pause	Battery is not connected
● ●	Two blinks, 4 second pause	Battery voltage too low
● ● ●	Three blinks, 4 second pause	Charger board circuit failure
● ● ● ●	Four blinks, 4 second pause	Transfer function failure
● ● ● ● ● ● ●	Seven blinks, 4 second pause	LED strip failure

Note: After solving the fault of emergency equipment, please press test button for 2 seconds then release to reset. LED indicator will show green.

3. “-G2” models also have a manual test function, press test button as follows:

Press test button once	(within 2 seconds)	30 seconds discharge test
Press test button twice	(within 2 seconds)	3 minutes discharge test
Press test button 3 times	(within 2 seconds)	30 minutes discharge test
Press test button 4 times	(within 2 seconds)	90 minutes discharge test