



## IMPORTANT SAFEGUARDS READ AND FOLLOW ALL SAFETY INSTRUCTIONS.

When using electrical equipment, basic safety precautions should always be followed including the following:

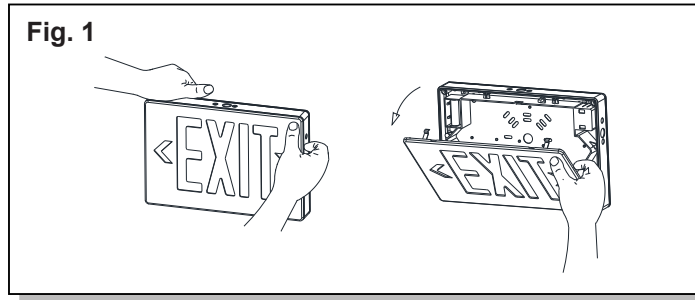
- **DISCONNECT AC POWER SUPPLY BEFORE SERVICING.**
- Installation and servicing of this equipment should be performed by qualified service personnel only.
- Ensure that the electrical wiring conforms to the National Electrical Code NEC® and local regulations if applicable.
- Do not mount near gas or electrical heaters.
- Do not use outdoors.
- Equipment should be mounted in locations and at heights where it will not be readily subjected to tampering by unauthorized personnel.
- The use of accessory equipment not recommended by the manufacturer may cause an unsafe condition.
- Any modification or use of non-original components will void the warranty and product liability.
- Do not use this equipment for other than intended use.
- Allow battery to charge for 24 hours before first use.
- For use with metal enclosed wiring systems.

## SAVE THESE INSTRUCTIONS!

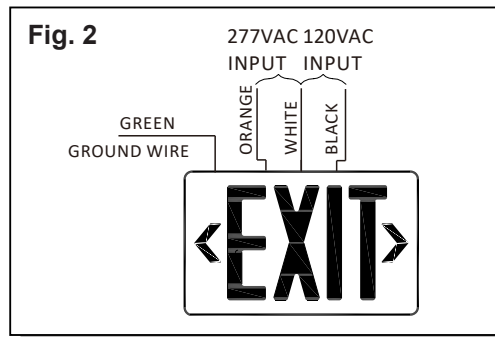
Technical Support ■ (623) 580-8943 ■ [technicalsupport@barronltg.com](mailto:technicalsupport@barronltg.com)

### Ceiling (Fig. 4) or Side (Fig. 5) Installation

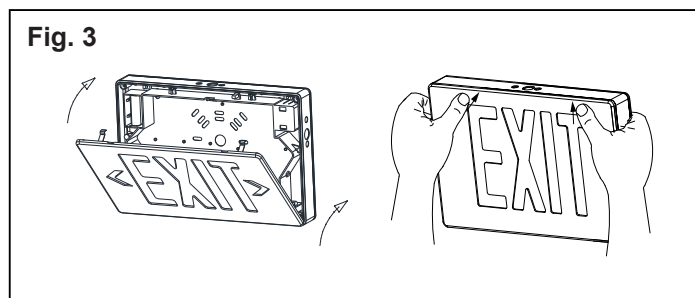
1. Open EXIT panel from the housing and remove the hole plugs from the top (or side) of the housing, if necessary. (Fig. 1)



2. Remove the proper directional chevron(s) from the EXIT panel(s) carefully, if necessary.  
**Note:** Carefully remove knock outs only, otherwise it may cause damage on the surface.
3. For Double Face:
  - a. Remove the back plate from the housing by removing housing screws (4 pcs) at the corner of the Exit housing.
  - b. Then assemble the additional EXIT panel using the housing screws (4 pcs) with the housing.  
**Note:** The additional EXIT panel does not have any clips.
4. Secure canopy to the housing using hole numbers "2" and "3" on the canopy with provided canopy screws ((2) # 10-24 screws).
5. Feed AC supply leads through top (or side) hole on the housing and the crossbar, then make the proper supply lead connections. If using 120VAC, connect the black and white leads to the building utility. If using 277VAC, connect the orange and white leads to the building utility. Cap off unused wire. If the unit is self-powered, be sure to snap battery connector together. During installation, use the enclosed "holding wire" for assistance. (Fig. 2)

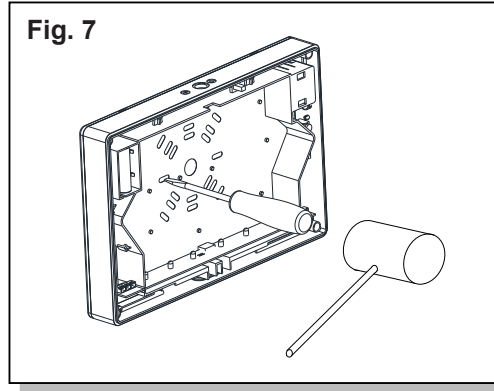


6. Push excess wire into junction box and align holes in canopy with those in crossbar. Using screws supplied, tighten canopy to crossbar so that the canopy is securely fastened and tight against the ceiling (or wall).
7. Snap EXIT panel back into the housing, bottom first then top. (Fig. 3)

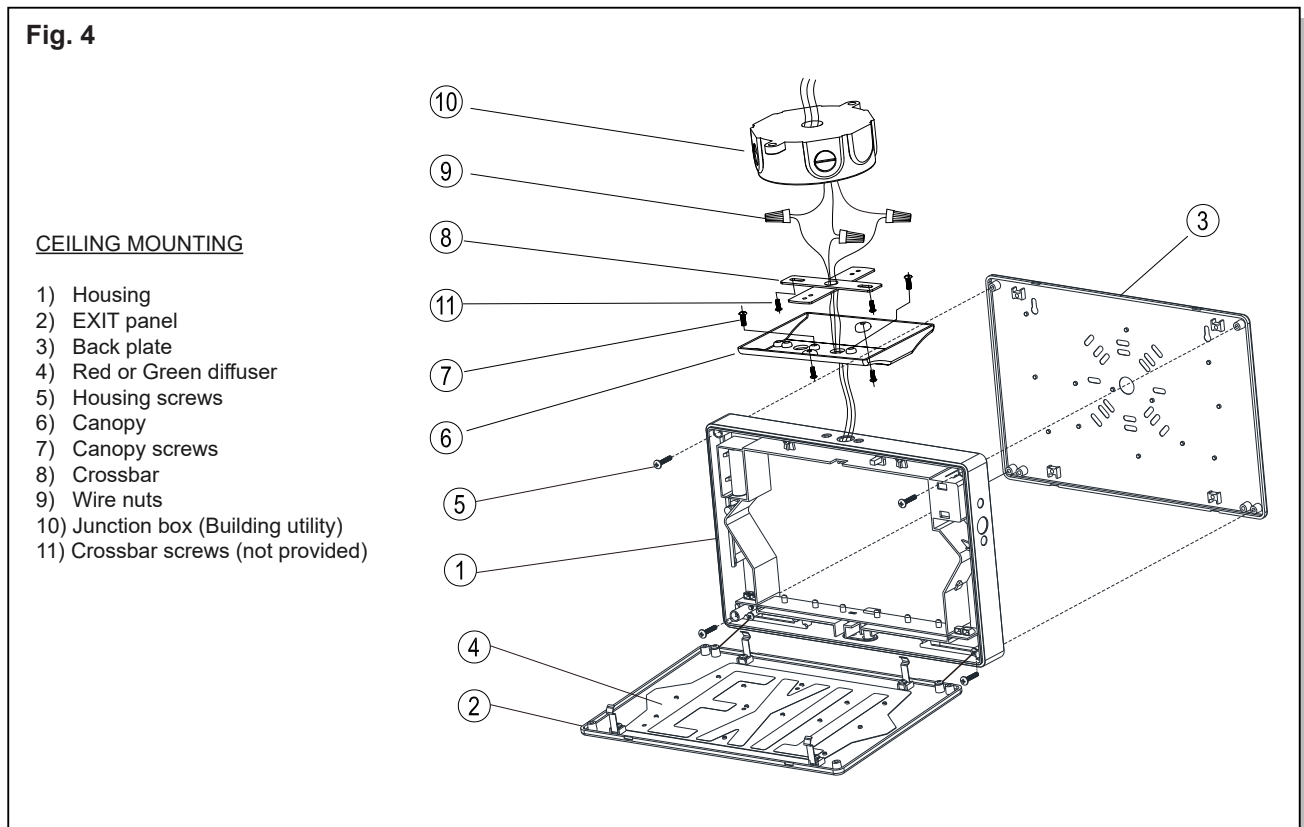


### Wall Installation (Fig. 6)

1. Open EXIT panel from the housing and remove the proper directional chevron(s) from the EXIT panel carefully, if necessary. (Fig. 1)
2. Remove the knock out hole on the center of the back plate. Then remove the oblong knock outs on the back plate that correspond to the junction box holes to be used. The knock out holes will be easily removed when it is removed from the outside of the back plate (Fig. 7)



3. Feed AAC supply leads through the center hole on the back plate, then make the proper lead connections. If using 120VAC, connect the black and white leads to the building utility. If using 277VAC, connect the orange and white leads to the building utility. Cap off unused wire. If the unit is self-powered, be sure to snap the battery connector together. (Fig 2)
4. Feed excess wire into junction box and secure back plate to junction box.
5. Snap EXIT panel into housing, bottom first and then top (Fig. 3)

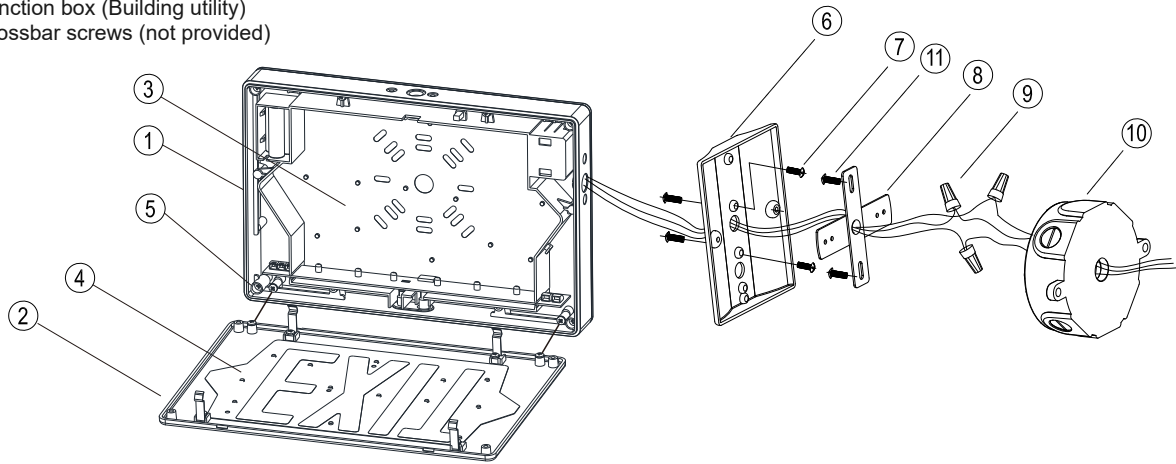
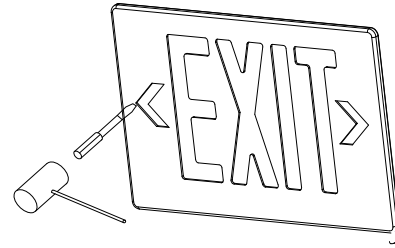


**Fig. 5**

**SIDE MOUNTING**

- 1) Housing
- 2) EXIT panel
- 3) Back plate
- 4) Red or Green diffuser
- 5) Housing screws
- 6) Canopy
- 7) Canopy screws
- 8) Crossbar
- 9) Wire nuts
- 10) Junction box (Building utility)
- 11) Crossbar screws (not provided)

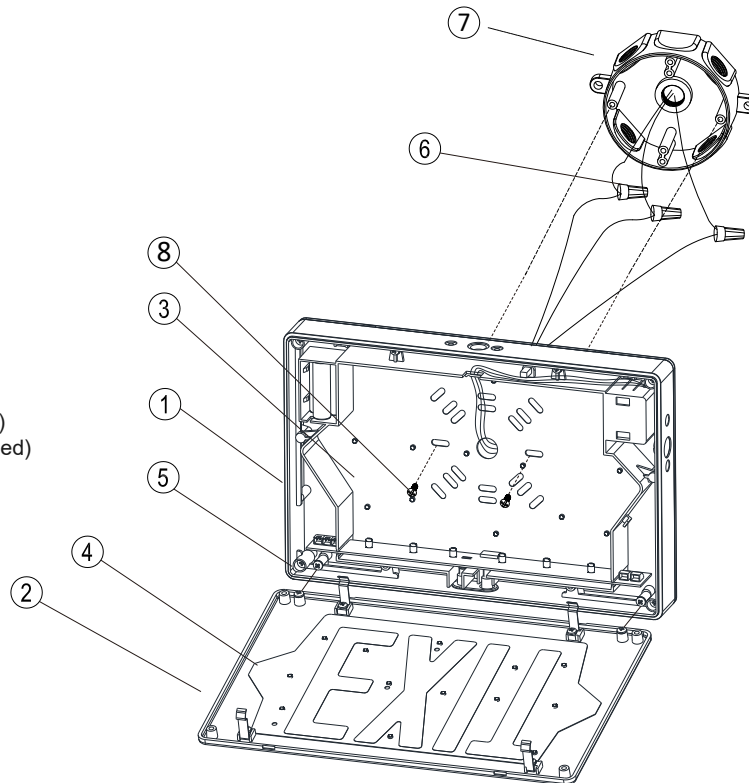
NOTE: First remove the diffuser, then knock out the chosen chevron frame from the EXIT panel gently.



**Fig. 6**

**BACK MOUNTING**

- 1) Housing
- 2) EXIT panel
- 3) Back plate
- 4) Red or Green diffuser
- 5) Housing screws
- 6) Wire nuts
- 7) Junction box (Building utility)
- 8) Crossbar screws (not provided)



### Operation

The battery in this unit may not be fully charged. After electricity is connected to the unit for at least 24 hours, then normal operation of this unit should take effect. To check, press the "TEST" button. The EXIT sign should stay illuminated.

In accordance with NFPA 101, your emergency lighting system must be tested monthly for a minimum of 30 seconds and annually for 90 minutes. Refer to your local codes for any additional requirements that may apply.

### Testing and Reporting Instructions (-G2 and -G3 models)

1. Dual color LED lamp indicator shows the following status:

- Green color: On / Ready  
    blinking: Testing
- Red color: (Service Alert)
- Service Alert LED Code (Red color LED lamp indicator)

●	One blink, 4 second pause	Battery is not connected
● ●	Two blinks, 4 second pause	Battery voltage too low
● ● ●	Three blinks, 4 second pause	Charger board circuit failure
● ● ● ●	Four blinks, 4 second pause	Transfer function failure
● ● ● ● ● ● ●	Seven blinks, 4 second pause	LED strip failure

**Note:** After solving the fault of emergency equipment, please press test button for 2 seconds then release to reset. LED indicator will show green.

2. "-G2" and "-G3" models also have a manual test function, press test button as follows:

Press test button once	30 seconds discharge test
Press test button twice within 2 seconds	3 minutes discharge test
Press test button 3 times within 2 seconds	30 minutes discharge test
Press test button 4 times within 2 seconds	90 minutes discharge test

### Networking Operations for "-G3" Models

Model with "-G3" suffix is our world winning design equipped with "wireless testing and reporting" features. Unit that has "-G3" suffix in its model number is capable of joining **Guardian** emergency lighting management system. It will be part of a large testing system to be tested and report result wirelessly.

Once powered up and commissioning allowed, unit will automatically join **Guardian** network and get provisioned. Upon the completion of the commissioning, unit will perform testing and report based on set schedules.

For more information about commissioning, configurations and testing, please visit website, <https://www.barronltg.com> for details.

If you have problem to initiate provisioning or if you know the unit belongs to other **Guardian** network. Please follow the instructions below to reset the fixture and make it in a factory state:

- Press and hold the test button for over 8 seconds, and the fixture will leave the network and reset itself.